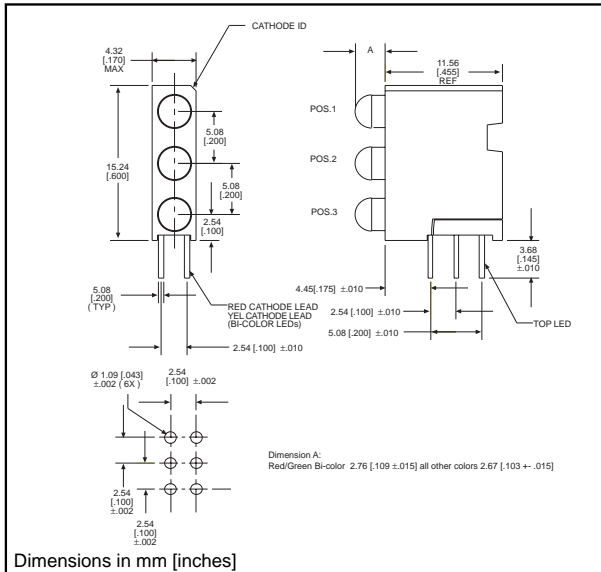


**3mm**  
**LED CBI® Circuit Board Indicator**  
**Tri-Level**

**Dialight**  
**564-0x00-xxx**



**Features**

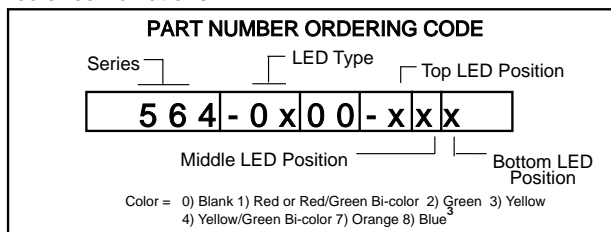
- Multiple CBIs form horizontal LED arrays on 4.45mm (0.175") center-lines.
- High Contrast, UL 94 V-0 rated, black housing
- Oxygen index: 29%
- Polymer content: PBT, 0.078 g
- Housing stand-offs facilitate PCB cleaning
- Solderability per MIL-STD-202F, method 208F
- LEDs are safe for direct viewing per IEC 825-1, EN-60825-1

**Tolerance note: As noted, otherwise:**

- LED Protrusion:  $\pm 0.04$  mm [ $\pm 0.016$ ]
- CBI Housing:  $\pm 0.02$ mm [ $\pm 0.008$ ]

**Custom Combinations**

- Contact factory for information on custom color combinations



**PART NO.**

**COLOR\***

**HIGH EFFICIENCY - LED TYPE 01**

- 564-0100-111 Red-Red-Red
- 564-0100-132 Red-Yellow-Green
- 564-0100-222 Green-Green-Green
- 564-0100-777 Orange-Orange-Orange
- 564-0100-999 Blue-Blue-Blue



**LOW CURRENT - LED TYPE 02**

- 564-0200-111 Red-Red-Red
- 564-0200-132 Red-Yellow-Green
- 564-0200-222 Green-Green-Green

**INTEGRAL RESISTOR, 5 VOLTS - LED TYPE 03**

- 564-0300-111 Red-Red-Red
- 564-0300-132 Red-Yellow-Green
- 564-0300-222 Green-Green-Green



**BI-COLOR - LED TYPE 07**

- 564-0700-111 Red/Green-Red/Green-Red/Green
- 564-0700-444 Yellow/Green-Yellow/Green-Yellow/Green

\* Top-Middle-Bottom LED



**ATTENTION**  
 OBSERVE PRECAUTIONS  
 FOR HANDLING  
 ELECTROSTATIC  
 SENSITIVE  
 DEVICES

## Typical Operating Characteristics (T<sub>A</sub>=25°C)

See LED data sheet for additional information  
See Pages 4-73 and 4-74 for LED Drive Circuit Examples  
See Page 4-72 for Pin Out

### HIGH EFFICIENCY

Part Number	Color	Peak Wavelength nm	I <sub>v</sub> mcd	V <sub>F</sub> Volts	Test Current (mA)	Viewing Angle 2Θ <sub>½</sub>	LED Data sheet	Page #
564-0100-xxx	Red	635	10	2*	10	60°	521-9216	4-58
	Green	565	12.6	2.1*	10	60°	521-9210	4-58
	Yellow	585	10	2.1*	10	60°	521-9211	4-58
	Orange	600	7	2.2	10	60°	521-9498	4-58
	Blue	428	12	3.5	10	70°	521-9831	4-57

\* I<sub>F</sub> = 20mA

### LOW CURRENT

Part Number	Color	Peak Wavelength nm	I <sub>v</sub> mcd	V <sub>F</sub> Volts	Test Current (mA)	Viewing Angle 2Θ <sub>½</sub>	LED Data sheet	Page #
564-0200-xxx	Red	635	1.6	1.7	2	60°	521-9324	4-60
	Green	565	1.6	1.9	2	60°	521-9326	4-60
	Yellow	585	1.6	1.8	2	60°	521-9325	4-60

### INTEGRAL RESISTOR, 5 VOLTS

Part Number	Color	Peak Wavelength nm	I <sub>v</sub> mcd	Test Voltage	Forward Current (mA)	Viewing Angle 2Θ <sub>½</sub>	LED Data sheet	Page #
564-0300-xxx	Red	635	29	5	10	60°	521-9215	4-59
	Green	565	19	5	10	60°	521-9323	4-59
	Yellow	585	12.6	5	10	60°	521-9322	4-59

### BI-COLOR

Part Number	Color	Peak Wavelength nm	I <sub>v</sub> mcd	V <sub>F</sub> Volts	Test Current (mA)	Viewing Angle 2Θ <sub>½</sub>	LED Data sheet	Page #
564-0700-111	Red/Green	635/565	4.7/10	2/2.1	10	50°	521-9459	4-63
564-0700-444	Yellow/Green	585/565	4.3/6.3	2.1*/2.1*	10	80°	521-9478	4-62

\* I<sub>F</sub> = 20mA

## X-ON Electronics

Largest Supplier of Electrical and Electronic Components

*Click to view similar products for [Standard LEDs - SMD category](#):*

*Click to view products by [Dialight manufacturer](#):*

Other Similar products are found below :

[LTST-C19GD2WT](#) [LTST-N683GBEW](#) [597-3006-607F](#) [597-3403-607F](#) [LTW-K140SZR40](#) [LTW-M140ZVS](#) [598-8110-100F](#) [598-8170-100F](#)  
[598-8610-202F](#) [7012X7](#) [AAAF5060QBFSEEZGS](#) [12-22SURSYGC/S530-A3/E2/TR8](#) [1383SURT/S530-A3/TR1\(R\)](#) [APT1608QGW](#)  
[EASV1803BA0](#) [SML310BATT86](#) [SML-512VWT86A](#) [SML-LX0606SISUGC/A](#) [SML-LXL1307SRC-TR](#) [SML-LXR851SIUPGUBC](#)  
[LT1ED53A](#) [17-21/G6C-FM1N2B/3T](#) [FAT801-S](#) [SSL-LXA227IC-TR31A](#) [AM27ZGC03](#) [APB3025SGNC](#) [APHK1608VGCA](#) [APT2012QGW](#)  
[CLMVC-FKA-CA1E1L81BB7C3C3](#) [CLYBA-FKA-CFHHL9BBB7A363](#) [CMD11504UR](#) [LTW-020ZDCG](#) [LTW-21TS5](#) [LTW-K140SZR30](#)  
[HSMY-C177](#) [UYGT801-S](#) [KVH1C100MF6R](#) [42-21SYGC/S530-E1/TR8](#) [YGFR411-H](#) [597-2311-402F](#) [597-2712-602F](#) [5973212407NF](#)  
[597-3302-607F](#) [597-5202-407F](#) [598-8330-117F](#) [SAW8WA2A-L35M40-CA](#) [SML013WBDW1](#) [SML-LX0402IC-TR](#) [CLMVC-FKA-](#)  
[CLBDGL7LBB79353](#) [VLMKG3400-GS08](#)