

BATTERY CONDITION & CHARGING INDICATORS

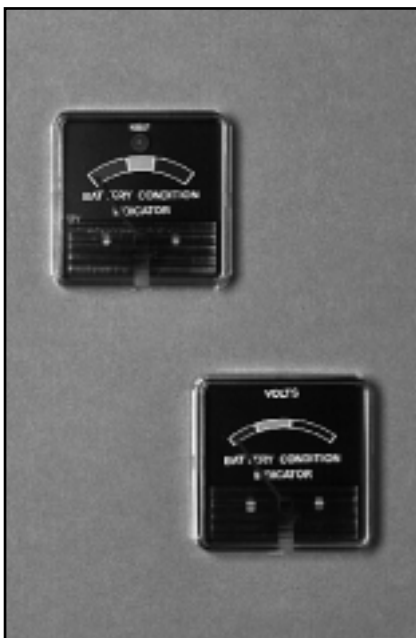
HOBUT

DESCRIPTION A range of ammeters and voltmeters with tough moving magnet or polarised moving iron movements designed for low cost indication of d.c. or rectified a.c.



CE

F3PAM



Application: Suppressed zero battery condition indicators designed to monitor the state of lead acid batteries.

Standard Range:

- 12V (yellow zone 10.5 to 12.5V)
- 24V (yellow zone 21.0 to 25.0V)
- 36V (yellow zone 31.5 to 38.0V)
- 48V (yellow zone 42.0 to 50.5V)

Calibration accuracy:

±8% of range

Movement:

Polarised moving iron

Temperature range:

-20°C to +40°C

Terminations:

6.3 or 4.7mm faston tags

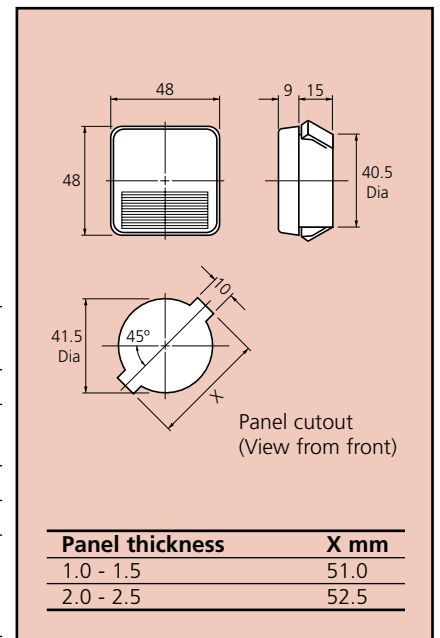
Fixing:

Snap into panel

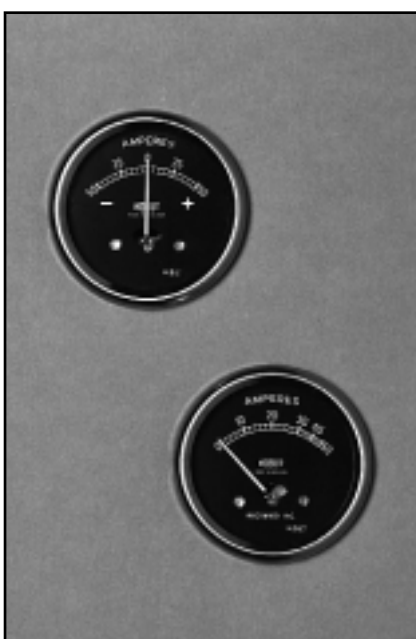
Options:

- High intensity LED indicating system on.
- Black or white dial

Dimensions (mm)



F3DM



Application: Ammeters normally used to indicate charge or discharge currents on vehicle battery charging systems.

Standard Range:

- 0/5A, 0/8A, 0/10A, 0/12A, 0/15A, 0/20A, 0/30A, 0/40A, 0/50A, 0/60A, 0/75A
- 8/0/8A, 12/0/12A, 30/0/30A, 50/0/50A, 60/0/60A

Calibration accuracy:

±8% of f.s.d.

Movement:

Polarised moving iron

Temperature range:

-20°C to +40°C

Terminations:

- 2BA up to 20A
- 1/4 BSF above 20A

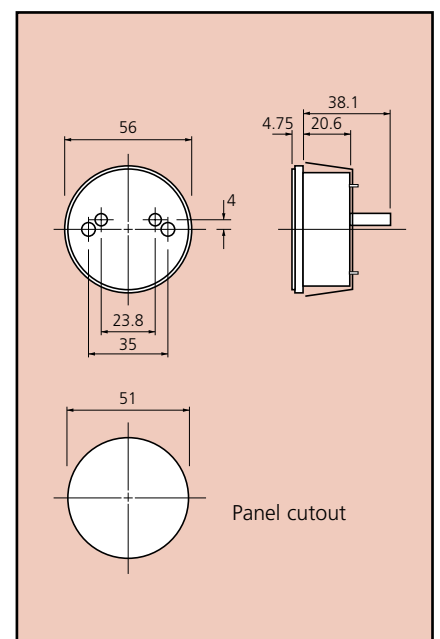
Fixing:

U clip

Options:

- Illumination slots available
- Black or white dial

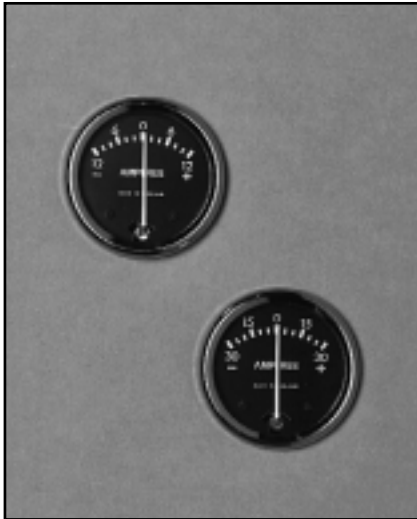
Dimensions (mm)



BATTERY CONDITION & CHARGING INDICATORS

HOBUT

F3VAM



Application: Ammeters normally used to indicate charge or discharge currents on vehicle battery charging systems. Illumination slots supplied as standard.

Standard Range: 8/0/8A, 12/0/12A, 30/0/30A

Calibration accuracy: $\pm 8\%$ of f.s.d.

Movement: Polarised moving iron

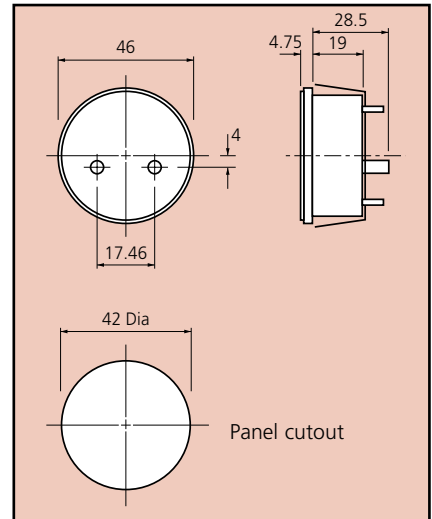
Temperature range: -20°C to $+40^{\circ}\text{C}$

Terminations: 2BA or 4BA studs

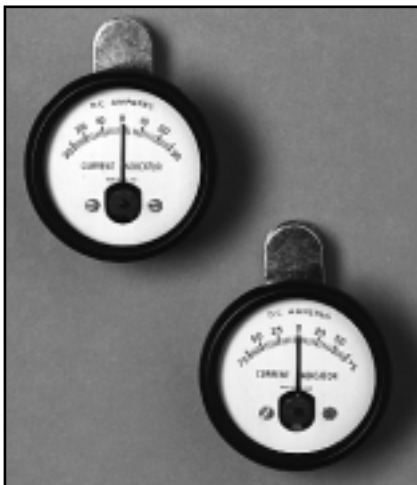
Fixing: U clip (bezel mounting clips available upon request)

Options: Black or white dial

Dimensions (mm)



F3DM/CT



Application: This clip-on meter is designed to give a quick indication of current & direction of flow. There are no connections to be made, it simply clips over the conductor & operates on the induction principle.

Standard Range: 30/0/30A, 75/0/75A
Supplied with white dial

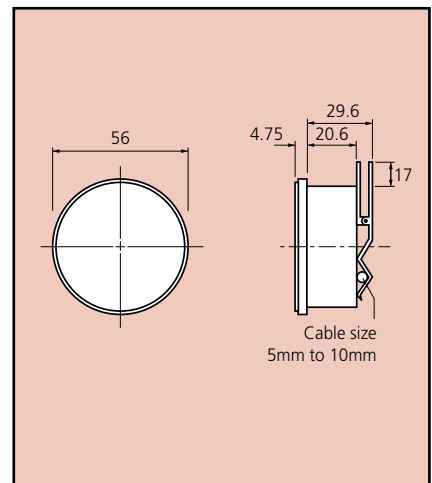
Calibration accuracy: $\pm 10\%$ of f.s.d.

Movement: Moving magnet

Temperature range: -20°C to $+40^{\circ}\text{C}$

Cable size: For best results use with cable sizes 5mm to 10mm diameter

Dimensions (mm)



SPECIAL DIALS



The products detailed in this publication are our standard range, but for large quantity orders, HOBUT engineers will be pleased to work with customers to design individual dials to their specifications.

Our policy is one of continuous development and therefore specifications may change without notice.

HOWARD BUTLER LTD

CROWN WORKS, LINCOLN ROAD
WALSALL WS1 2EB ENGLAND

Tel: 01922 640003 Fax: 01922 723626

International Tel: +44 1922 640003 E-mail: sales@hobut.co.uk

Web: www.hobut.co.uk

X-ON Electronics

Largest Supplier of Electrical and Electronic Components

Click to view similar products for [hobut](#) manufacturer:

Other Similar products are found below :

[PD72MIS500V/2/938-658](#) [M850-LTHN-RS-PO](#) [D48A25](#) [SHB60A60-CLASS 1](#) [CT105F-200/5-2.5/1](#) [CT132TRAN10A-5/10V](#) [CT105F-150/5-2.5/1](#) [D72M50](#) [CT105F-100/5-2.5/1](#) [CT160-5-H7](#) [F3PAM602-15V](#) [CT132TRAN20A-4/20MA](#) [D72D60ADC](#) [F3PAM602-10A](#)
[F3PAM602-20A](#) [F3PAM602-5A](#)