

## 15G Series Plug-in Switch Mode Power Supply Unit

### INPUT

	MINIMUM	NORMAL	MAXIMUM
AC Input Voltage	90V AC	100 – 240V AC	264V AC
AC Input Frequency	47 Hz	50 / 60 Hz	63 Hz
AC Input Current – 230V AC (max)			0.4A
Input Power (max)			21.43W
AC Inrush Current* – 230V AC, 50Hz	No damage shall be incurred and the input fuse shall not blow.		
Primary current protection	An internal fuse on the AC input line is provided.		
Configuration	Wall mount, AU-pin, 2-conductors, <Active, Neutral>		

\* At full-load, 25°C, cold start.

### Power consumption at no load

Input current	≤25mA
Input 230V AC 50 Hz	0.6W max

### OUTPUT

MODEL	5V DC	6V DC	12V DC	15V DC	18V DC
Normal DC Output Voltage	+5V	+6V	+12V	+15V	+18.0V
Maximum Load Current	3.0A	2.5A	1.5A	1.2A	1.0A
Minimum Load Current	0.05A	0.05A	0.05A	0.05A	0.05A
Rated Output Power	15.0W	15.0W	18.0W	18.0W	18.0W
Load Regulation	±5% from 10% to 100% of rated load				
Ripple and Noise *	100mV				
Over-current Protection	Adaptor protected with 200% of rated output.				
Over-voltage Protection	Zener clamp.				
Short-circuit Protection	The adaptor shall not be damaged by shorting the DC output to Ground with auto recovery functioning correctly.				
Hold-up Time (min) **	10mS				
Output over-shoot	<7% of nominal voltage value				
Temperature coefficient	Output voltage temperature coefficient ±0.05%/°C				
Turn-on Delay (max)	2 Seconds				
Rise Time	Start-up rise time of <20mS to rise to within regulation limits				
Efficiency	70% minimum at normal input voltage and full load.				

\* Voltage measured P-P at 20MHz and output parallel with 100nF ceramic & 10uF electrolytic capacitors to ground. Temperature at 25°C and nominal AC input voltage.

\*\* At nominal AC voltage and full load.

**15G Series Plug-in Switch Mode Power Supply Unit****MECHANICAL**

Dimensions	82.0(L) x 43.5(W) x 30.0(D)mm.
Weight	149g maximum.
Input Plug Type	Wall type, SAA 2-pin AS/NZS3112:2000
Output Cord	Wire: 18AWG/2C, 2000mm.
Output Plug	DC Barrel Plug (with fork & groove)

**ENVIRONMENTAL**

Cooling	Natural convection.
Operating Temperature	0°C to +35°C
Storage Temperature	-20°C to +80°C
Operating Humidity	10 ~ 90 % Non-condensing
Storage Humidity	10 ~ 90 % Non-condensing

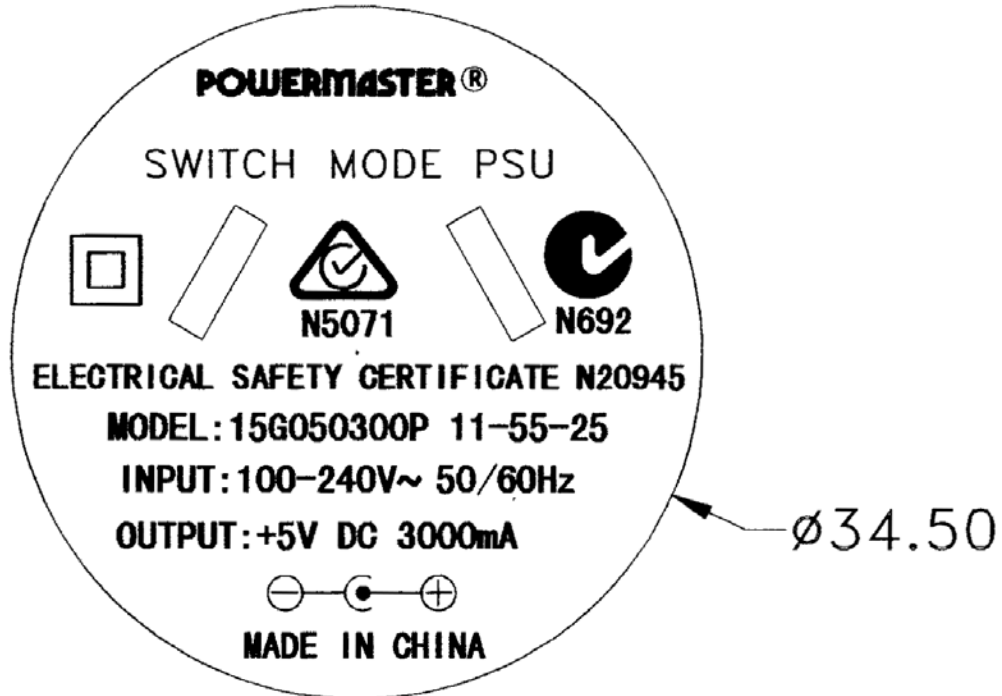
**SAFETY**

Dielectric withstanding voltage test (Hi-pot test) input to output	3000V AC 10mA for 1 minute..
Insulation Resistance	10M $\Omega$ at 500V DC between Primary Active, Neutral line and secondary.
Leakage Current	0.25mA maximum at normal AC input voltage and frequency

**RELIABILITY**

Mean Time Between Failure (MTBF)	The power supply is designed to have a MTBF of 50,000 hours.
----------------------------------	--

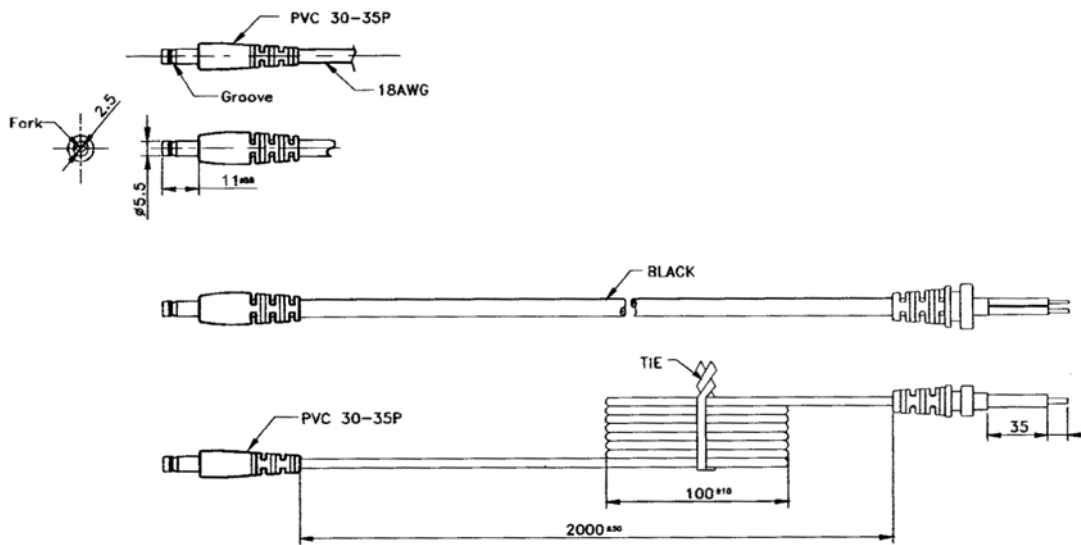
RATING PLATE



- Note:
1. Material: Polyester+PET; Coating: 0.25 +/- 0.05mm
  2. White characters; Black background
  3. Lead free

**DC OUTPUT CORD DRAWING**

**DIMENSION OF OUTPUT PLUG & DC CORD (Unit: mm)**

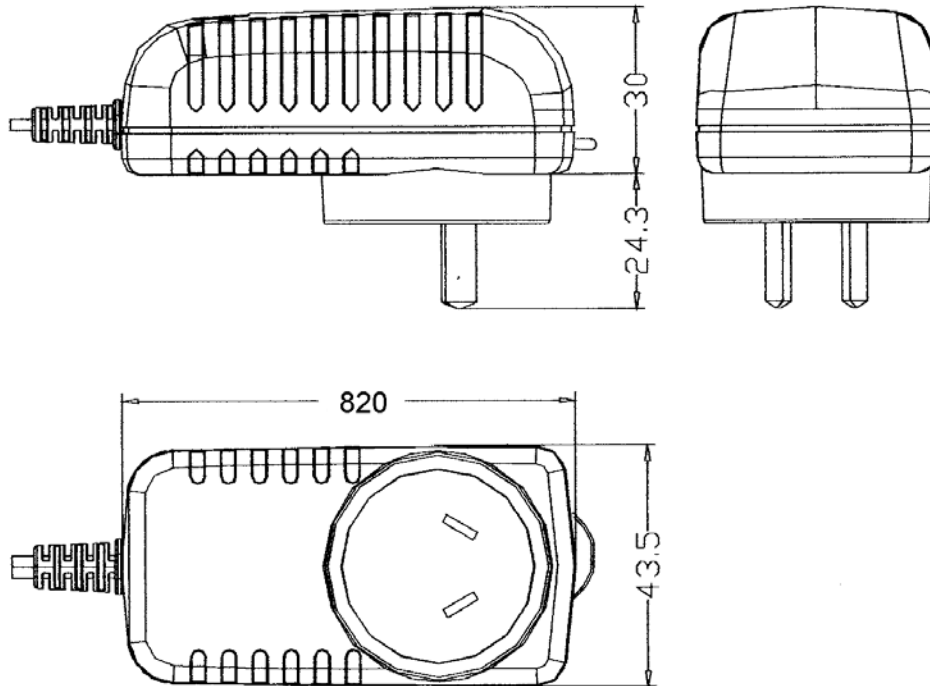


NOTE: (unit:mm)

- 1).WIRE TYPE:VW-1SC 1185 80°C ø3.5 300V L=2000mm 2C 18AWG BLACK
- 2).WIRE JACKET MATERIAL:PVC (94V-0)

**15G Series Plug-in Switch Mode Power Supply Unit**

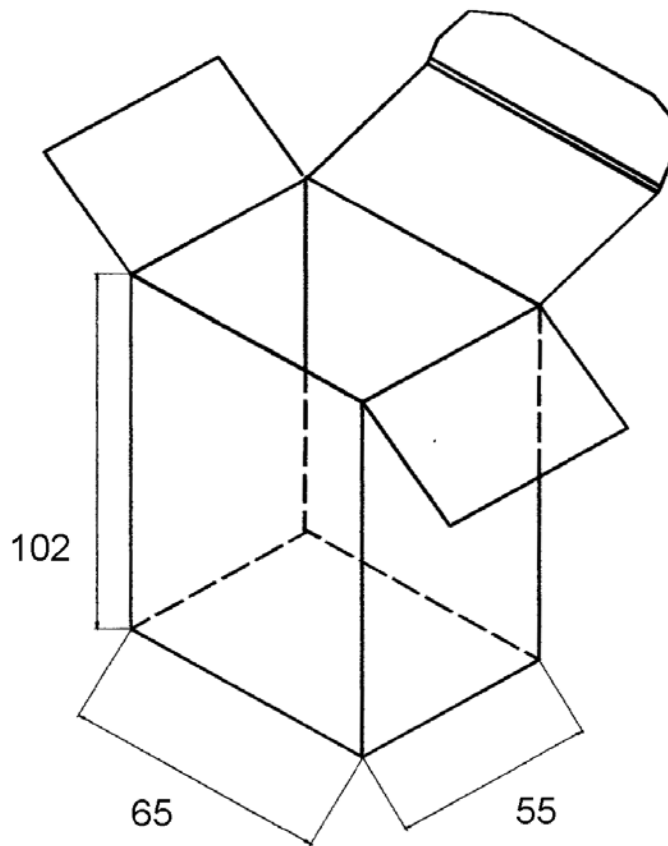
**PRODUCT OUTLINE DRAWING**



- Note:
1. Case & chassis material: PPHOX (UL94V-1) Black
  2. AC Pin material: Brass (NI plated)
  3. Lead free

**PACKING DRAWING**

**BOX DRAWING: (Unit: mm)**



Material: 400g (lead free)

## **X-ON Electronics**

Largest Supplier of Electrical and Electronic Components

*Click to view similar products for [access communications manufacturer](#):*

Other Similar products are found below :

[T1212-150](#) [Y9211](#) [K3754ORA](#) [K3744-015](#) [W2685RED](#) [W2652ASH](#) [W2682RED](#) [K3792](#) [K3743-050](#) [K3749](#) [K37557ORA](#) [K3759](#) [K3759-005](#) [T1210-21J](#) [P2163](#) [K3759-001](#) [K3791](#) [K3745](#) [W2650BLU](#) [K3762](#) [P2210](#) [K3781](#) [K3748ORA](#) [K3750](#) [P2124](#)