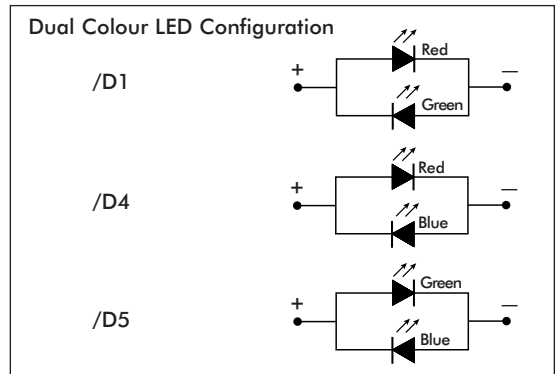
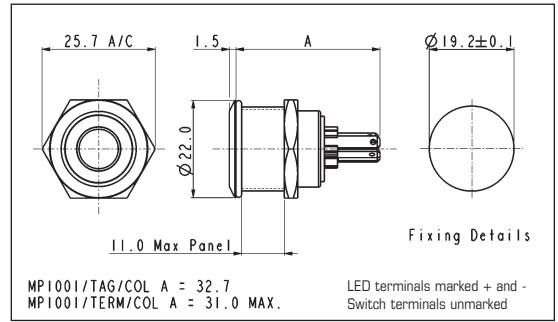


**Stainless Steel Illuminated Vandal Resistant**

**FRONT PANEL MOUNTING**



- Dot Illuminated
- 22mm diameter
- S.P. Push to Make
- 50mA, 24V dc contact rating
- Red, Green, Amber, Blue, White or Dual Colour Illumination
- Bright Daylight LEDs
- Separate LED Terminals



**Specification**

**MPI001/Termination/Colour**

Terminations:	/28 (2.8mm tabs), /Term (screw terminals)										
Switching:	S.P. Push to make, tactile										
Max. Switch Rating:	50mA, 24V d.c.										
LEDs (ratings @ 20mA)											
Colours	Red	Green	Amber	Blue	White	Red / Green	Red / Blue	Blue / Green			
Luminous Intensity	900mcd	2500mcd	900mcd	1500mcd	900mcd	2500mcd	5000mcd	2000mcd	850mcd	2000mcd	4000mcd
Forward Voltage*	1.85V	3.5V	2.3V	3.5V	3.6V	2.05V	3.6V	2.0V	3.6V	3.6V	3.6V
Forward Current	20mA	20mA	20mA	20mA	20mA	20mA	20mA	20mA	20mA	20mA	20mA
Part No.	/RD	/GN	/AM	/BL	/WH	/D1		/D4		/D5	
	*An appropriate resistor must be series connected by the user										
Contact Resistance:	<100mΩ										
Insulation Resistance:	>10 <sup>3</sup> MΩ										
Dielectric Strength:	Contact to Panel >2.0kV Contact to Contact 1500V										
Operating Temp. Range:	-30°C to +70°C										
Sealing (Front of panel only):	Protection Classification: IP66 EN60529 1992										
Operations											
Mechanical:	750,000 (min)										
Electrical:	35,000 (min)										
Operating Pressure:	12N										
Rear Nut Fixing Torque:	0.57Nm										
Materials											
Switch assembly:	UL94V-0 rated Polyamide (Nylon)										
Tags:	Copper Alloy										
Terminals:	Copper Alloy										
Switch Body & Button:	Stainless Steel										
Lens and Lens Body:	Polycarbonate										
O ring:	Nitrile										
Internal seal:	Silicone										
Contact Plate:	Gold Plated										
	ESD Handling precautions must be taken										
	Compliant										

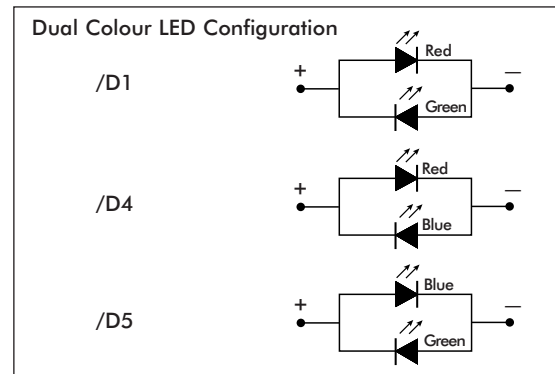
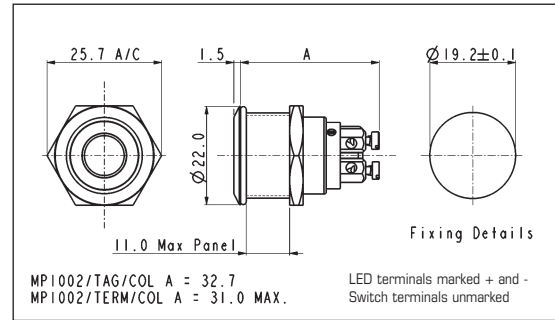


## Stainless Steel Illuminated Vandal Resistant

### FRONT PANEL MOUNTING



- Ring Illuminated
- 22mm diameter
- S.P. Push to Make
- 50mA, 24V dc contact rating
- Red, Green, Amber, Blue, White or Dual Colour Illumination
- Bright Daylight LEDs
- Separate LED Terminals



### Specification

### MPI002/Termination/Colour

Terminations:	/28 (2.8mm tabs), /Term (screw terminals)										
Switching:	S.P. Push to make, tactile										
Max. Switch Rating:	50mA, 24V d.c.										
LEDs (ratings @ 20mA)											
Colours	Red	Green	Amber	Blue	White	Red / Green	Red / Blue	Blue / Green			
Luminous Intensity	900mcd	2500mcd	900mcd	1500mcd	900mcd	2500mcd	5000mcd	2000mcd	850mcd	2000mcd	4000mcd
Forward Voltage*	1.85V	3.5V	2.3V	3.5V	3.6V	2.05V	3.6V	2.0V	3.6V	3.6V	3.6V
Forward Current	20mA	20mA	20mA	20mA	20mA	20mA	20mA	20mA	20mA	20mA	20mA
Part No.	/RD	/GN	/AM	/BL	/WH	/D1		/D4		/D5	

\*An appropriate resistor must be series connected by the user

Contact Resistance:	<100mΩ
Insulation Resistance:	>10 <sup>3</sup> MΩ.
Dielectric Strength:	Contact to Panel >2.0kV Contact to Contact 1500V
Operating Temp. Range:	-30°C to +70°C
Sealing (Front of panel only):	Protection Classification: IP66 EN60529 1992
Operations	
Mechanical:	750,000 (min)
Electrical:	35,000 (min)
Operating Pressure:	12N
Rear Nut Fixing Torque:	0.57Nm
Materials	
Switch assembly:	UL94V-0 rated Polyamide (Nylon)
Tags:	Copper Alloy
Terminals:	Copper Alloy
Switch Body & Button:	Stainless Steel
Lens and Lens Body:	Polycarbonate
O ring:	Nitrile
Internal seal:	Silicone
Contact Plate:	Gold Plated

ESD Handling precautions must be taken

Compliant



RoHS

## X-ON Electronics

Largest Supplier of Electrical and Electronic Components

*Click to view similar products for [bulgin manufacturer](#):*

Other Similar products are found below :

[EXP-0931/03/P](#) [EXP-0931/04/P](#) [EXP-0941/02/P](#) [PX0410/10S/5560](#) [PX0580PC7](#) [PX0742/P/50OHM](#) [PX0921/10/P](#)  
[PXM6010/03S/ST/0507/SN](#) [DX1116/RD](#) [BEP01SGT0](#) [BZV01/Z0000/10](#) [EXP-0991](#) [EXP-A921/07/P](#) [PX041106S6570](#) [PX041108S5560](#)  
[PX091104S01](#) [PXP7010/03S/ST/1113](#) [PXP7011/02P/ST/0709](#) [BVA01/Z0000/10](#) [BVA01/Z0000/11](#) [13826](#) [SX0780](#) [PXM6033TP](#) [KX0372](#)  
[14025](#) [PXM6010/03S/ST/0507](#) [PXP7011/02S/ST/1113](#) [BVB01/Z0000/02](#) [A1048OAAAC](#) [C1353ATMBR3](#) [H8553VBBR3](#)  
[X8650VBBB076W](#) [C1350ABMWW602AB](#) [C1553PBMBR3](#) [C6053ALBG21197W](#) [H8600VBBR076W](#) [PXMBNI12RPF04DPCPG9](#)  
[PXMBNI12RPF05APCM16](#) [PXPPAM12RAM05ASTPG9](#) [PXMBNI23FBF19ASC](#) [PXP4010/04S/4550](#) [PXPPVC08RAF05BCL010PVC](#)  
[H3141AAKAA](#) [H8550VBBBEN551W](#) [PXMBNI08FPF03AFL003](#) [LH1050B](#) [C1353ARBG2-602AW-B](#) [PXMBNI12FBF08XSCPG9](#)  
[C6053ALBG31197W](#) [H8550VBBB](#)