

# ULTRA MINIATURE PLASTIC PACKAGE PURE SILICON™ CLOCK OSCILLATOR

ASEM



Life Size

3.2 x 2.5 x 0.85 mm

ASEM

**Pb** | RoHS/RoHS II Compliant

## FEATURES:

- Ultra Miniature Pure Silicon™ Clock Oscillator
- MEMS Technology by Discera
- Low Power Consumption <10mA
- Exceptional Stability Over Temp. at -40 to +85°C.
- Available over Extended Operating Temperature
- Low Cost-Compact QFN Plastic Packaging
- Compact Package design

## APPLICATIONS:

- CCD Clock for VTR Camera
- Equipment Connected to PCs
- Low Profile Equipment
- Lower Cost Crystal Oscillator Replacement
- Computers and Peripherals
- Portable Electronics (MP3 Players, Games)
- Consumer Electronics such as TV's, DVR's, etc.
- Vibrant, Shock-Prone & Humid Environments for Industrial Equipment
- Demanding Military & Automotive Electronics



## STANDARD SPECIFICATIONS:

Parameters		Minimum	Typical	Maximum	Units	Notes
Frequency Range:		1.0	-----	150	MHz	
Operating Temperature:		0	-----	+70	°C	See options
Storage Temperature:		-55	-----	+150	°C	
Overall Frequency Stability*:		-100	-----	+100	ppm	See options
Supply Voltage (Vdd):		+1.8 ~ +3.3			V	See options
Supply Current (no load):	1.0 to 39.9999MHz	-----	3	10	mA	No load RL=∞ T=25°C
	40.0 to 79.9999MHz	-----	4	10		
	80.0 to 124.9999MHz	-----	5	10		
	125.0 to 150MHz	-----	6	10		
Output Voltage:	V <sub>OH</sub>	0.8*V <sub>dd</sub>	-----	-----	V	15pF
	V <sub>OL</sub>	-----	-----	0.2*V <sub>dd</sub>		
Rise Time:	Tr	-----	1.3	2.0	ns	15pF; T=25°C 20%/80%*VDD
Fall Time:	Tf	-----	1.3	2.0		
Output Load:		15pF max / 10kΩ min.			pF	See options
Symmetry:		45	-----	55	%	@1/2Vdd
Startup Time:		-----	1.5	3.0	ms	
Disable Time:		-----	20	100	ns	
Disable Stand-by Current:		-----	-----	1	uA	
Tri-state Function (Stand-by) :		"1" (VIH≥0.75*Vdd) or Open: Oscillation "0" (VIH<0.25*Vdd) : Hi Z			V	
Cycle to cycle jitter:		-----	95	-----	ps	F=100MHz
Aging:		-5.0	-----	+5.0	ppm	First year

### Absolute Maximum Ratings

Item	Minimum	Maximum	Unit	Condition
Supply Voltage	-0.3	+4.0	V	
Input Voltage	-0.3	Vdd+0.3	V	
Junction Temp.	-----	+150	°C	
Soldering Temp.	-----	+260	°C	40sec max
ESD	HBM	2,000	V	
	MM	200		
	CDM	500		

ABRACON IS  
ISO 9001:2008  
CERTIFIED



2 Faraday, Suite# B | Irvine | CA 92618 Revised: 04.30.15  
Ph. 949.546.8000 | Fax. 949.546.8001  
Visit [www.abracon.com](http://www.abracon.com) for Terms and Conditions of Sale

# ULTRA MINIATURE PLASTIC PACKAGE PURE SILICON™ CLOCK OSCILLATOR

ASEM



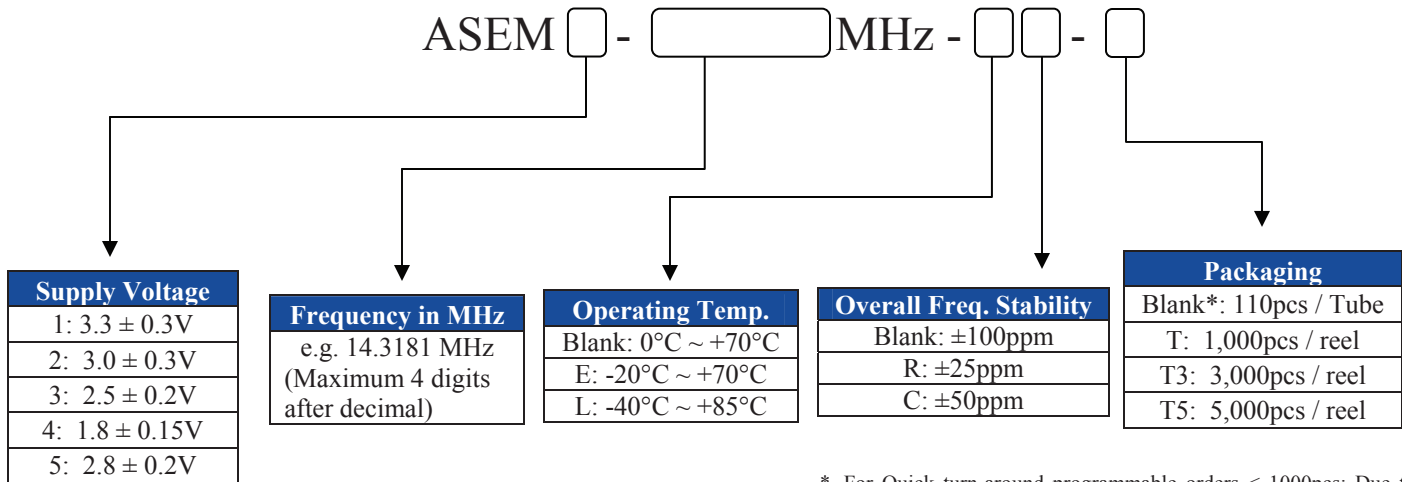
Life Size

3.2 x 2.5 x 0.85 mm

ASEM

RoHS/RoHS II Compliant

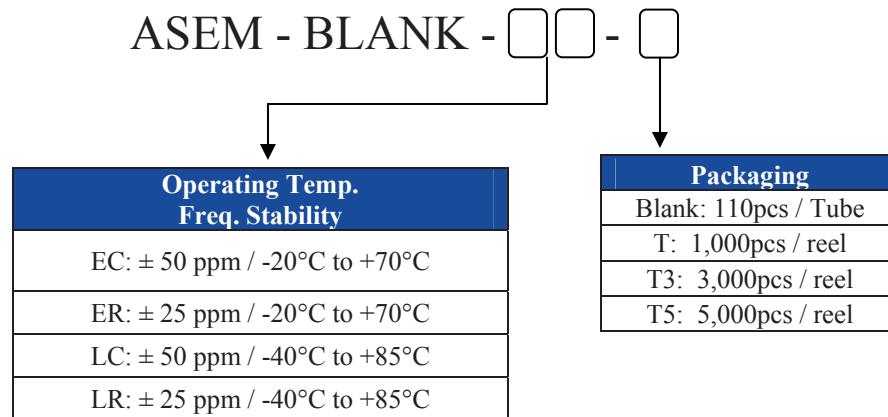
## ➤ PART NUMBER FOR PROGRAMMED ORDERS (Quantity > 1,000pcs)



\* For Quick turn-around programmable orders < 1000pcs: Due to the immediate availability of stock and the qty of the order, the parts may be delivered as BULK: Cut Tape, Loose parts in Antistatic Bag or in Tube(s). The MOQ per the series will still apply for Tube packaging.

## Un-Programmed Orders (Quantity < 1,000pcs)

Blank un-programmed oscillators and our low cost portable programmer are available for quick turn engineering requirements. Please call ABRACON or visit MEMSpeed Pro site <http://www.abracon.com/memspeedpro/memspeedpro.html> for more information.



# ULTRA MINIATURE PLASTIC PACKAGE PURE SILICON™CLOCK OSCILLATOR

ASEM



Life Size

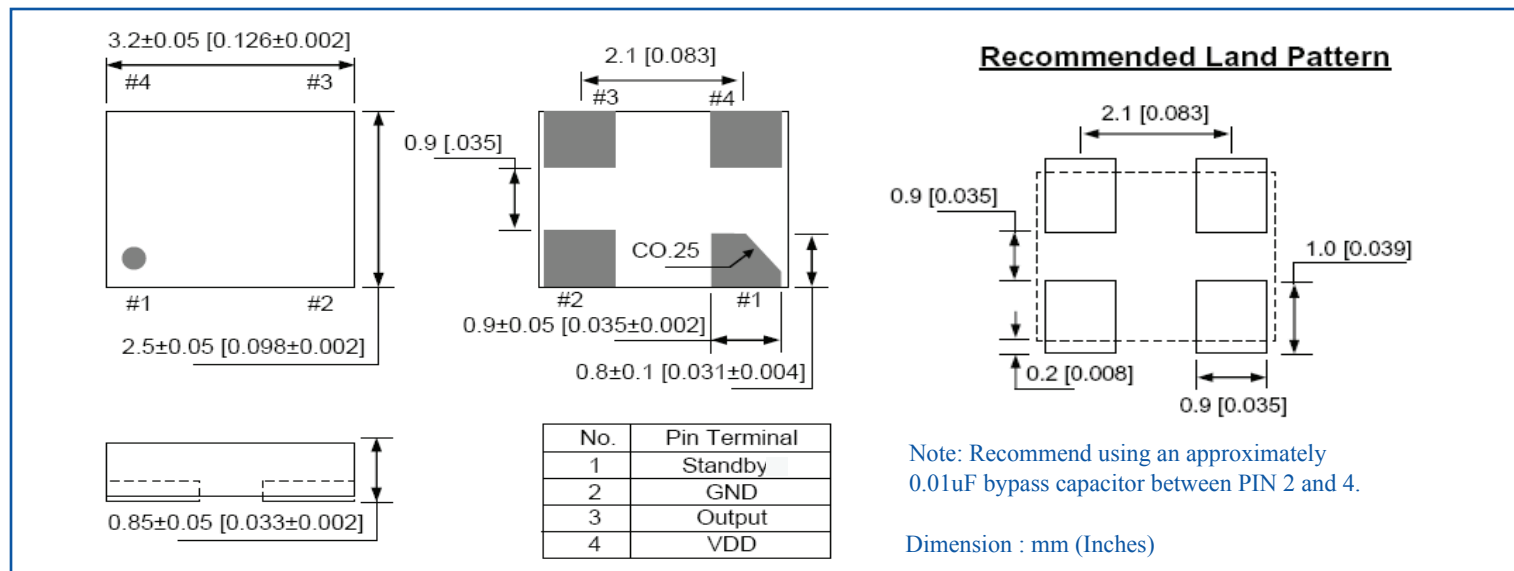


3.2 x 2.5 x 0.85 mm

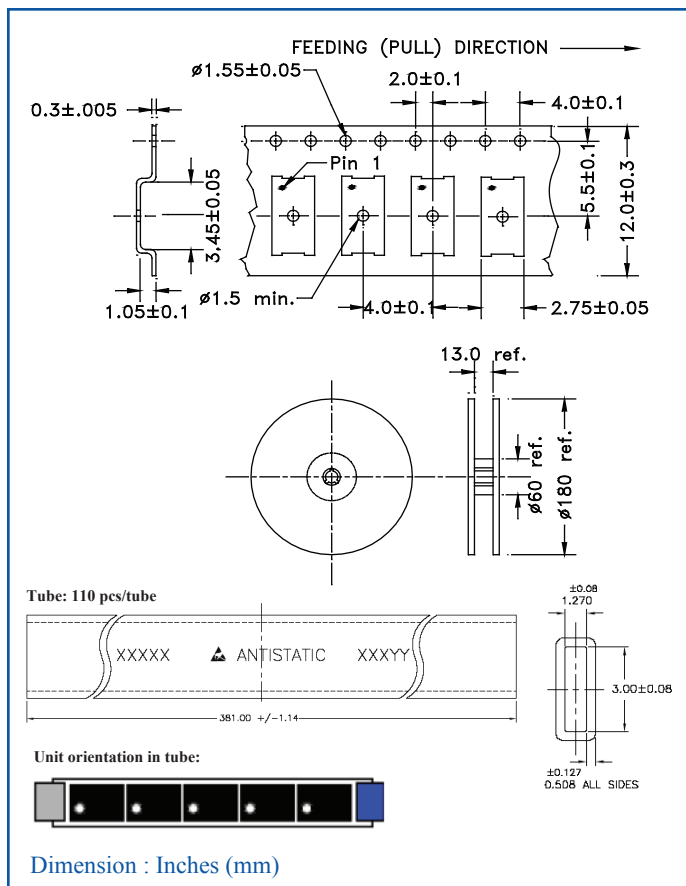
ASEM

**Pb** | RoHS/RoHS II Compliant

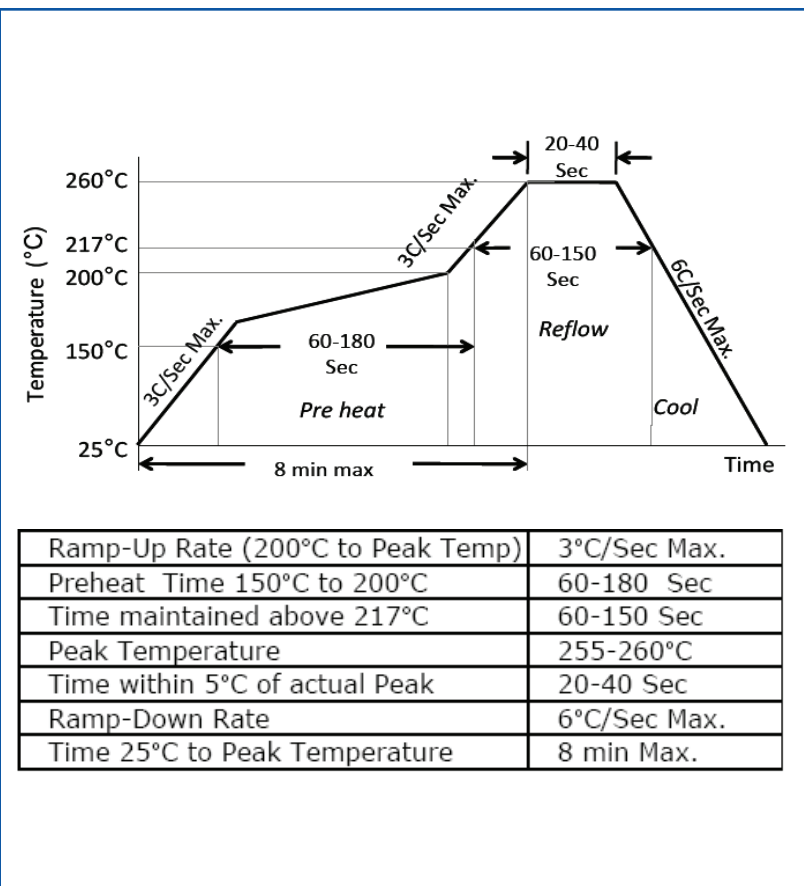
## OUTLINE DRAWING:



## TAPE & REEL: Tape and reel 1,000pcs/reel



## REFLOW PROFILE:



Need a test socket for the ASEM Series? To view compatible **PRECISION TEST & BURN-IN SOCKETS** for these parts, [click here](#). P/N: **AXS-3225-04-02**

**ATTENTION:** Abracon Corporation's products are COTS – Commercial-Off-The-Shelf products; suitable for Commercial, Industrial and, where designated, Automotive Applications. Abracon's products are not specifically designed for Military, Aviation, Aerospace, Life-dependant Medical applications or any application requiring high reliability where component failure could result in loss of life and/or property. For applications requiring high reliability and/or presenting an extreme operating environment, written consent and authorization from Abracon Corporation is required. Please contact Abracon Corporation for more information.

ABRACON IS  
ISO 9001:2008  
CERTIFIED

**ABRACON** LLC  
The Power of Linking Together

2 Faraday, Suite# B | Irvine | CA 92618 Revised: 04.30.15  
Ph. 949.546.8000 | Fax. 949.546.8001  
Visit [www.abracon.com](http://www.abracon.com) for Terms and Conditions of Sale

## X-ON Electronics

Largest Supplier of Electrical and Electronic Components

*Click to view similar products for [Standard Clock Oscillators](#) category:*

*Click to view products by [ABRACON](#) manufacturer:*

Other Similar products are found below :

[EP1400SJTSC-125.000M](#) [601137](#) [601252](#) [CSX750FBC-24.000M-UT](#) [CSX750FBC-33.333M-UT](#) [CSX750FCC-3.6864M-UT](#) [F335-12](#) [F335-25](#) [F535L-50](#) [DSC506-03FM2](#) [ASA-20.000MHZ-L-T](#) [ASA-25.000MHZ-L-T](#) [ASA-27.000MHZ-L-T](#) [ASV-20.000MHZ-LR-T](#) [ECS-2018-160-BN-TR](#) [EL13C7-H2F-125.00M](#) [MXO45HS-2C-66.6666MHZ](#) [NBXDBB017LN1TAG](#) [NBXHBA019LN1TAG](#) [SiT1602BI-22-33E-50.000000E](#) [SIT8003AC-11-33S-2.04800X](#) [SiT8256AC-23-33E-156.250000X](#) [SIT8918AA-11-33S-50.000000G](#) [SM4420TEV-40.0M-T1K](#) [SMA4306-TL-H](#) [F335-24](#) [F335-40](#) [F335-50](#) [F535L-10](#) [F535L-12](#) [F535L-16](#) [F535L-24](#) [F535L-27](#) [F535L-48](#) [CSX750FBC-20.000M-UT](#) [CSX-750FBC33333000T](#) [CSX750FBC-4.000M-UT](#) [CSX750FBC-7.3728M-UT](#) [CSX750FBC-8.000M-UT](#) [CSX-750FCC14745600T](#) [CSX750FCC-16.000M-UT](#) [CSX-750FCC40000000T](#) [CSX750FCC-4.000M-UT](#) [ASA-22.000MHZ-L-T](#) [ASA2-26.000MHZ-L-T](#) [ASA-40.000MHZ-L-T](#) [ASA-48.000MHZ-L-T](#) [ASA-60.000MHZ-L-T](#) [ASF1-3.686MHZ-N-K-S](#) [XLH735025.000JU4I8](#)