



Mini Dipole Antenna 2.4GHz

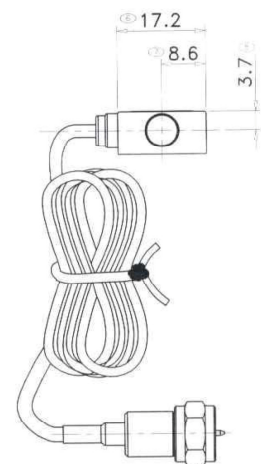
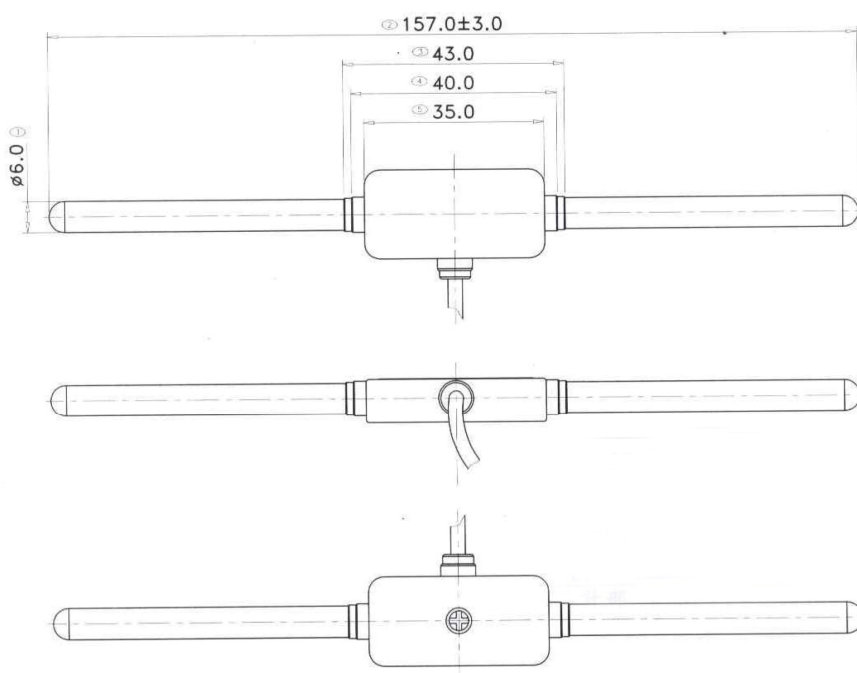
- $\frac{1}{4}$ Wavelength Whip Antenna
- Rugged Flexible Plastic Finish.
- SMA-(Reverse Plug) Fixing
- Available as Straight or hinged
- Omni-Directional Design
- 50ohm Impedance
- Operating Temp -30 to $+60^{\circ}\text{C}$
- Insulation resistance $500\text{M}\Omega$ @ 500Vdc



Applications

- General Low Power Radio
- M2M Applications
- Telemetry

Mechanical Dimensions

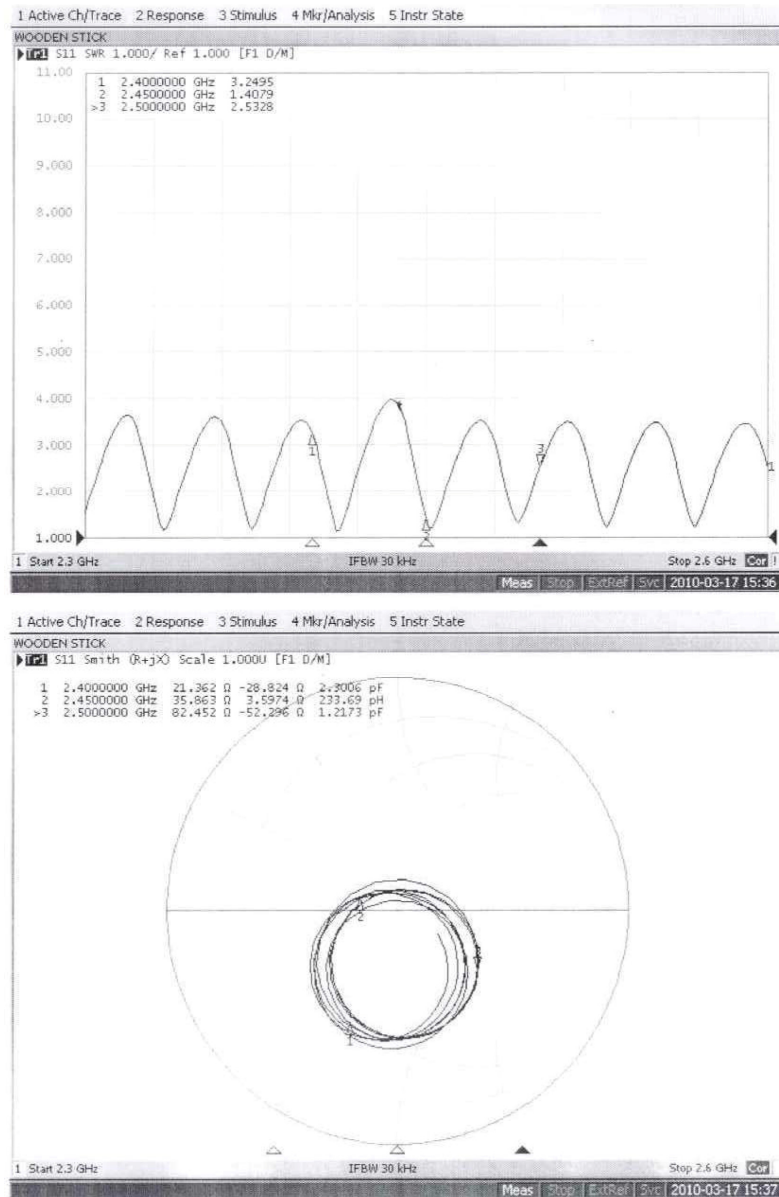


F-P CONNECTOR



Mini Dipole Antenna 2.4GHz

Performance / VSWR Plot



RF Solutions Ltd.,
Unit 21, Cliffe Industrial Estate,
Lewes, E. Sussex. BN8 6JL. England.

Email : sales@rfsolutions.co.uk <http://www.rfsolutions.co.uk>

Tel: +44 (0)1273 898 000 Fax: +44 (0)1273 480 661

Disclaimer:

Whilst the information in this document is believed to be correct at the time of issue, RF Solutions Ltd does not accept any liability whatsoever for its accuracy, adequacy or completeness. No express or implied warranty or representation is given relating to the information contained in this document. RF Solutions Ltd reserves the right to make changes and improvements to the product(s) described herein without notice. Buyers and other users should determine for themselves the suitability of any such information or products for their own particular requirements or specification(s). RF Solutions Ltd shall not be liable for any loss or damage caused as a result of user's own determination of how to deploy or use RF Solutions Ltd's products. Use of RF Solutions Ltd products or components in life support and/or safety applications is not authorised except with express written approval. No licences are created, implicitly or otherwise, under any of RF Solutions Ltd's intellectual property rights. Liability for loss or damage resulting or caused by reliance on the information contained herein or from the use of the product (including liability resulting from negligence or where RF Solutions Ltd was aware of the possibility of such loss or damage arising) is excluded. This will not operate to limit or restrict QuasarUK Ltd's liability for death or personal injury resulting from its negligence.



X-ON Electronics

Largest Supplier of Electrical and Electronic Components

Click to view similar products for [rf solutions manufacturer](#):

Other Similar products are found below :

[FOBBER-8T2](#) [ZULU-868](#) [ANT-PCB4520-FL](#) [DB5XA](#) [ZULUEVAL-M](#) [DELTA-TRX8C1](#) [LAMBDA62C-9D](#) [LAMBDA80-24D](#) [ADP-SMAFRP-SMAF](#) [GAMMA-868R-SO](#) [GAMMA-868R](#) [KAPPAM-ARD](#) [ICEPIC](#) [FLEXI-SMA-868](#) [FM-RTFQ2-433P](#) [GAMMA-868-SO](#) [DB756](#) [KAPPA-R868-SO](#) [ZETA-ARD-868](#) [ZULUEVAL-DONGLE](#) [ZETAPLUS-433-SO](#) [ZETAPLUS-915-D](#) [TRAP-T1](#) [ANT-GROD8-NSMA](#) [ADP-SMAM-NF](#) [HORNET200-TX1](#) [EZTEXT](#) [ICEPIC3-US](#) [I3-TRACER1](#) [ZULU-M-ARDUINO](#) [GAMMA-915R](#) [RFM68W-433-S2](#) [KAPPAT-ARD](#) [I3DBF77](#) [ZETAPLUS-915-SO](#) [ZETAPLUS-433-D](#) [ANT-24G-DPL-SMA](#) [ANT-PCB3707-UFL](#) [FOBLOQF-4S2](#) [ADP-SMAM-2SMAF](#) [CBA-SMAF-OP](#) [ANT-TBARQB-FMEF](#) [ANT-MCLING3-N](#) [RF600E](#) [HORNETPRO-8S3](#) [ADP-SMAF-SMAF](#) [ZETA-868-SO](#) [CF-WU710NV2](#) [ALPHA-TRX433S](#) [BRAVO-ARD](#)