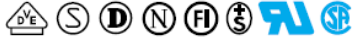


IEC Connectors & NEMA Receptacles



10A 250Vac

UL CSA 10A 250Vac UL 65°C

Terminal data shown at section end

For stock availability & additional options call the factory

To order:







State type number, connector terminal code, switch terminal code (if applicable), and for snap-in items, the panel thickness. Stocked items are for 1.0mm panels



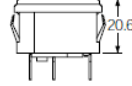
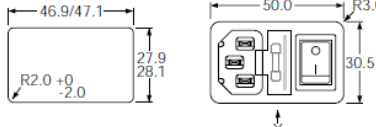
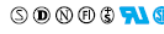

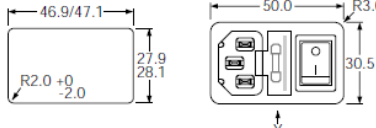
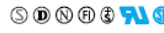

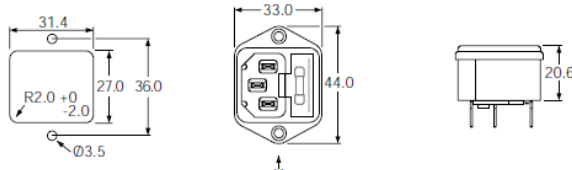
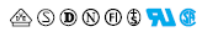
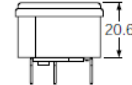
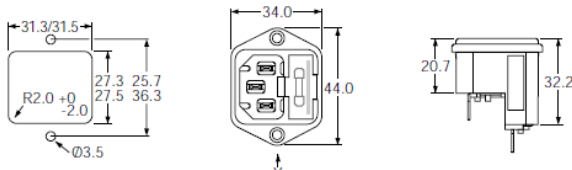
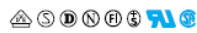
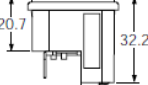
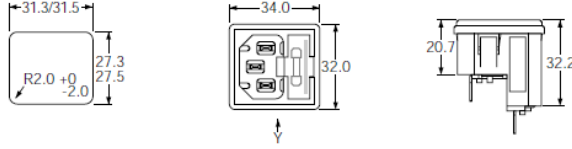
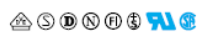

0717-1S Q T 1.0mm




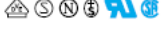
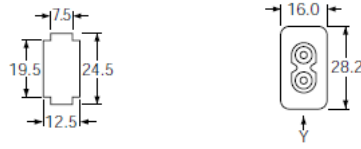
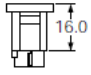
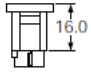




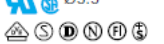
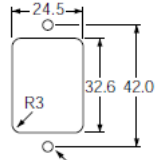
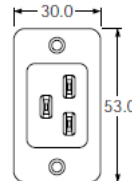
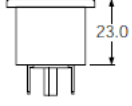
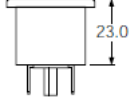




TYPE TERMINAL (connector) TERMINAL (switch) PANEL thickness

DIMENSIONS (mm)

View below is at Y

TYPE	TERMINAL
<p>0717-1-P</p>  <p>Fused Inlet 5x20</p>	<p>S 2.5 Solder</p> <p>LS 2.8 Solder</p> <p>Q 4.8 Tab</p> <p>W 6.3 Tab</p>
<p>0717-1S State "Non Lit"</p>  <p>Switched Fused Inlet 5x20</p>	<p>Q 4.8 Solder Connector</p> <p>T 4.8 Solder Switch</p>
<p>0717-1S State "Lit"</p>  <p>Switched Fused Inlet 5x20</p>	<p>Q 4.8 Solder Connector</p> <p>T 4.8 Solder Switch</p>
<p>0717-C</p>  <p>Fused Inlet 5x20</p>	<p>S 2.5 Solder</p> <p>LS 2.8 Solder</p> <p>Q 4.8 Tab</p> <p>W 6.3 Tab</p>
<p>0717-2-C (2k min order)</p>  <p>Double Fused Inlet 5x20</p>	<p>S 2.5 Solder</p> <p>LS 2.8 Solder</p> <p>Q 4.8 Tab</p> <p>W 6.3 Tab</p>
<p>0717-2-P (2k min order)</p>  <p>Double Fused Inlet 5x20</p>	<p>S 2.5 Solder</p> <p>LS 2.8 Solder</p> <p>Q 4.8 Tab</p> <p>W 6.3 Tab</p>

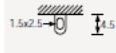
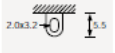

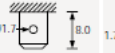
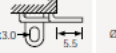


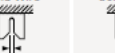
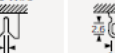
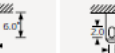


<p>Panel thickness X</p> <table border="1"> <tr><td>0.8 - 1.2</td><td>31.4</td></tr> <tr><td>1.3 - 2.0</td><td>31.6</td></tr> </table>  <p>10A 250Vac</p>  <p>DP non-illuminated switch is standard</p>	0.8 - 1.2	31.4	1.3 - 2.0	31.6	
0.8 - 1.2	31.4				
1.3 - 2.0	31.6				
<p>Panel thickness: 0.8 or 1.0 or 1.2 Call factory for details</p>  <p>10A 250Vac</p>  <p>DP illuminated switch is standard</p>					
<p>Panel thickness: 0.8 or 1.0 or 1.2 Call factory for details</p>  <p>10A 250Vac</p>  <p>DP illuminated switch is standard</p>					
 <p>10A 250Vac</p>  <p>0717-2-C For applications (eg medical equipment) where both live & neutral feeds must be fused</p>					
 <p>10A 250Vac</p>  <p>0717-2-P For applications (eg medical equipment) where both live & neutral feeds must be fused</p>					
<p>Panel thickness: 0.8 or 1.0 or 1.2 or 1.5 Call factory for details</p>  <p>10A 250Vac</p> 					

TYPE	TERMINAL	DIMENSIONS (mm)					
0721-P (2k min order)  Inlet 	S Solder 	Panel thickness 0.8 - 1.3 2.5A 250Vac 	 	View below is at Y 			
0722-C (2k min order)  Inlet 	Q 4.8 Solder  W 6.3 Tab 				20A 125Vac 16A 250Vac 	  	
0723-C (2k min order)  Outlet 	Q 4.8 Solder  W 6.3 Tab 						

Technical data

- Mouldings V2 (VO option)
- Connectors Tin plated solid brass
- Terminals Silver plated

Terminal dimensions

For Connectors									For Switches		
S	N	Q	W	P	L	LS	V12	V16	Slide T	Slide K	Rocker T
2.5mm Solder	4mm Solder	4.8mm Solder/ Fast on	6.3 Fast on	PCB	Solder	2.8mm Solder	12-14 AWG Solid Wire	16 AWG Solid Wire	Solder	2.8mm Solder	4.8mm Solder
											

Note: Designated solder terminals should not be fitted with "Push on", "QD" or "Fast on" type cable connectors

X-ON Electronics

Largest Supplier of Electrical and Electronic Components

Click to view similar products for [arcolectric](#) manufacturer:

Other Similar products are found below :

[F0167LOAAA](#) [H8300ABBB](#) [H8550XBDDR076R](#) [H8550XBDDG076G](#) [H8553VDDG3](#) [H8553VDDG3076W](#) [H8553VDBA3](#) [H8620VDD](#)
[H8650VDD076W](#) [H8650VDD](#) [H8653VDDR3076W](#) [R13112DDR3](#) [R13112LPBR1](#) [NL275C3A-CHROME](#) [C1510AABW](#)
[C1550WABWCL050B](#) [C5503PLBR5](#) [C5503PLBR3](#) [C7053AFBA3](#) [279672](#) [H8500XBDDR076R](#) [H8550VDD](#) [H8601VDD](#) [H8660VDD](#)
[H8800VAB](#) [R13112B2BR6](#) [R13112DDG3](#) [R13208FBB](#) [C1550WABB602AW](#) [C6053ALBR31197W](#) [C6053ALBG31197W](#) [3700](#)
[LE2870C5G](#) [LHM62R](#) [512F10AE222](#) [T8550VDD076W](#) [64F500FA383](#) [C1350XBDDG](#) [C1353ATMBG3602AW](#) [C1520ALMDD730W](#)
[C1300AAAAA](#) [C1353VQGBR3602AW](#) [C1353VQGBG3602AW](#) [C1500VQGWW](#) [C1500XAMDD](#) [T0340RA](#) [L104100FAF](#)
[H8503VBNAE](#) [NL67C2R](#) [C3900BA](#)