

## 05G Series Plug-in Switch Mode Power Supply Unit

### INPUT

	MINIMUM	NORMAL	MAXIMUM
AC Input Voltage	90V AC	100 – 240V AC	264V AC
AC Input Frequency	47 Hz	50 / 60 Hz	63 Hz
AC Input Current – 230V AC (max)			0.15A
Input Power (max)			8.3W
AC Inrush Current* – 230V AC, 50Hz	No immediate damage or long term impact. Peak inrush current is limited to 60A for a cold start.		
Primary current protection	An internal fuse on the AC input line is provided.		
Configuration	Wall mount, AU-pin, 2-conductors, <Active, Neutral>		

### Power consumption at no load

Input current	≤15mA
Input 230V AC 50 Hz	0.5W max

### OUTPUT

MODEL	5V DC	6V DC	9V DC	12V DC
Normal DC Output Voltage	+5V	+6V	+9V	+12.0V
Maximum Load Current	1.00A	0.83A	0.55A	0.42A
Minimum Load Current	0.05A	0.05A	0.05A	0.05A
Rated Output Power	5.00W	5.00W	5.00W	5.00W
Load Regulation	±5% from 10% to 100% of rated load			
Ripple and Noise *	100mV			
Over-current Protection	Adaptor protected with 200% of rated output.			
Over-voltage Protection	Zener clamp. 9V maximum.			
Short-circuit Protection	The adaptor shall not be damaged by shorting the DC output to Ground with auto recovery functioning correctly.			
Hold-up Time (min) **	10mS			
Output over-shoot	<7% of nominal voltage value			
Temperature coefficient	Output voltage temperature coefficient ±0.05%/°C			
Turn-on Delay (max) **	2 Seconds			
Rise Time	Start-up rise time of <20mS to rise to within regulation limits			
Efficiency	60% minimum at normal input voltage and full load.			

\* Voltage measured P-P at 20MHz and output parallel with 100nF ceramic & 10uF electrolytic capacitors to ground. Temperature at 25°C and nominal AC input voltage.

\*\* At nominal AC voltage and full load.

**05G Series Plug-in Switch Mode Power Supply Unit****MECHANICAL**

Dimensions	57(H) x 41(W) x 33(D)mm.
Weight	85g maximum.
Input Plug Type	Wall type, SAA 2-pin AS/NZS3112:2000
Output Cord	Wire: 22AWG/2C, 2000mm.
Output Plug	DC Barrel Plug (with fork & groove). 11x5.5x2.1mm

**ENVIRONMENTAL**

Cooling	Natural convection.
Operating Temperature	0°C to +40°C
Storage Temperature	-20°C to +80°C
Operating Humidity	10 ~ 90 % Non-condensing
Storage Humidity	10 ~ 90 % Non-condensing

**SAFETY**

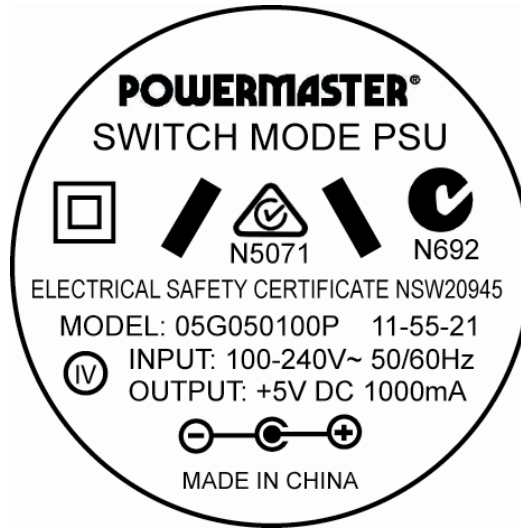
Dielectric withstanding voltage test (Hi-pot test) input to output	3000V AC 10mA for 1 minute..
Insulation Resistance	10M $\Omega$ at 500V DC between Primary Active, Neutral line and secondary.
Leakage Current	0.25mA maximum at normal AC input voltage and frequency

**RELIABILITY**

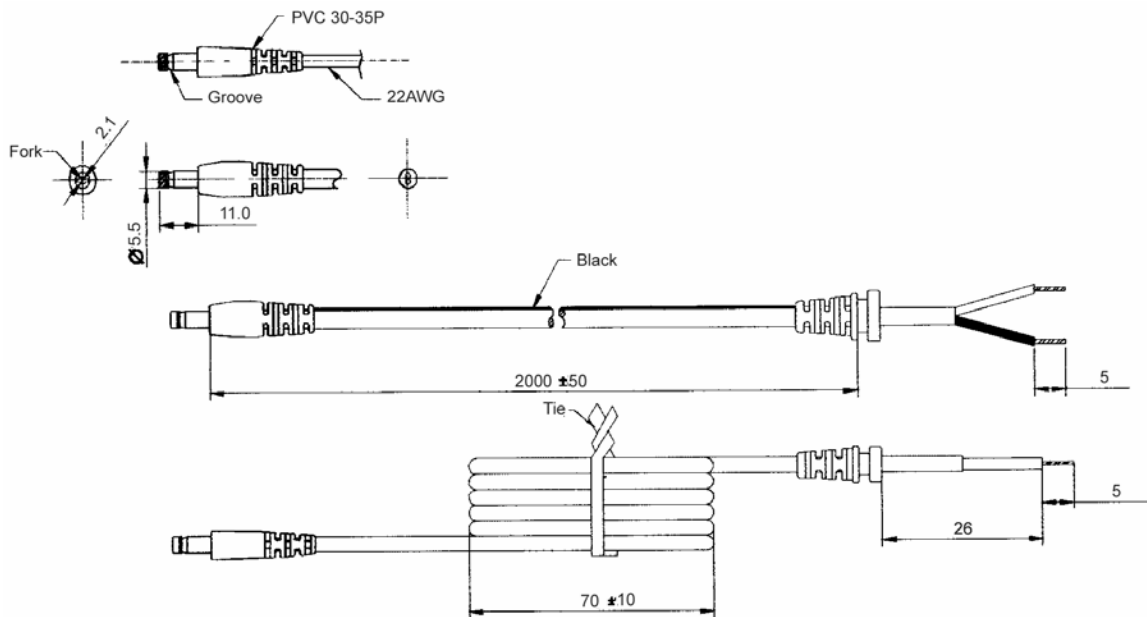
Mean Time Between Failure (MTBF)	The power supply is designed to have a MTBF of 50,000 hours.
----------------------------------	--

**05G Series Plug-in Switch Mode Power Supply Unit**

**RATING PLATE**



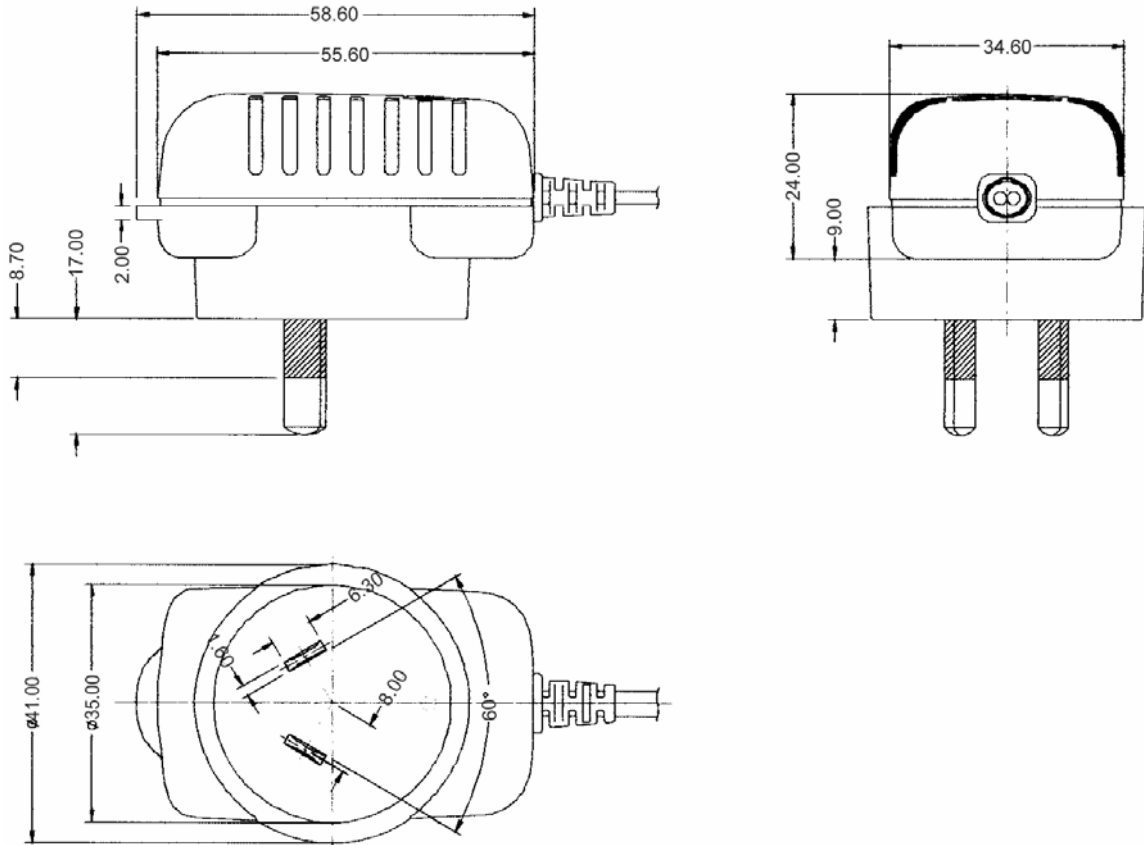
**DC OUTPUT CORD DRAWING**



Wire type: 2464 2000mm 80°C 300V 3.50o 2C 22AWG BLACK  
Jacket material: PVC (94V-0)

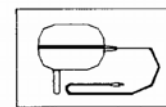
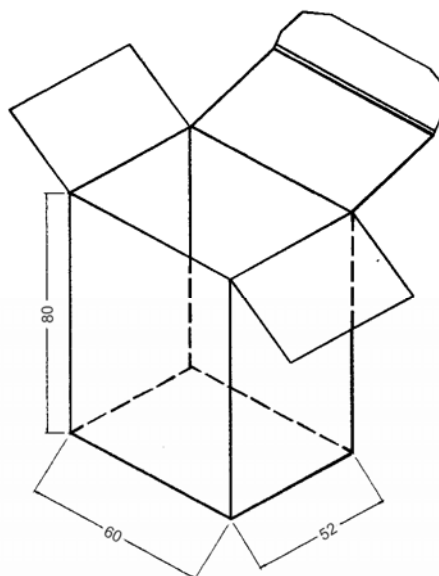
**05G Series Plug-in Switch Mode Power Supply Unit**

**PRODUCT OUTLINE DRAWING**



Case cover & chassis: PPHOX (UL94V-1) BLACK (LEAD FREE)  
AC Pin: BRASS (NI PLATED)

**PACKING DRAWING**



Material: 400g (LEAD FREE)

## **X-ON Electronics**

Largest Supplier of Electrical and Electronic Components

*Click to view similar products for [Access Communications](#) manufacturer:*

Other Similar products are found below :

[T1212-150](#) [K3744-010](#) [T1210-21J](#) [W2685RED](#) [W2652ASH](#) [K3754ORA](#) [W2682RED](#) [K3758ORA](#) [K3743-050](#) [P2163](#) [K3759](#) [K3759-001](#)  
[K3762](#) [K3750ORA](#) [K37557ORA](#) [W2650BLU](#) [K3792](#) [K3745](#) [P2210](#) [K3791](#) [K3781](#) [K3749](#) [K3748ORA](#) [P2124](#) [K3748](#) [K3750](#)