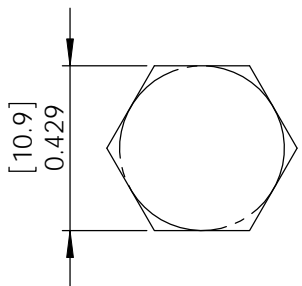
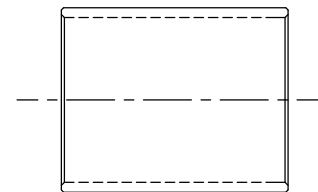


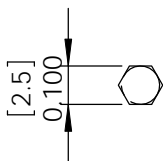
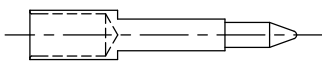
THE INFORMATION CONTAINED IN THIS DRAWING IS THE SOLE PROPERTY OF L-COM, INC. ANY REPRODUCTION IN PART OR WHOLE WITHOUT THE WRITTEN PERMISSION OF L-COM, INC. IS PROHIBITED.

REVISIONS			
REV	DESCRIPTION	DATE	APPROVED
A	Initial Release	07/08/06	K.Burgner
B	Updated format and Connector info ECN#4368	11/11/09	B.Puchaski
C	Removed Insulator Pad, Update Body ECN#4692	04/16/10	B.Puchaski

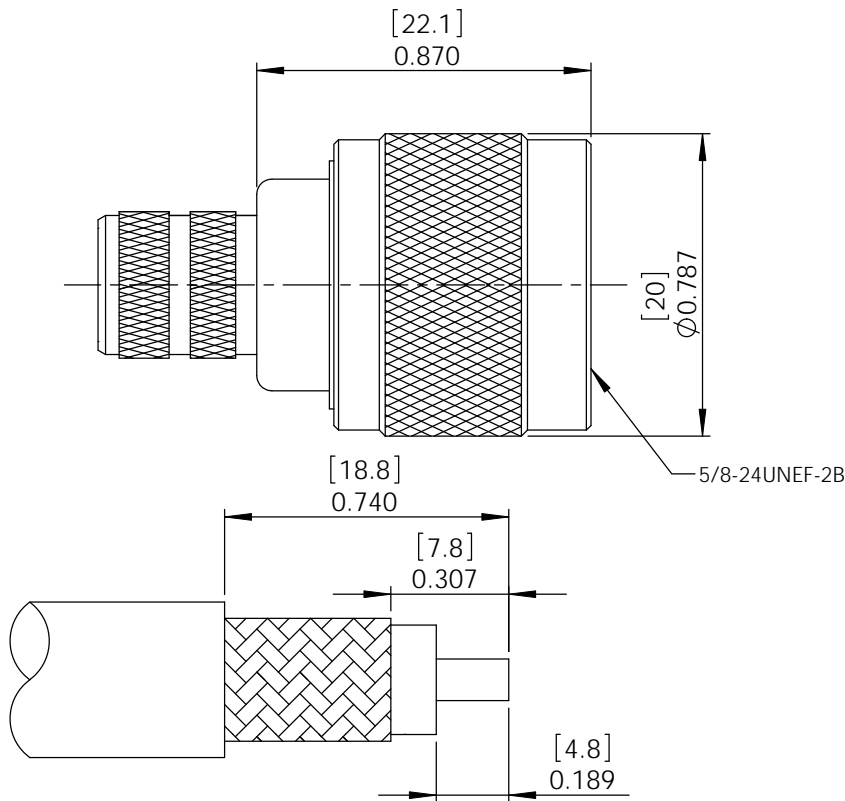
DESCRIPTION	MATERIAL	FINISH
CENTER CONTACTS	BRASS	GOLD
OUTER CONTACT	BRASS	NICKEL
BODY	BRASS	NICKEL
CRIMP FERRULE	COPPER	NICKEL
GASKET	RUBBER	---
INSULATOR	TEFLON	---
RETAINING RING	Phosphor Bronze	---



RECOMMENDED FERRULE CRIMP SIZE



RECOMMENDED PIN CRIMP SIZE



RECOMMENDED CABLE STRIPPING

NOTES:

ELECTRICAL:

IMPEDENCE: 50 OHMS
 WITHSTAND VOLTAGE: 2500V
 FREQUENCY RANGE: 0~6 GHz
 VSWR: <1.50 @ 0~6 GHz
 DURABILITY: ≥ 500 CYCLE
 CABLE RETENTION: > 40 POUNDS

MISCELLANEOUS:

COMPONENTS SHALL BE INDIVIDUALLY PACKAGED IN ACCORDANCE WITH L-COM SPECIFICATIONS PS-0031.

ALL DIMENSIONS ARE FOR REFERENCE ONLY.

RoHS Compliant

UNLESS OTHERWISE SPECIFIED, DIMENSIONS ARE IN INCHES [mm] DIMENSIONAL TOLERANCES: .X = ±.1 .XX = ±.01 .XXX = ±.005 ANGULAR TOLERANCES: ALL = ± 1° PROJECTION 	APPROVALS DRAWN BY B.Puchaski	DATE 11/11/09		45 BEECHWOOD DRIVE NORTH ANDOVER, MA 01845	
	CHECKED BY M.Audas	11/11/09		CATEGORY CONNECTOR	
	APPROVED BY M.Audas	11/11/09	PRODUCT DESCRIPTION N STRAIGHT MALE CRIMP FOR RG8 / LMR400		
	CONFIGURATION DETAILS OF UNDIMENSIONED FEATURES MAY VARY			SIZE A	FSCM NO. 43321
COLOR VARIATIONS MAY OCCUR			DWG. NO. ANM-1406	REV. C	
SCALE: NONE			CAD FILE: ANM-1406.SLDDRW		
			SHEET 1 OF 1		

X-ON Electronics

Largest Supplier of Electrical and Electronic Components

Click to view similar products for [l-com manufacturer](#):

Other Similar products are found below :

[FOA-550A](#) [SDRA15AG](#) [UMC-201](#) [CSMN50MF-5](#) [CSMNB15MF-15](#) [TRD815RA2BL-5](#) [CA3N050](#) [CA3A-90DA-1M](#) [U3A00003-03M](#)
[CTLF3VGAMM-20](#) [HDCAMM-3](#) [U3A00014-03M](#) [ECF-SK-25](#) [CSMT15MF-10](#) [CSMT15MM-15](#) [CSMT15MM-25](#) [CSPL15MF-50](#)
[CSPL25MF-25](#) [CSPL9MF-10](#) [CSPL9MF-5](#) [CSPL25MF-5](#) [CSPL25MF-2.5](#) [AL-IPEPS](#) [NB201611-10F-1](#) [TDG1026KC5-MNL](#) [NB121005-](#)
[10F](#) [TRD855SRA6DBL-05M](#) [TRD855SRA6DBL-10M](#) [TRD855SRA7DBL-1M](#) [TRD855SRA7DBL-10M](#) [PR175SCDLCQ24](#) [TRG508-T4T-](#)
[3M](#) [TRA5261-15F](#) [TRA5261S-1F](#) [TRA6261-1F](#) [TRA6261-10F](#) [USBBFT](#) [DGB25M](#) [UJ5T568S](#) [CASATAL-18](#) [CSM25MM-10](#) [CSM37MF-](#)
[10](#) [CSUSB-100](#) [CA3A-90RA-1M](#) [CA3A-90RMICB-1M](#) [U2A00003-3M](#) [U3A00003-05M](#) [U2A00008-12I](#) [U3A00056-03M](#) [U3A00007-075M](#)