

SPECIFICATION TYPE : 8RB

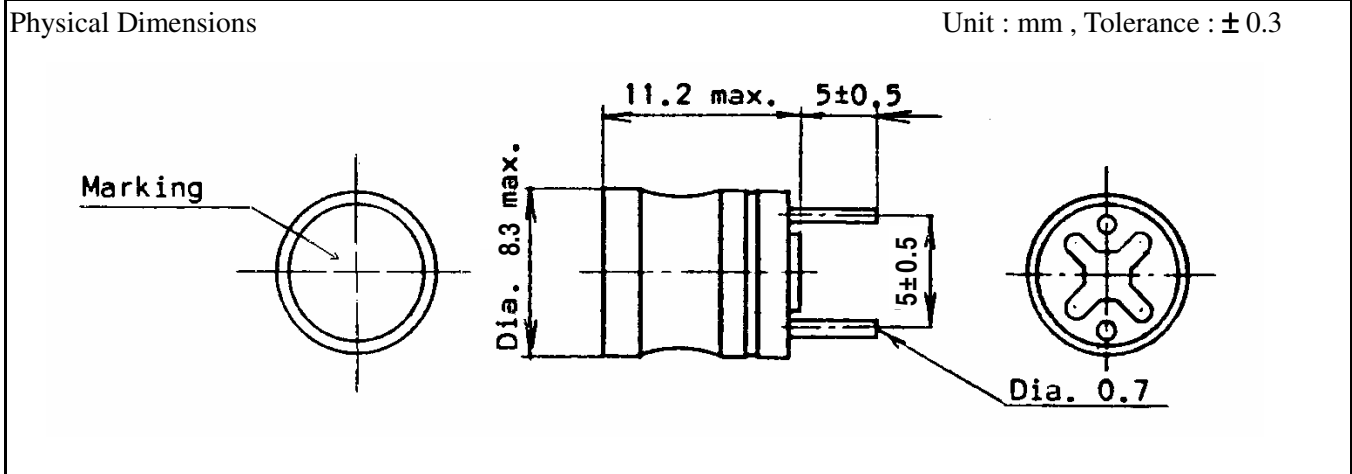


**FOR YOUR REFERENCE ONLY
(NOT OFFICIAL)**

Customer	
Customer's Dwg. Number	Rev.
Customer's Part Number	
Toko Sample Number	#187LY-363K

Approved by	
Signature	Date

One copy with your signature is required as your confirmation to our specifications.



Electrical characteristics	Specifications	Note
Inductance & Tolerance	36mH $\pm 10\%$	at 79.6kHz
Unloaded Q	100min	

Marking (Top view)	Number of turns		Wire(mm)	Connection (Bottom view) s: start of winding
	S - F	1021 (ref.)		

- Note :
- 1) Inductance and Qu measured by Q-meter MQ-1601 or equivalent.
 - 2) Above P/N is Lead-Free.
 - 3) For non automotive usage.

Approved by	Checked by	Made by		
			Orig	2011-12-21
			Issues	Sign

X-ON Electronics

Largest Supplier of Electrical and Electronic Components

Click to view similar products for [toko manufacturer](#):

Other Similar products are found below :

[TK11130CSCL-G](#) [1239AS-H-100M](#) [SW100-05C](#) [LL2012-FHL56NJB](#) [LL1608-FSL1N2S](#) [FDSD0420-H-2R2M=P3](#) [1277AS-H-1R0M](#)
[H286BAIS-6276DAD](#) [FDSD0420-H-100M=P3](#) [MDT2520-CR2R2M](#) [SW30-24F](#) [FDSD0420-H-4R7M=P3](#) [1239AS-H-1R0M](#) [1267AY-](#)
[2R2N=P3](#) [TK65025MTL](#) [1239AS-H-2R2M](#) [1255AY-4R7M=P3](#) [1255AY-2R2N=P3](#) [LL2012-FHL12NJ](#) [1277AS-H-2R2M](#) [LL2012-](#)
[FHL68NJ](#) [MDT2520-CR1R5M](#) [1239AS-H-4R7M](#) [LL1608-FSLR15J](#) [1239AS-H-R47M](#) [TK11125CSCL-G](#) [1269AS-H-2R2M](#) [1277AS-H-](#)
[1R5M](#) [1239AS-H-1R5M](#) [MDT2520-CN1R0M](#) [LL1608-FSLR27J](#) [TK71728SCL-G](#) [1269AS-H-R47M](#) [1269AS-H-4R7M](#) [1276AS-H-R47M](#)
[LL2012-FHL47NJ](#) [LL2012-FHL15NJ](#) [LL1005-FH33NJ-B](#) [LL2012-FHL27NJ](#) [H286BAIS-4963DAD](#) [LL1608-FSL5N6S](#) [LL1608-FSL3N3S](#)
[H321LNP-1436PBAB](#) [LL1608-FSL1N8S](#) [LL1608-FH1N5S](#) [LL1608-FSL22NJ](#) [LL1608-FSL3N9S](#) [LL1608-FSL4N7S](#) [LL1608-FSLR10J](#)
[LL1608-FH8N2J](#)