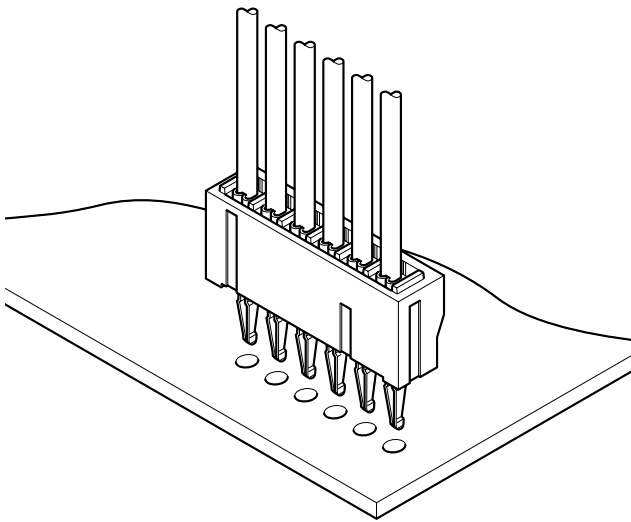


# SZN CONNECTOR

1.5mm pitch/Board-in crimp style connectors



**This low-profile, board-in connector, with a mounting height of only 4.25mm and a thickness of 2.4mm, is soldered directly onto printed circuit boards. The solder tail of the contact is resilient for easy assembly. The housing lances facilitate insertion of contacts.**

- Slim, low-profile design
- Housing lances
- Easy mounting onto printed circuit boards
- Rugged contact construction

## Specifications

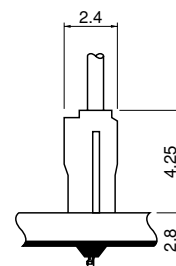
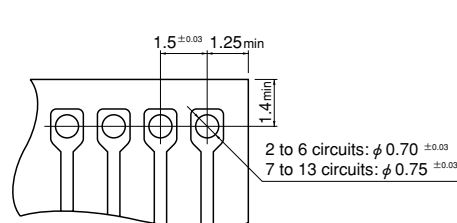
- Current rating: 0.7A AC, DC (AWG #26)
- Voltage rating: 50V AC, DC
- Temperature range: -25°C to +85°C  
(including temperature rise in applying electrical current)
- Insulation resistance: 500M  $\Omega$  min.
- Withstanding voltage: 500V AC/minute
- Applicable wire: AWG #30 to #26
- Applicable PC board thickness: 0.6 to 1.2mm
- \* Compliant with RoHS.
- \* Refer to "General Instruction and Notice when using Terminals and Connectors" at the end of this catalog.
- \* Contact JST for details.

## Standards

Recognized E60389

Certified LR20812

### PC board layout (viewed from soldering side) and Assembly layout

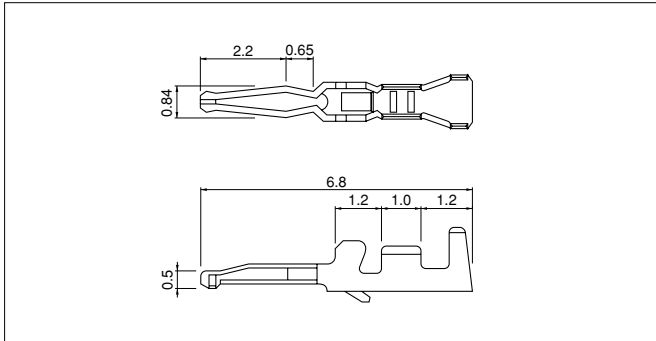


Note: 1. Tolerances are non-cumulative:  $\pm 0.03$ mm for all centers.

2. Hole dimensions differ according to the kind of PC board and piercing method. The dimensions above should serve as a guideline. Contact JST for details.

# SZN CONNECTOR

## Contact



Model No.	Applicable wire		Insulation O.D. (mm)	Q'ty/reel
	mm <sup>2</sup>	AWG#		
<b>SZN-002T-P0.7K</b>	0.08~0.13	28~26	0.8~1.1	14,000
<b>SZN-003T-P0.7K</b>	0.05~0.08	30~28	0.7~0.9	15,000

### Material and Finish

Phosphor bronze, tin-plated (reflow treatment)

### RoHS compliance

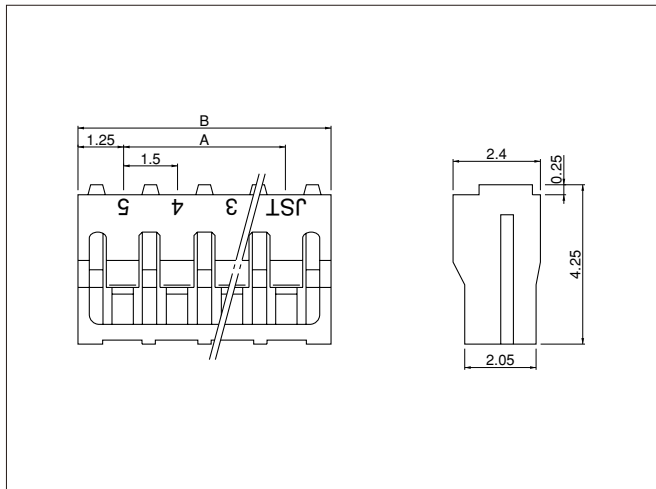
Note: Contact JST for brass products.

Contact	Crimping machine	Applicator		
		Crimp applicator	Dies	Crimp applicator with dies
<b>SZN-002T-P0.7K</b>	AP-K2N	MKS-L	MK/SZN-002-07	APLMK SZN002-07

Note: \*Strip-crimp applicator

Contact	Crimping machine	Applicator		
		Crimp applicator	Dies	Crimp applicator with dies
<b>SZN-003T-P0.7K</b>	AP-K2N	MKS-L	MK/SZN-003-07	APLMK SZN003-07
		*MKS-SC	SC/SZN-003-07	APLSC SZN003-07

## Housing



Circuits	Model No.	Dimensions (mm)		Q'ty/bag
		A	B	
2	<b>2P-SZN</b>	1.5	4.0	1,000
3	<b>3P-SZN</b>	3.0	5.5	1,000
4	<b>4P-SZN</b>	4.5	7.0	1,000
5	<b>5P-SZN</b>	6.0	8.5	1,000
6	<b>6P-SZN</b>	7.5	10.0	1,000
7	<b>7P-SZN</b>	9.0	11.5	1,000
8	<b>8P-SZN</b>	10.5	13.0	1,000
9	<b>9P-SZN</b>	12.0	14.5	1,000
10	<b>10P-SZN</b>	13.5	16.0	1,000
11	<b>11P-SZN</b>	15.0	17.5	1,000
12	<b>12P-SZN</b>	16.5	19.0	1,000
13	<b>13P-SZN</b>	18.0	20.5	1,000

### Material

PA 66, UL94V-0, natural (white)

### RoHS compliance

## X-ON Electronics

Largest Supplier of Electrical and Electronic Components

*Click to view similar products for [jst manufacturer](#):*

Other Similar products are found below :

[GS3-0.5](#) [GS8-6](#) [B08B-JWPF-SK-R](#) [B3PS-VH](#) [B5B-XH-A](#) [B5P-VH](#) [B7B-XH-A](#) [B8B-PH-SM4-TB](#) [FVGS5-6](#) [B34B-PHDSS-B\(LF\)\(SN\)](#)  
[B3B-ZR-SM4-TF](#) [B4B-PH-SM4-TB](#) [B4PS-VH](#) [B5B-PH-SM4-TB](#) [B6B-PH-SM4-TB](#) [B6B-XH-A](#) [B8B-PH-K-S](#) [IDH-KR-12](#) [10HR-4K](#) [WC-](#)  
[ZE2426](#) [WC-691](#) [WC-122](#) [FVDDF5.5-375A \(LF\)](#) [FVGS12-6 \(LF\)](#) [FVWS2-S3.3 \(LF\)](#) [FVWS5.5-5 \(LF\)](#) [B6PS-VH\(LF\)\(SN\)](#) [FNGS12-6](#)  
[TWE0.5-8](#) [FVGS4-1 \(LF\)](#) [HILR-06VF-1-S](#) [YRS-1090](#) [WC-GVH2630](#) [WC-PUD2](#) [S10B-PH-SM4-TB\(LF\)\(SN\)](#) [B4B-EH-A-TW \(LF\)\(SN\)](#)  
[B4B-XH-TW \(LF\)\(SN\)](#) [B5B-PH-TW-S \(LF\)\(SN\)](#) [B8B-PH-TW-S \(LF\)\(SN\)](#) [B9B-XH-A](#) [BM03B-GHS-TBT](#) [BM04B-GHS-TBT](#) [BM06B-](#)  
[GHS-TBT](#) [BM10B-GHS-TBT](#) [10FPZ-SM-TF\(LF\)\(SN\)](#) [YRS-852](#) [B04B-VYHSK-M-1](#) [WC-530](#) [B4B-PH-SM4-GW-TB](#) [B2B-ZR-SM4-](#)  
[TFT\(LF\)\(SN\)](#)