

FEATURES

- **Miniature size: 7.0mm x 5mm x 1.2mm height**
- **Gold-plated ceramic base with metal seam-welded lid**
- **To minimize EMI the whole crystal may be grounded**
- **Tight tolerance of ± 10 ppm for telecommunications use**
- **High shock and vibration resistance**
- **Ideal for PDAs, GPS, PCMCIA and hand-held equipment**

DESCRIPTION

Miniature surface-mount MQ crystals are produced using a ceramic substrate and fitted with a hermetically-sealed metal lid. The crystals are competitively priced, well-suited to mass-market electronic applications and may also be produced to close tolerances making this crystal a good choice for applications requiring low mass and tight tolerances.

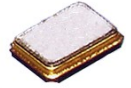
SPECIFICATION

Frequency Range		
AT-Cut Fundamental:	6.0MHz to 45.0MHz	
AT-Cut 3rd Overtone:	30.0MHz to 125.0MHz	
Calibration Tolerance at 25°C*:	from ± 5 ppm ± 10 , ± 20 ppm	(± 30 ppm standard)
Frequency stability		
-10° to +60°C	from ± 5 ppm	
-20° to +70°C	from ± 10 ppm	
-40° to +90°C	from ± 15 ppm	
-55 to +125°C	from ± 20 ppm	
Storage Temperature:	-55°~+105°C	
Effective Series Resistance:	See table	
Shunt Capacitance (C0):	2pF to 4pF typical, 7pF maximum	
Load Capacitance (CL):	Series or from 10pF to 32pF	(Customer specified CL)
Ageing:	< ± 3 ppm per year at +25°C	
Drive level:	100 μ W maximum	
Reflow Soldering:	10s maximum, 260°C twice	or 180s at 230°C, once.
Package:	Ceramic base, metal lid,	Hermetic seal
Packaging:	16mm EIA tape and reel	1000 pieces per reel
RoHS Status:	RoHS compliant and lead free	

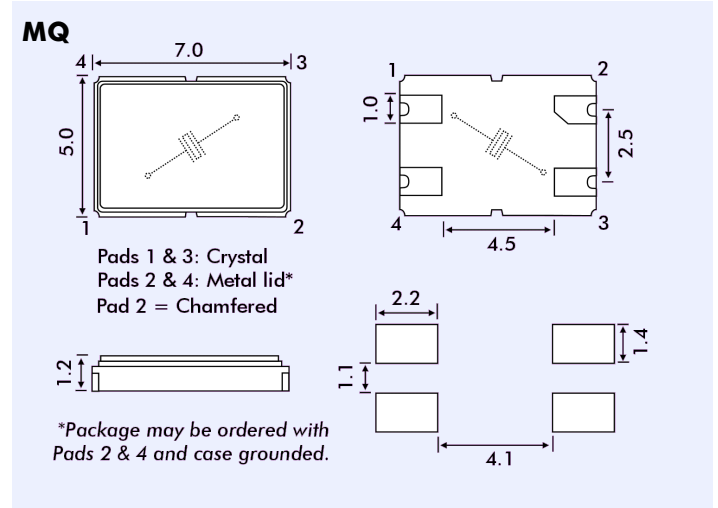
EQUIVALENT SERIES RESISTANCE

Frequency Range MHz	Crystal Cut/ Mode	ESR Ohms Max.
6.0 ~ 11.0	AT Fund.	60
11.1 ~ 14.0	AT Fund.	50
14.1 ~ 45.0	AT Fund.	40
30.0 ~ 40.0	AT 3rd OT	100
40.1 ~ 50.0	AT 3rd OT	80
50.1 ~ 125	AT 3rd OT	90

7 x 5mm SMD, 4 pad

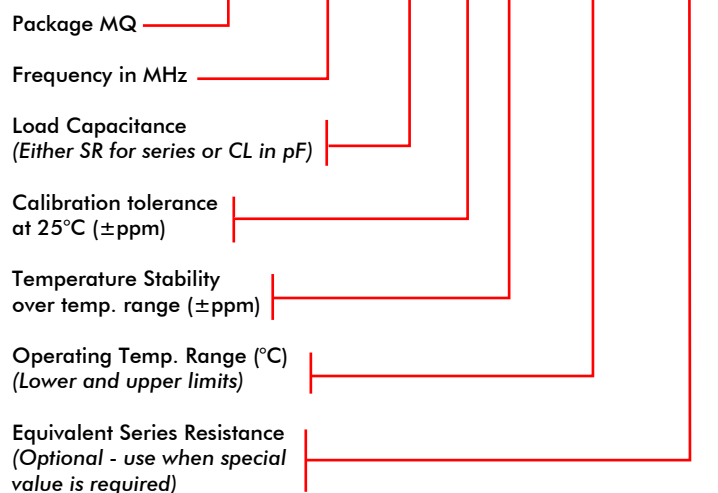


OUTLINE & DIMENSIONS



PART NUMBER FORMAT

Example: **MQ - 16.000 - 12 - 15/20/-20+70/100R**



X-ON Electronics

Largest Supplier of Electrical and Electronic Components

Click to view similar products for mercury united manufacturer:

Other Similar products are found below :

[H49-4.000-18-30/50/-40+85](#) [3H53ET-20.000](#) [H49-24.576-18-30/50/-40+85](#) [X32-25.000-12-30/30/-40+85](#) [HUS-10.000-18-30/50/-40+85](#)
[HUS-4.194304-18-30/50/-40+85](#) [H49-11.0592-18-30/50/-40+85](#) [MJ-25.000-12-30/30/-40+85](#) [H49-27.000-18-30/50/-40+85](#) [HUS-](#)
[12.000-18-30/50/-40+85](#) [H49-14.31818-18-30/50/-40+85](#) [H49-16.384-18-30/50/-40+85](#) [3H32ET-10.000](#) [3H53ET-40.000](#) [3H32ET-20.000](#)
[H49-7.3728-18-30/50/-40+85](#) [3SWOET-10.000](#) [HUS-14.31818-18-30/50/-40+85](#) [H49-24.000-18-30/50/-40+85](#) [H49-25.000-18-30/50/-40+85](#)
[M49-24.576-18-30/50/-40+85](#) [X21-26.000-12-30/30/-40+85](#) [H49-9.8304-18-30/50/-40+85](#) [HUS-7.3728-18-30/50/-40+85](#) [X21-](#)
[20.000-12-30/30/-40+85](#) [3H53ET-24.000](#) [MP24G-12.000-18P-30/50/X/80R](#)