

Surface Mount Fuse Fast Acting

Raychem Circuit Protection Products

Specification Status: Released

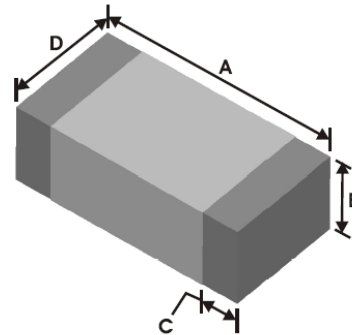
Max Electrical Rating at 25°C

Max Voltage: 0.5A-5A 32V_{DC}, 6A 24V_{DC}
Max Interrupt Current at Rated Voltage:
50A for 0.5A-1A
35A for 1.5A-6A

Termination Material: Silver, Nickel, Tin

Fuse Element: Silver

Body Material: Glass Ceramic



Dimensions

% of current rating	Clear time at 25°C
100%	4 hours min.
250%	5 seconds max.
400%	0.05 seconds max.

	A		B		C		D	
	MIN	MAX	MIN	MAX	MIN	MAX	MIN	MAX
mm:	1.45	1.75	0.65	0.95	0.21	0.51	0.65	0.95
in:	0.057	0.069	0.026	0.037	0.008	0.020	0.026	0.037

Part Number	Current Rating (A)	Voltage Rating (VDC)	Nominal Cold DCR (Ω)*
0603SFF050F/32	0.5	32	0.485
0603SFF075F/32	0.75	32	0.254
0603SFF100F/32	1.0	32	0.131
0603SFF150F/32	1.5	32	0.059
0603SFF200F/32	2.0	32	0.044
0603SFF250F/32	2.5	32	0.032
0603SFF300F/32	3.0	32	0.025
0603SFF350F/32	3.5	32	0.024
0603SFF400F/32	4.0	32	0.018
0603SFF500F/32	5.0	32	0.013
0603SFF600F/24	6.0	24	0.010

* Measured at 10% of rated current and 25°C

Agency Recognition:
Precedence:
Effectivity:

UL E197536

This specification takes precedence over documents referenced herein.

Reference documents shall be the issue in effect on the date of invitation for bid.

Materials Information

ROHS Compliant

Directive 2002/95/EC
Compliant

ELV Compliant

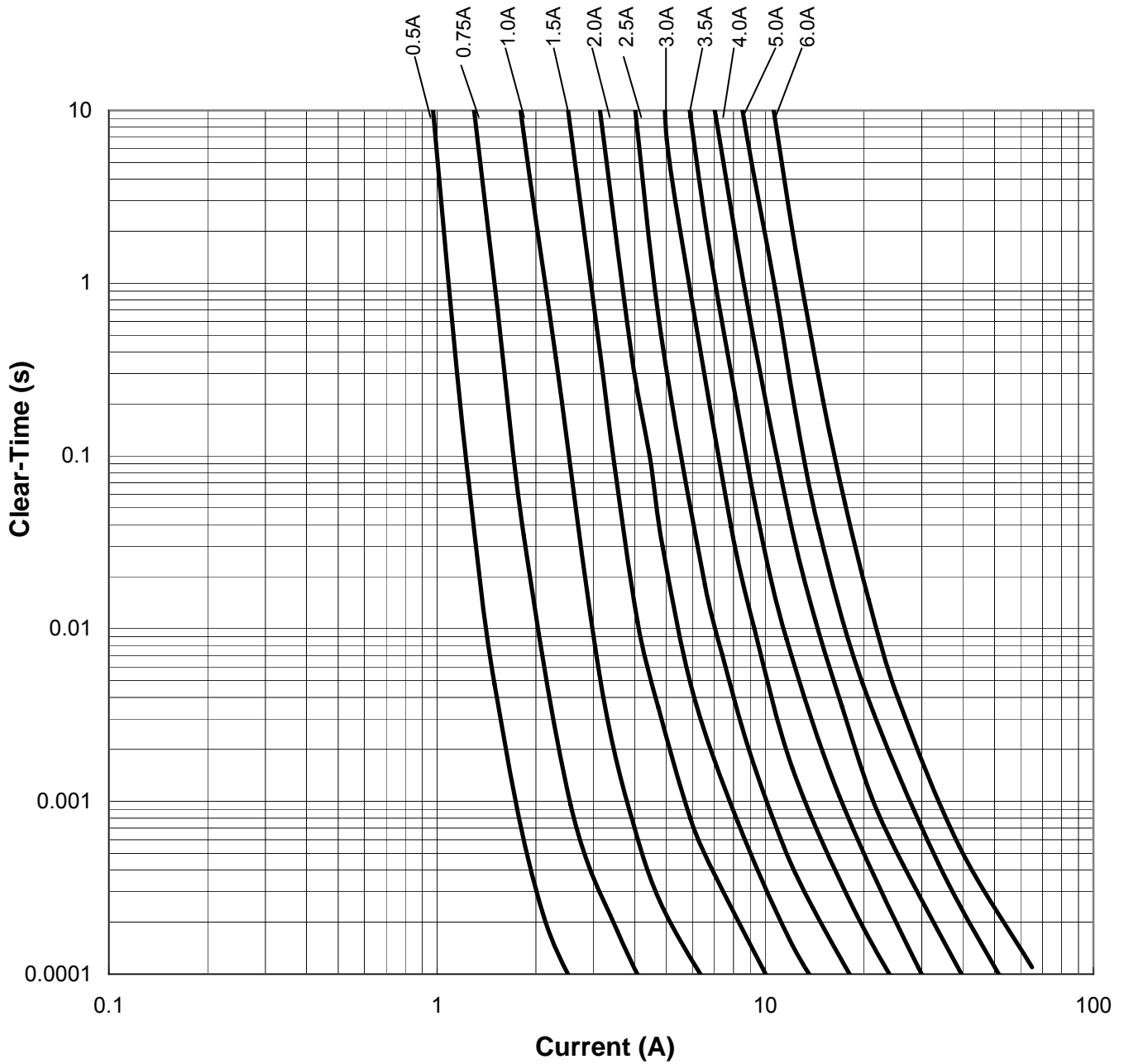
Directive 2000/53/EC
Compliant

SUPERSEDED
NOT the LATEST
REVISION

Surface Mount Fuse Fast Acting

Raychem Circuit Protection Products

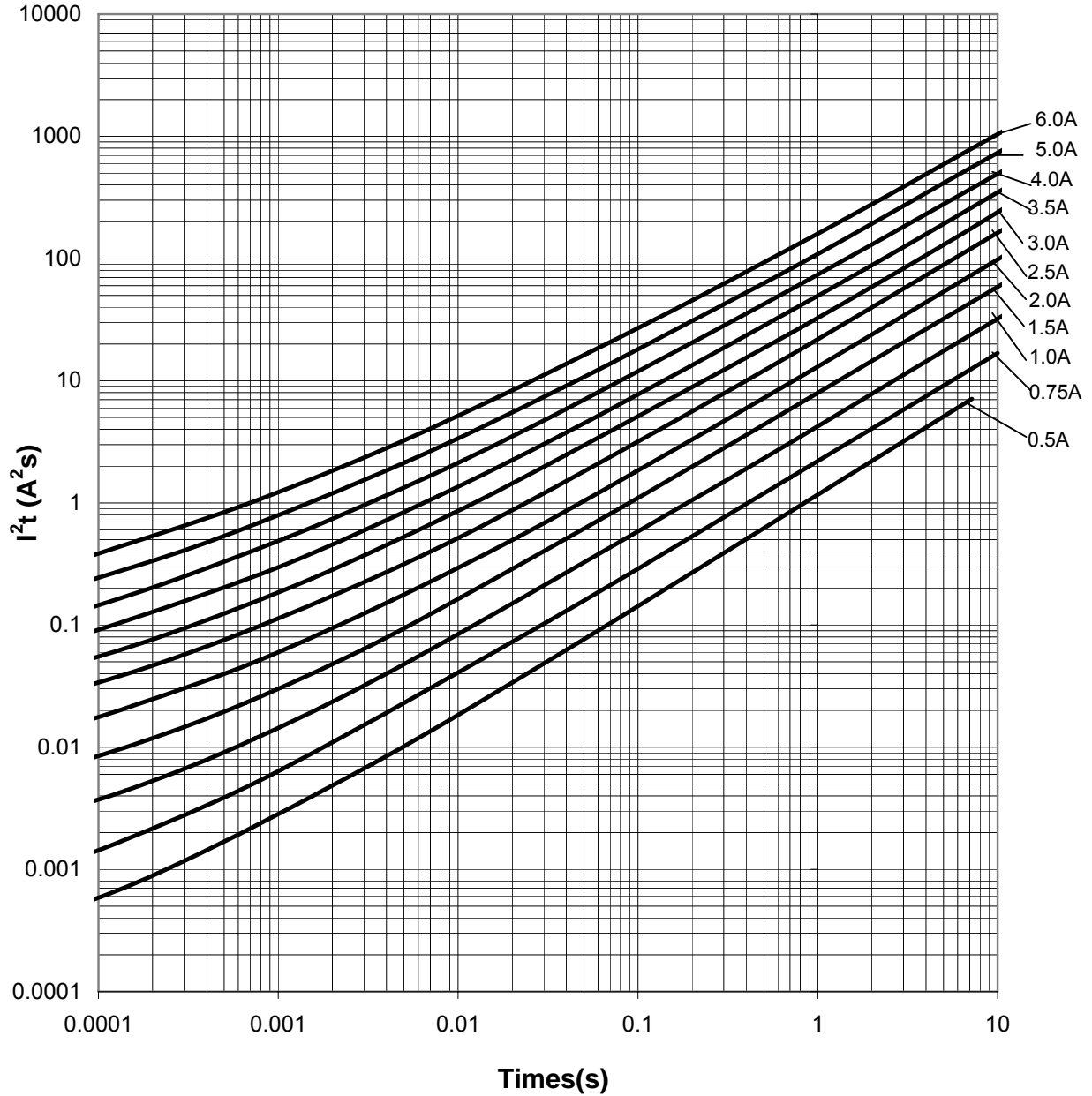
Average Clear-Time Curves



Surface Mount Fuse Fast Acting

Raychem Circuit Protection Products

Nominal I^2t vs t Curves



X-ON Electronics

Largest Supplier of Electrical and Electronic Components

Click to view similar products for [Cartridge Fuses](#) category:

Click to view products by [TE Connectivity](#) manufacturer:

Other Similar products are found below :

[MBO-20](#) [MDA-V-1/100](#) [12C10X38GI](#) [AGA-V-2-1/2](#) [AGC-V-3-12-R](#) [AGY-50](#) [MSL-3](#) [MSL-4](#) [MSL-5](#) [BK1/C436-2A](#) [BK1-GMA-1-6-R](#)
[BK1-GMA-200-R](#) [BK1GMA-6-R](#) [BK1/GMC-100-R](#) [BK1/GMC-1.5-R](#) [BK1-GMC-2-5-R](#) [BK1GMD-4-R](#) [BK1S500-250-R](#) [BK1S500-32-R](#)
[BK1-S500-4-R](#) [BK1S500-5-R](#) [BK1-S505-1-R](#) [BK1-S506-2-R](#) [BK1-S506-3-15-R](#) [BK1/S506-63-R](#) [BK/ABC-5RX](#) [BK/AGW-B-4](#) [BK/AVX-](#)
[1/4](#) [BK/C515S-250-R](#) [BK/MBO-20](#) [BK/MBO-8](#) [BK/MDM-3/4](#) [BK-MDQ-4](#) [BK/S505-V-2.5A](#) [BK/TDC120-15](#) [BK/TDC120-20](#)
[BK/TDC122-45](#) [BP/MDL-7](#) [1C10X38AM](#) [S505-V-500MA](#) [SEF-1697-1-002](#) [AGA-V-7-1/2](#) [AGC-15WX](#) [AGC-2-1-2-R](#) [20.0M6.3X32F](#)
[20C8X32GI](#) [GMC-50-R](#) [361.250](#) [MBO-8](#) [TDC121-30](#)