




Product information MAB 6 H schwarz/black

Industrial Connecting Solutions: Circular Connectors: Audio/Video Connectors: DIN EN 60 130-09 Connectors (MAS/MAK series): without locking screw: Panel-mounted sockets: MAB 6 H schwarz/black
<http://www.e-catalog.beldensolutions.com/link/57078-24228-256281-256282-24384-24385-24386-34515/en/conf/uistate>

Name	MAB 6 H schwarz/black
	
	panel-mounted socket for PCBs; not shielded; plug-in direction parallel to the PCB, recommended board thickness 1.5 mm; additionally fixing with screws (DIN 40081)
Delivery informations	
Availability	available
Product description	
Type	MAB 6 H schwarz/black
Order No.	930 778-500
Type of contact	female
Description	panel-mounted socket for PCBs; not shielded; plug-in direction parallel to the PCB, recommended board thickness 1.5 mm; additionally fixing with screws (DIN 40081)
Colour	black
Number of contacts	6
Conductor size	$\leq 0.34 \text{ mm}^2$
Technical data	
LF output "Phone"	EN 60 130-09
Pole arrangement DIN	DIN 45 322
Rated current	4 A
Rated voltage	AC/DC 34 V
Type of termination	solder
Material	
Contact material (socket)	brass
Contact surface material	tin plated
Contact bearer material	PBT/UL standard 94 V-0
Housing material	PBT/UL standard 94 V-0
Environmental conditions	
Protection class (IEC 60529)	IP 30
Temperature range	-20 °C to +60 °C

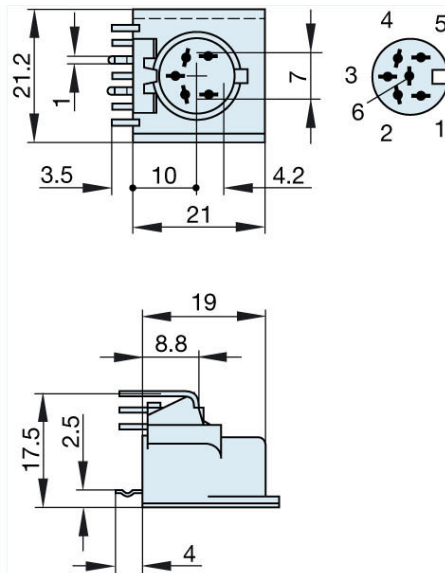


HIRSCHMANN

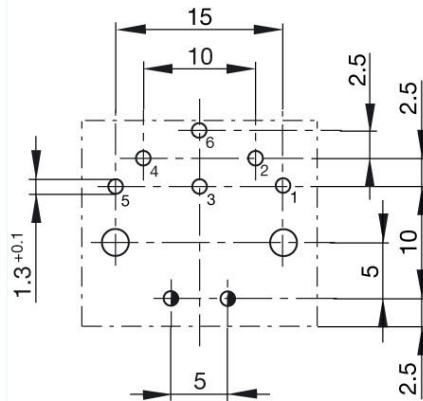
A BELDEN BRAND

Industrial Connecting Solutions: Circular Connectors: Audio/Video Connectors: DIN EN 60 130-09 Connectors (MAS/MAK series): without locking screw: Panel-mounted sockets: MAB 6 H schwarz/black
<http://www.e-catalog.beldensolutions.com/link/57078-24228-256281-256282-24384-24385-24386-34515/en/conf/ui.state>

Picture
Drawing



Arrangement of the soldering points on the components side



- : Two holes 2.4 in diameter for additional fixing with pan-head tapping screws, size ST 2.2 ... DIN ISO 1481.
- : Recommended hole diameter for locking spike 1.3 ± 0.05 .



HIRSCHMANN

A **BELDEN** BRAND

Belden Deutschland GmbH

Im Gewerbepark 2

58579 Schalksmühle

Germany

Phone: +49 7127/14-1806

E-Mail: icos-sales@belden.com

The information published in the websites has been compiled as carefully as possible. It is subject to alteration without notice in technical as well as in price-related/commercial respect. The complete information and data were available on user documentation. Mandatory information can only be obtained by a concrete query.

X-ON Electronics

Largest Supplier of Electrical and Electronic Components

Click to view similar products for [DIN Connectors](#) category:

Click to view products by [Hirschmann](#) manufacturer:

Other Similar products are found below :

[60KD4M](#) [12DL6MX](#) [12JL6M](#) [164-183](#) [17DN100-EX](#) [17DN101-EX](#) [SMD7FRA011](#) [16PJ224-E](#) [171-0278](#) [17PP048-EX](#) [M55116/1-2](#)
[KQLAX-8P](#) [M55116/10-0](#) [SMD5FRA021](#) [15AN84X](#) [13AL6FX](#) [61GA5F](#) [152-002-2-4](#) [0134 05](#) [MDC-004](#) [MDC-104](#) [MDC-204](#) [MDC-208](#)
[12BPKG](#) [DC-001](#) [DC-007](#) [591-0400](#) [591-0500](#) [DS1093-01-BN40](#) [593-0700](#) [MJ-372-4](#) [MJ-372-6](#) [MJ-372-8](#) [57PC5M](#) [592-0301](#) [592-0511](#)
[164-377](#) [610-0520](#) [0105 05](#) [0105 08](#) [0107 08-1](#) [690-0300](#) [0132 05](#) [930009200 MAB 4](#) [930071200 MAB 5 S](#) [930303517 MAB 3100 S](#)
[GRAU](#) [930345200 MAB 8 S](#) [930356517 MAS 70 S GRAU](#) [930952517 MAB 5100](#) [930954517 MAB 6100 GRAU](#)