




## Product information STASAP 2 B grau/grey

Industrial Connecting Solutions:Rectangular Connectors:Power Connectors (ST series):Surface mounted connector:STASAP 2 B grau/grey

<http://www.e-catalog.beldensolutions.com/link/57078-24228-256261-24351-24357-36013/en/conf/ui/state>

Name	STASAP 2 B grau/grey
	
	Surface mounted connector with cast baseplate, additional sealing for IP 54 necessary
<b>Delivery informations</b>	
Availability	available
<b>Product description</b>	
Description	Surface mounted connector with cast baseplate, additional sealing for IP 54 necessary
Type	STASAP 2 B grau/grey
Order No.	930 822-106
Type of contact	male
Number of contacts	2 + PE
Conductor size	max. 1.5 mm <sup>2</sup>
Housing Color	grey
Contact bearer color	black
<b>Technical data</b>	
Pin dimensions	2 mm
Rated voltage	AC/DC 250 V
Rated current	DC 10 A / AC 16 A
Contact resistance	<= 5 mOhm
Type of termination	screws
Mounting	Schrauben
<b>Material</b>	
Contact material	Cu Zn
Contact surface material	Sn
Contact bearer material	PA
Housing material	PA
<b>Environmental conditions</b>	
Protection class (IEC 60529)	IP 54
Pollution severity	3
Temperature range	-30 °C to +90 °C
<b>Inflammability class</b>	
Housing	UL 94 HB
Contact bearer	UL 94 V-0
<b>Approvals</b>	
UL	UL
VDE	VDE
SEV	SEV
<b>Packing unit</b>	
Packaging unit	100 pieces
<b>Scope of delivery and accessories</b>	
Accessories to order separately	safety brackets STASI 2, order no. 732 044-000



# HIRSCHMANN

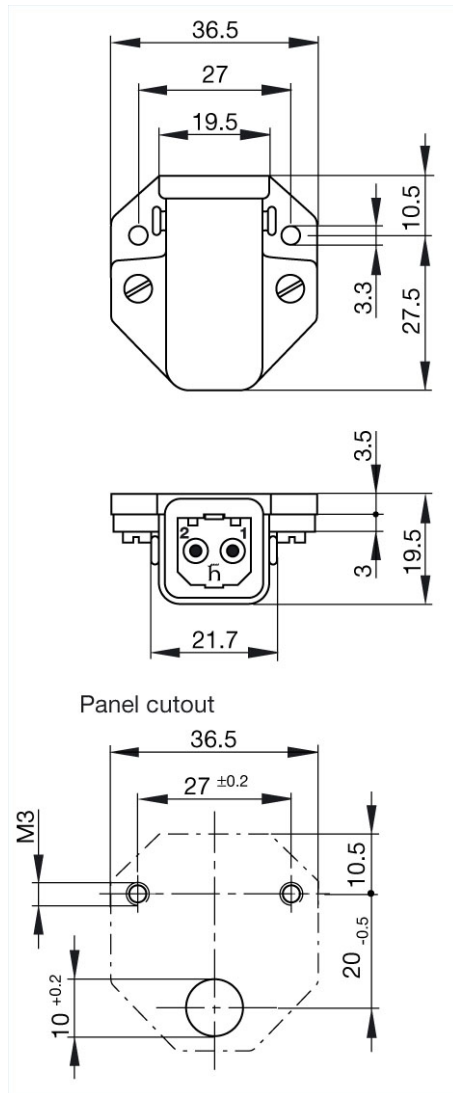
A BELDEN BRAND

Industrial Connecting Solutions:Rectangular Connectors:Power Connectors (ST series)-Surface mounted connector:STASAP 2 B grau/grey

<http://www.e-catalog.beldensolutions.com/link/57078-24228-256261-24351-24357-36013/en/conf/ui/state>

Picture

Drawing



#### Belden Deutschland GmbH

Im Gewerbepark 2

58579 Schalksmühle

Germany

Phone: +49 7127/14-1806

E-Mail: [icos-sales@belden.com](mailto:icos-sales@belden.com)

The information published in the websites has been compiled as carefully as possible. It is subject to alteration without notice in technical as well as in price-related/commercial respect. The complete information and data were available on user documentation. Mandatory information can only be obtained by a concrete query.

## X-ON Electronics

Largest Supplier of Electrical and Electronic Components

*Click to view similar products for [Standard Circular Connector](#) category:*

*Click to view products by [Hirschmann](#) manufacturer:*

Other Similar products are found below :

[C015](#) [10F006](#) [001](#) [1](#) [5M2530B10P](#) [600247N007](#) [600259N006](#) [600273N007](#) [600432N009](#) [6280-2PG-519](#) [6280-3PG-311](#) [6280-3SG-311](#)  
[6280-7SG-3DC](#) [6280-7SG-522](#) [6282-5PG-311](#) [6282-6PG-519](#) [6282-8SG-311](#) [6283-11](#) [6283-15](#) [6290](#) [6293](#) [6382-2PG-311](#) [6382-2PG-3DC](#)  
[6382-2SG-321](#) [6382-2SG-3DC](#) [6382-4SG-516](#) [67-03E20-37P](#) [681-PMG](#) [CXC3106A1811S](#) [CXS3102A14S2P](#) [CXS3102A181S](#)  
[CXS3106A14S6S](#) [D38999/20FC8SA L/C](#) [MB12P-1](#) [MB12R-6](#) [7251-2PG-300](#) [7251-2SG-300](#) [7251-4PG-300](#) [7251-4SG-300](#) [7251-5PG-300](#)  
[7251-5SG-300](#) [7251-6SG-300](#) [7251-7PG-300](#) [7251-8PG-300](#) [7271-6SG-300](#) [7282-3PG-300-CH3](#) [73000005663](#) [75-190011-03P](#) [75-190216-08S](#) [75-190218-10P](#) [75-214636-52P](#) [75-474118-10P](#) [75-474211-03P](#)