

8

7

6

5

4

3

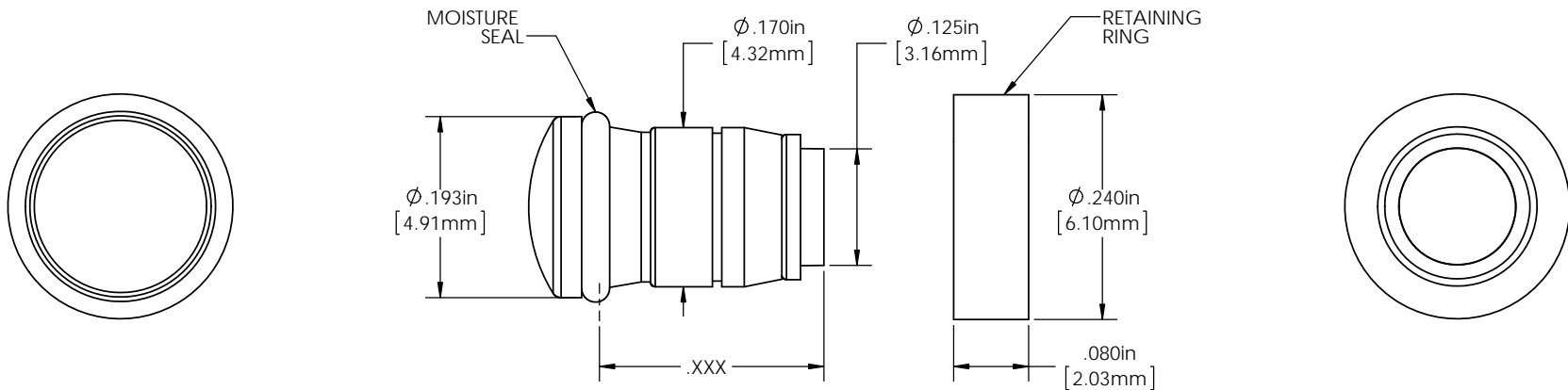
2

1

NOTES:

1. ROHS COMPLIANT
2. MATERIAL:
 LIGHTPIPE - ACRYLIC (CLEAR OPTICAL GRADE), UL 94-HB
 LENS - POLYCARBONATE, UL 94-V2
 SEAL - EPDM
 RETAINING RING - POLYPROPYLENE (BLACK)
3. MOUNTING: MOUNTS IN A $\phi .171" \pm .002$ [$\phi 4.34\text{mm} \pm .05$] PANEL HOLE ON
 .250" [6.35mm] CENTER
4. PANEL HOLE SHALL BE DÉBURRED, BUT NOT CHAMFERED
5. PANEL THICKNESS: .031" [.8mm] TO .094" [2.39mm]
6. ASSEMBLY:
 A.) INSERT LITEPIPE THROUGH PANEL HOLE
 B.) PRESS ON RETAINING RING TO SECURE UNIT TO PANEL
 C.) SLIDE PCB INTO POSITION ALIGNING LED WITH END OF LITEPIPE UNIT
7. U.S AND FOREIGN PATENTS ISSUED

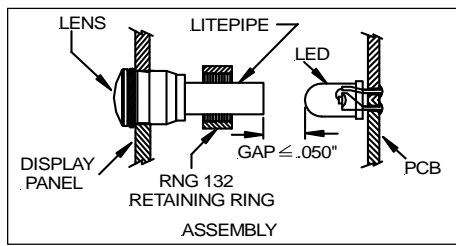
REVISIONS					
ECN #	REV.	DESCRIPTION	DATE	INITIALS	CHK'D
391	000	INITIAL RELEASE	2/20/12	KH	AZ



ORDERING CODE: LSS XXX XXX

LITEPIPE	
XXX =	LENGTH
024	.240" (6.10mm)
044	.440" (11.18mm)
064	.640" (16.26mm)
084	.840" (21.34mm)
104	1.04" (26.4mm)
124	1.24" (31.5mm)
CUSTOM LENGTHS AVAILABLE UPON REQUEST	

LENS	
XXX =	COLOR
RTP	RED TRANSPARENT
ATP	AMBER TRANSPARENT
GTP	GREEN TRANSPARENT
BTP	BLUE TRANSPARENT
YTP	YELLOW TRANSPARENT
CTP	CLEAR TRANSPARENT



DIMENSION STYLE: INCHES / MM GENERAL TOLERANCES UNLESS OTHERWISE SPECIFIED: INCHES: X .020 .050 .080 X .010 .020 .030 XXX .005 .010 .012 ANGLE: 1:1 BREAK AND CHAMFER AND SHARP EDGES 90° MAX THIRD ANGLE PROJECTION PROPRIETARY AND CONFIDENTIAL THE INFORMATION CONTAINED IN THIS DRAWING IS THE SOLE PROPERTY OF VISUAL COMMUNICATIONS COMPANY, INC. ANY REPRODUCTION IN PART OR AS A WHOLE WITHOUT THE WRITTEN PERMISSION OF VISUAL COMMUNICATIONS COMPANY, INC IS PROHIBITED.	APPROVAL	DATE
	DRAWN: KHOWARD	2/20/12
	CHECKED: AZANELLI	3/6/12
MATERIAL	SEE NOTES	
FINISH	SEE NOTES	
DO NOT SCALE DRAWING		

12780 DANIELSON CT. SUITE A. POWAY, CA 92064 U.S.A PHONE: (800) 522-5546 EMAIL: vcsales@vcc-lite.com		
TITLE: ASSY, 3MM MOISTURE SEALED LITEPIPE		
SIZE: B	DWG. NO.: LSS XXX XXX	REV: 000
SCALE: 8:1		SHEET 1 OF 1

8

7

6

5

4

3

2

1

X-ON Electronics

Largest Supplier of Electrical and Electronic Components

Click to view similar products for [visual communications manufacturer](#):

Other Similar products are found below :

[VAOL-3MCE2](#) [7349](#) [139A-403A](#) [25P-607W](#) [LPC_127_CTP](#) [STD600BLK](#) [CMC01R](#) [CNXBE4218](#) [5314N1](#) [4302H5-5V](#) [1092D3-28V](#)
[VC1510145W3](#) [5110F1-5V](#) [B2A-10PK](#) [6S6/30V-10PK](#) [1091M1-24V](#) [CMD95-21VRC/TR10](#) [CNX"C"E"4"1"04](#) [2SB-NWG48H](#) [2SB-](#)
[NWW48H](#) [7512D2](#) [2191U5-12V](#) [2191L5-12V](#) [CNX_310_220_E_4_1_08](#) [CNX310033X4124](#) [3150-10PK](#) [4304H5](#)
[CNX_410_220_X02_4_1_24](#) [LFC063CTP](#) [5400A1](#) [CMD15-21UBC/TR8](#) [LMS_113_CTP](#) [CTHS15CIC06ALARM](#) [CTHS15CIC04ONOFF](#)
[STD_850_BLK](#) [SML_190_RTP](#) [2110A1](#) [5302H5-5V](#) [CNX722C50024W](#) [DSM7UA30105](#) [CNX"482"1"RTP"12](#) [L79D-Y125-W](#) [5300H6](#)
[LMC120CTP](#) [2191QL7-24V](#) [5352T1-5VLC](#) [CMC_323_CTP](#) [6013M5](#) [PS90](#) [CNX722C200FVB](#)