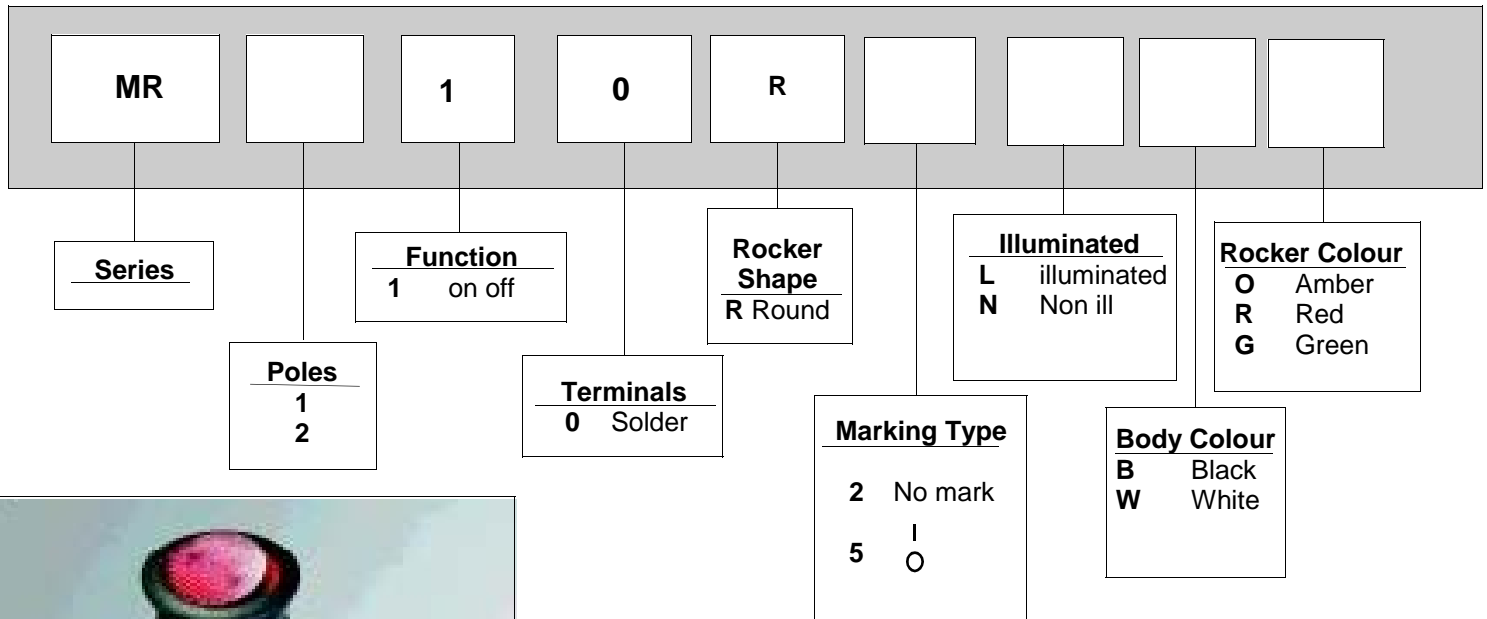




MR-R-SERIES

DOUBLE POLE ROUND ROCKER SWITCHES UP TO 12A 125VAC
Illuminated, non-illuminated



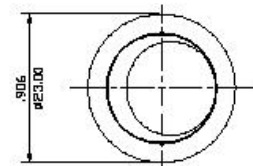
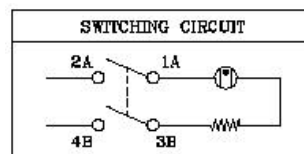
TECHNICAL SPECIFICATION

- Switch for Class II appliances
- Base : Nylon 66, UL rated 94V-2 min
- Actuator : Nylon 66, UL rated 94V-2 min
- Movable Contact arm : Phosphorus bronze
- Movable Contact : Silver-cadmium alloy
- Fixed Contact : Silver-cadmium alloy
- Terminals : Silver plated copper
- Lamp : Neon (Red and Amber), Fluorescent (Green) 240V supply as standard, other voltages on request.

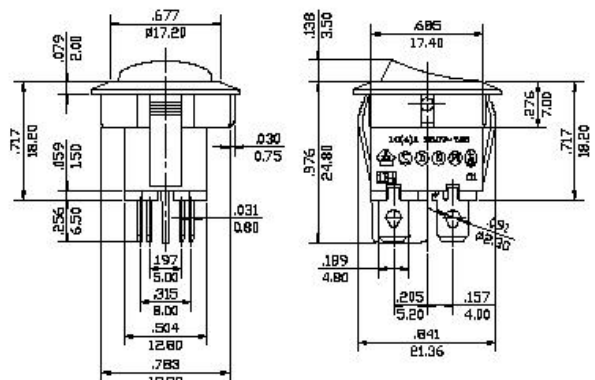
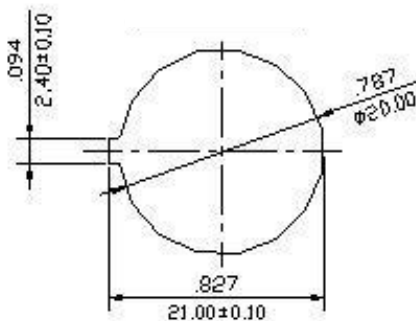
MATERIAL SPECIFICATION

- 12A 125VAC, 10A 250VAC 1/4HP (CSA)
- 10A 125VAC, 8A 250VAC 1/4HP (UL)
- 10(4)A 250V~T85(VDE, SEMKO, DEMKO, NEMKO, FIMKO, SEV)
- Initial contact resistance : 20m ohm MAX.
- Insulation resistance : 100M ohm MIN. at 500VDC
- Dielectric strength : 1,000VAC FOR 1 MINUTE.
- Electrical life : 10,000 cycles.
- Temperature range : -20 to + 85 degrees in Celsius

DIMENSIONS



PANEL CUTOUT



APEM COMPONENTS LTD

Drakes Drive, Long Crendon, Bucks HP18 9BA

Tel: +44 (0) 1844 202400

Fax: +44 (0) 1844 202500

Web site: <http://www.apem.co.uk>

e-mail: sales@apem.co.uk

X-ON Electronics

Largest Supplier of Electrical and Electronic Components

Click to view similar products for [Rocker Switches](#) category:

Click to view products by [Apem](#) manufacturer:

Other Similar products are found below :

[VKD2GHNB-00000-000](#) [VSD2GNNB-00000-000](#) [6-1571986-5](#) [6-1571986-9](#) [632422-4B-KD](#) [7036WWCDBX653+U622](#) [8055K52Z7V](#)
[8138K20E6M50](#) [FMC18A2200002](#) [84206L](#) [84312LX](#) [PREDD4-07F-BB0FW](#) [PREDD5-07F-BB0GW](#) [PRFDD1-16F-BB000](#) [PRFDD3-16F-](#)
[BB000](#) [1-1634201-0](#) [999-16702-001](#) [A101J2ZQ004](#) [A101J4ZQ004](#) [A101J51CB0004](#) [A107J51ZQ0004](#) [A201J1AQ004](#) [A201J1AV2Q004](#)
[A201J3ZB004](#) [A201J50ZQ004](#) [A203J51ZQ0004](#) [A226L11YZQ](#) [A22L11A](#) [A435S1YZQ](#) [H8500XBBBBL-A](#) [H8653VBBG2577W](#)
[HB130CHNWWNAAC](#) [1251.0303](#) [AE205J60V3B004](#) [RH110C2NBB](#) [1352.0107](#) [1363.0201](#) [AML25GBF2AA03GR](#) [1571099-3](#) [1571987-4](#)
[1571987-5](#) [1571989-7](#) [B123J77V7B2](#) [B226J50W4Q22P](#) [B433J37ZQ22M](#) [160212E](#) [1801.1164](#) [1831.1102](#) [1833.3402](#) [1837.1118](#)