

# Sounders

## Sonos Sounder (DC)



### Features

- Simple 'First Fix' installation (no second fix wiring)
- Quick connect/disconnect
- Tone and volume can be preset or adjusted off-base
- Weatherproof to IP65 (deep base units)
- Synchronised alarm tones
- Volume control - 20dB
- LPCB, VdS & NF approved

### Overview

A general purpose electronic sounder for fire, security and industrial applications; the Sonos Sounder is certified to EN54.

With the TimeSaver base, connections are made to the base during the initial wiring phase which results in faster and more reliable installation. The sounder head 'twists and clicks' into the base on commissioning, avoiding the wiring and connection problems associated with traditional sounders.

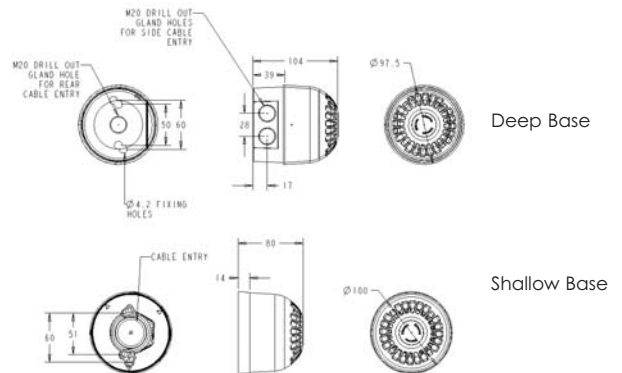
With a choice of 32 tones including all the major international standards, the Sonos Sounder has universal acceptance.

Deep base units have weatherproof protection to IP65 and can be used in all locations both indoors and outdoors.

Sonos Sounder units are available in either red or white and with a choice of deep or shallow TimeSaver base. Other colours are available depending on quantity.

### Applications

- Fire; security; industrial alarm



- Fire
- Security
- Industrial
- Railway/Marine
- Hazardous Area
- Public Warning

Part No.	Colours	Audibility at 1m (tone dependent)	Tones	Voltage*	Current (tone dependent)
18-980450 (shallow base)	Red	Up to 106dB (A)	32	9-60V DC	4-41mA
18-980475 (shallow base)	White	Up to 106dB (A)	32	9-60V DC	4-41mA
18-980451 (deep base)	Red	Up to 106dB (A)	32	9-60V DC	4-41mA
18-980476 (deep base)	White	Up to 106dB (A)	32	9-60V DC	4-41mA

\*EN54 compliant at 17-60V

Other colours/combinations are available on request

**IP Rating:** IP65 (deep base)    **Rating:** Continuous    **Frequency:** 400-2850Hz    **Operating Temp:** -25°C to +70°C  
**Construction:** Flame Retardant Polycarbonate    **Cable Entries:** Deep Base: 2 x 20mm cable glands  
**Weight:** 215g (shallow base) 250g (deep base)    **Compliance:** EN54 3 Type A (shallow base) EN54 3 Type B (deep base)

## **X-ON Electronics**

Largest Supplier of Electrical and Electronic Components

*Click to view similar products for [klaxon](#) manufacturer:*

Other Similar products are found below :

[PNS-0011](#) [PNV-0006](#) [SLD-0002](#) [PSS-0063](#) [PNV-0018](#) [PNC-0013](#) [PNV-0001](#) [18-980228](#) [SLE-0004](#) [QBS-0023](#) [18-980205](#) [QBS-0038](#)  
[PSB-0004](#) [QBS-0065](#) [18-980476](#) [QBS-0042](#) [QBS-0026](#) [QBS-0052](#) [QBS-0056](#) [PNC-0009](#) [PNS-0009](#) [PNC-0007](#) [QBS-0063](#) [PSS-0096](#)  
[QBS-0022](#) [QBS-0002](#) [PSS-0094](#) [PSB-0017](#) [18-980451](#) [PSB-0026](#) [PSB-0040](#) [QBS-0067](#) [PNC-0002](#) [PSB-0002](#) [QBS-0058](#) [QBS-0017](#) [SLA-0002](#) [PSB-0039](#) [QBS-0047](#) [PSB-0009](#) [PSB-0031](#) [QBS-0018](#) [QBS-0020](#) [QBS-0054](#)