

# Data Sheet

## SP064xxVGNN

Page 1/4

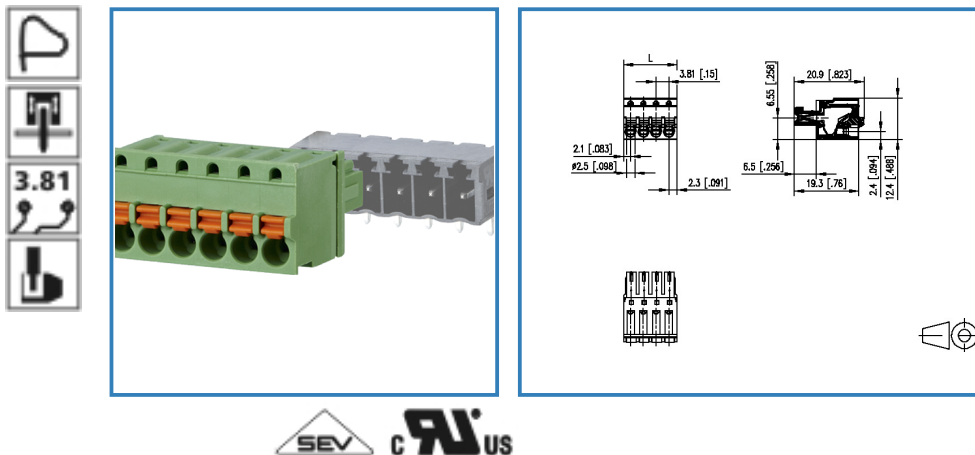
P/N

ASP064xx

xx=number of poles

2013/12/05

### Illustration



see enlarged drawing at the end of the document

### Product specification

- spring clamp terminal block, pluggable
- centerline 3.81 mm, direction of connection vertical 0°
- color green
- push-button, wire entry uncodeable side parallel to plug direction
- Connection data

**CRIUS** V / A / AWG 150 / 8 / 28 - 16

**SEV** 9 A / 130 V / 2.5 kV / 3 / IEC 61984 / 0.08 - 1.5 mm<sup>2</sup>

# Data Sheet

## SP064xxVGNN

Page 2/4

P/N

ASP064xx

xx=number of poles

2013/12/05


### Technical Data

#### General Data

min. number of poles	2		
max. number of poles	24		
Insulating material class	CTI 600		
clearance/creepage dist.	1.9 mm		
protection category	IP 20		
Overvoltage category	III	III	II
Pollution degree	3	2	2
Rated voltage	125 V	320 V	320 V
Rated test voltage	2.5 kV	2.5 kV	2.5 kV

#### Connection data

 V / A / AWG	150 / 8 / 28 - 16
--	-------------------

	9 A / 130 V / 2.5 kV / 3 / IEC 61984 / 0.08 - 1.5 mm <sup>2</sup>
--	---

#### Material

insulating material	PA66
flammability class	V0

#### Climatic properties

upper limit temperature	105 °C
lower limit temperature	-40 °C

#### General

Tolerance	ISO 2768 -mH
-----------	--------------

# Data Sheet

## SP064xxVGNN

Page 3/4

P/N

ASP064xx

xx=number of poles

2013/12/05

### Matching Part

P/N	Product name
311901	PR044xxHBBN Typ 190
311911	PR044xxVBBN Typ 191
313821	PT094xxHBBN Typ 382
313831	PT094xxVBBN Typ 383

### Accessories

P/N	Product name
700025-01-9	700025

# Data Sheet

## SP064xxVGNN

Page 4/4

P/N

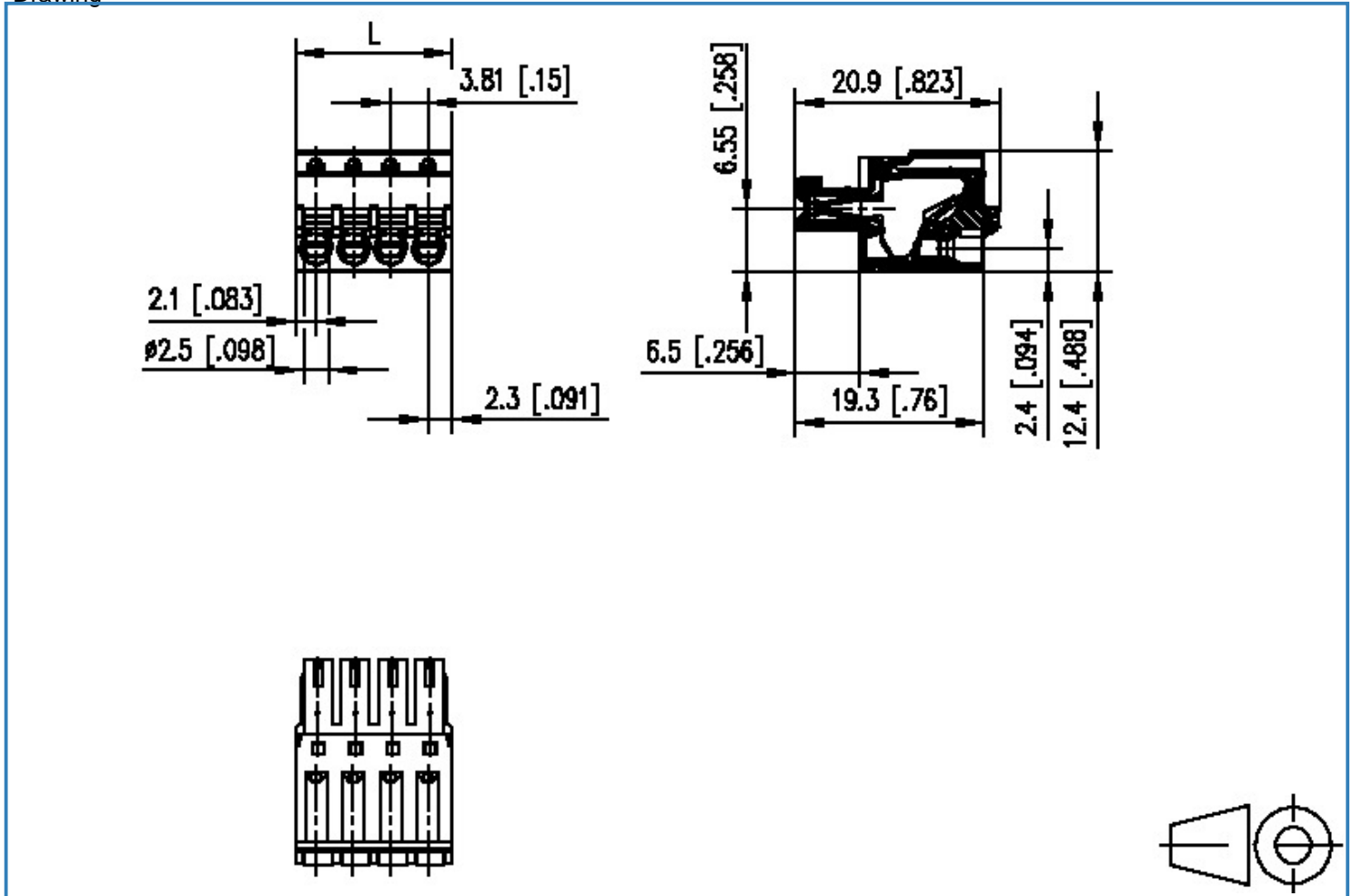
ASP064xx

xx=number of poles

2013/12/05

### Illustration

Drawing



$L = (\text{pole size} - 1) \times \text{centerline} + 4.6 [0.181]$



METZ CONNECT GmbH

Im Tal 2 | 78176 Blumberg | Germany | [www.metz-connect.com](http://www.metz-connect.com)

Phone +49 7702 533-0 | Fax +49 7702 533-433

Montageanleitung / Mounting instruction siehe / see [www.metz-connect.com](http://www.metz-connect.com)

Members of METZ CONNECT



## X-ON Electronics

Largest Supplier of Electrical and Electronic Components

*Click to view similar products for [metz manufacturer](#):*

Other Similar products are found below :

[ASP0631006](#) [142M2X19020](#) [142M2X25005](#) [AST0820406](#) [1108861321](#) [1108311319](#) [1108501319](#) [11089313](#) [142M2X1C050](#) [841ER-1.17L](#)  
[ASP0450401](#) [130920-E](#) [130924-E](#) [1108841319](#) [110304412004](#) [1108831326](#) [15024AD206-E](#) [150240C30310S](#) [1528SBGT19E](#)  
[142M2X15010](#) [31189102](#) [11085813](#) [810-500](#) [31336104](#) [ASP0430922](#) [AST0450504](#) [AST1350604](#) [SP06502VBNF](#) [506](#) [142M1D11100](#)  
[31072103](#) [810-15](#) [142M1D19020](#) [31251104](#) [31359104](#) [834B-375ML](#) [832WC-3L](#) [31009105](#) [31020205](#) [31024102](#) [31027103](#) [ASP0251204](#)  
[130922-03-E](#) [150240C30610E](#) [11027605](#) [1108341319](#) [142M2X15030](#) [1401110012KE](#) [142M2X11010](#) [31059105](#)