

Data Sheet

SP064xxVGNF

Page 1/4

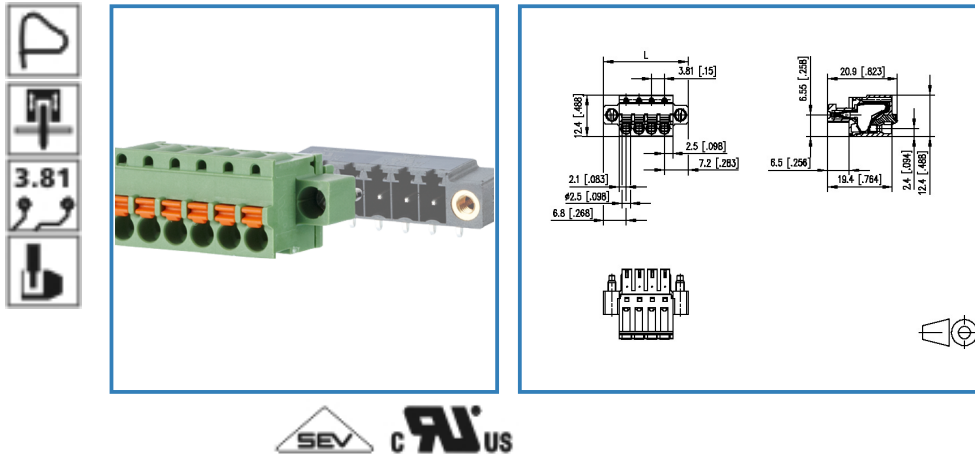
P/N

ASP084xx

xx=number of poles

2013/12/05

Illustration




see enlarged drawing at the end of the document

Product specification

- spring clamp terminal block, pluggable
- centerline 3.81 mm, direction of connection vertical 0°
- color green, mounting flange
- push-button, wire entry uncodeable side parallel to plug direction
- Connection data

 V / A / AWG 150 / 8 / 28 - 16

 9 A / 130 V / 2.5 kV / 3 / IEC 61984 / 0.08 - 1.5 mm²



Data Sheet

SP064xxVGNF


Technical Data

General Data

min. number of poles	2		
max. number of poles	24		
Insulating material class	CTI 600		
clearance/creepage dist.	1.9 mm		
protection category	IP 20		
Overvoltage category	III	III	II
Pollution degree	3	2	2
Rated voltage	125 V	320 V	320 V
Rated test voltage	2.5 kV	2.5 kV	2.5 kV

Connection data

 V / A / AWG	150 / 8 / 28 - 16
--	-------------------

	9 A / 130 V / 2.5 kV / 3 / IEC 61984 / 0.08 - 1.5 mm ²
--	---

Material

insulating material	PA66
flammability class	V0

Climatic properties

upper limit temperature	105 °C
lower limit temperature	-40 °C

General

Tolerance	ISO 2768 -mH
-----------	--------------

Data Sheet

SP064xxVGNF

Page 3/4

P/N

ASP084xx

xx=number of poles

2013/12/05

Matching Part

P/N	Product name
313901	PR044xxHBBF Typ 390
313911	PR044xxVBBF Typ 391
313921	PT094xxHBBF Typ 392
313931	PT094xxVBBF Typ 393

Accessories

P/N	Product name
700025-01-9	700025

Data Sheet

SP064xxVGNF

Page 4/4

P/N

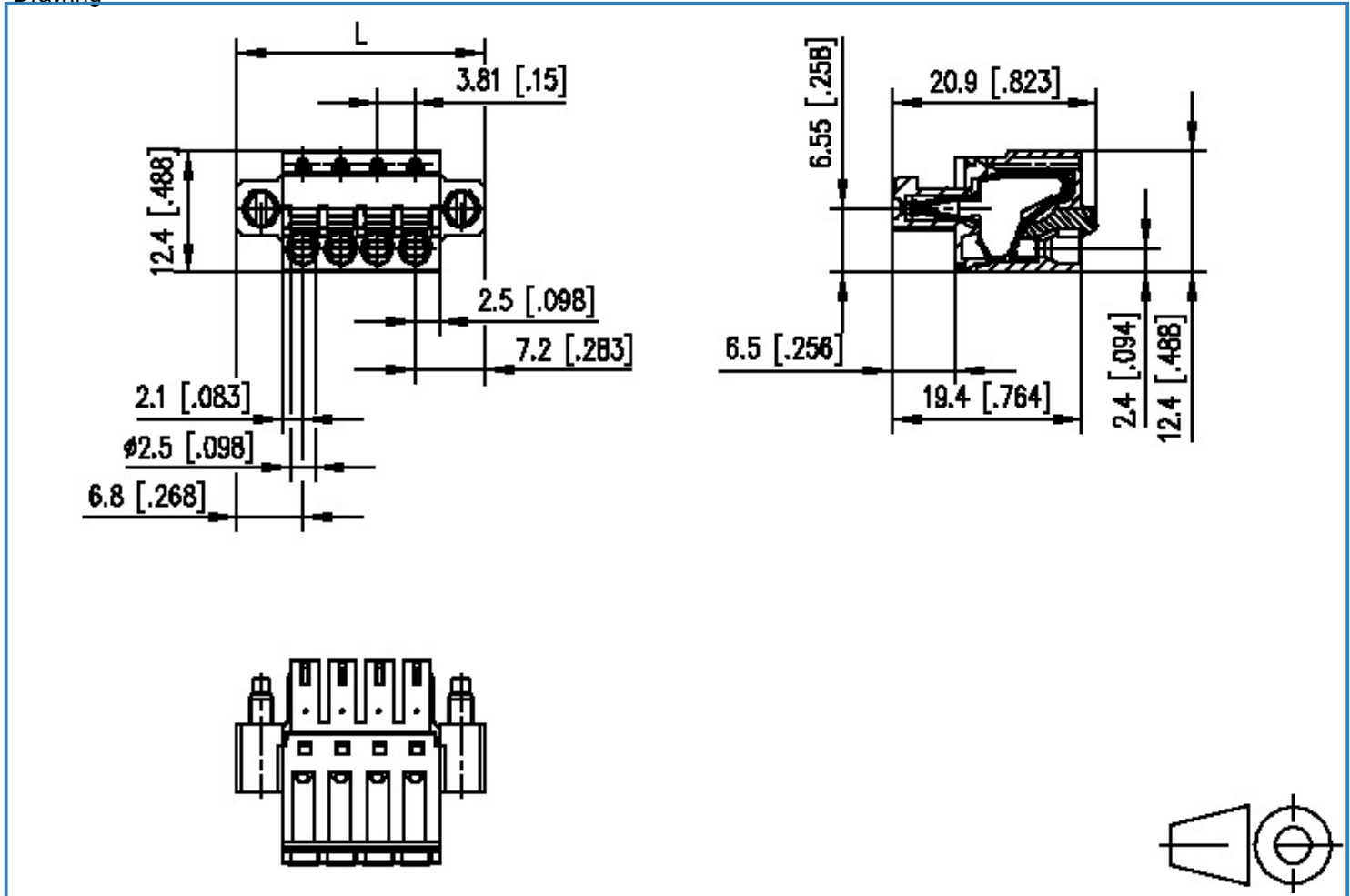
ASP084xx

xx=number of poles

2013/12/05

Illustration

Drawing



$L = (\text{pole size} - 1) \times \text{centerline} + 13.96 [0.55]$



X-ON Electronics

Largest Supplier of Electrical and Electronic Components

Click to view similar products for [metz manufacturer](#):

Other Similar products are found below :

[ASP0631006](#) [142M2X19020](#) [142M2X25005](#) [AST0820406](#) [1108861321](#) [1108311319](#) [1108501319](#) [11089313](#) [142M2X1C050](#) [841ER-1.17L](#)
[ASP0450401](#) [130920-E](#) [130924-E](#) [1108841319](#) [110304412004](#) [1108831326](#) [15024AD206-E](#) [150240C30310S](#) [1528SBGT19E](#)
[142M2X15010](#) [31189102](#) [11085813](#) [810-500](#) [31336104](#) [ASP0430922](#) [AST0450504](#) [AST1350604](#) [SP06502VBNF](#) [506](#) [142M1D11100](#)
[31072103](#) [810-15](#) [142M1D19020](#) [31251104](#) [31359104](#) [834B-375ML](#) [832WC-3L](#) [31009105](#) [31020205](#) [31024102](#) [31027103](#) [ASP0251204](#)
[130922-03-E](#) [150240C30610E](#) [11027605](#) [1108341319](#) [142M2X15030](#) [1401110012KE](#) [142M2X11010](#) [31059105](#)