

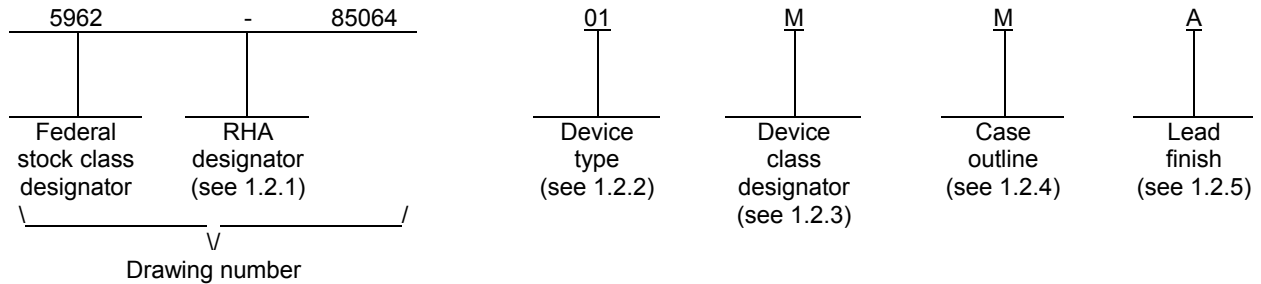
| REVISIONS |   |                 |                    |
|-----------|---|-----------------|--------------------|
| LTR       | DESCRIPTION   | DATE (YR-MO-DA) | APPROVED           |
| D         | Add device types 03 and 04. Add test circuit. Editorial changes throughout..                            | 90-03-05        | W. Heckman         |
| E         | Change 1.3. Convert to one part-one part number format.   | 91-02-08        | W. Heckman         |
| F         | Changes in accordance with NOR 5962-R323-92   | 92-09-26        | Monica L. Poelking |
| G         | Changes in accordance with NOR 5962-R052-93   | 92-12-18        | Monica L. Poelking |
| H         | Add device types 05-08. Add packages M, U, and V. Add class N designator. Editorial changes throughout. | 96-08-23        | Monica L. Poelking |
| J         | Update boilerplate to MIL-PRF-38535 requirements. - LTG   | 02-12-18        | Thomas M. Hess     |
| K         | Update boilerplate to current MIL-PRF-38535 requirements. - CFS   | 07-11-26        | Thomas M. Hess     |

|  |    |    |    |                       |                 |    |    |               |              |  |           |              |   |   |   |    |    |    |    |    |
|--|----|----|----|-----------------------|-----------------|----|----|---------------|--------------|--|-----------|--------------|---|---|---|----|----|----|----|----|
| REV  |    |    |    |                       |                 |    |    |               |              |  |           |              |   |   |   |    |    |    |    |    |
| SHEET  |    |    |    |                       |                 |    |    |               |              |  |           |              |   |   |   |    |    |    |    |    |
| REV  | K  | K  | K  | K                     | K               | K  | K  | K             | K            |  |           |              |   |   |   |    |    |    |    |    |
| SHEET  | 15 | 16 | 17 | 18                    | 19              | 20 | 21 | 22            | 23           |  |           |              |   |   |   |    |    |    |    |    |
| REV STATUS   |    |    |    | REV                   | K               |    |    | K             | K            | K  | K         | K            | K | K | K | K  | K  | K  | K  | K  |
| OF SHEETS  |    |    |    | SHEET                 | 1               |    |    | 2             | 3            | 4  | 5         | 6            | 7 | 8 | 9 | 10 | 11 | 12 | 13 | 14 |
| PMIC N/A   |    |    |    | PREPARED BY           | Greg A. Pitz    |    |    |               |              | <b>DEFENSE SUPPLY CENTER COLUMBUS</b><br><b>COLUMBUS, OHIO 43218-3990</b><br><a href="http://www.dscclia.mil">http://www.dscclia.mil</a> |           |              |   |   |   |    |    |    |    |    |
| <b>STANDARD MICROCIRCUIT DRAWING</b><br><br>THIS DRAWING IS AVAILABLE FOR USE BY ALL DEPARTMENTS AND AGENCIES OF THE DEPARTMENT OF DEFENSE<br><br>AMSC N/A |    |    |    | CHECKED BY            | Wm J. Johnson   |    |    |               |              |  |           |              |   |   |   |    |    |    |    |    |
|  |    |    |    | APPROVED BY           | Michael A. Frye |    |    |               |              |  |           |              |   |   |   |    |    |    |    |    |
|  |    |    |    | DRAWING APPROVAL DATE | 86-02-14        |    |    |               |              |  |           |              |   |   |   |    |    |    |    |    |
|  |    |    |    | REVISION LEVEL        | K               |    |    |               |              | SIZE   | CAGE CODE | <b>85064</b> |   |   |   |    |    |    |    |    |
|  |    |    |    |                       |                 |    |    | A             | <b>67268</b> |  |           |              |   |   |   |    |    |    |    |    |
|  |    |    |    |                       |                 |    |    | SHEET 1 OF 23 |              |  |           |              |   |   |   |    |    |    |    |    |

## 1. SCOPE

1.1 Scope. This drawing documents three product assurance class levels consisting of space application (device class V), high reliability (device classes M and Q), and nontraditional performance environment (device class N). A choice of case outlines and lead finishes are available and are reflected in the Part or Identifying Number (PIN). When available, a choice of Radiation Hardness Assurance (RHA) levels is reflected in the PIN. For device class N, the user is cautioned to assure that the device is appropriate for the application environment.

1.2 PIN. The PIN is as shown in the following example:



1.2.1 RHA designator. Device classes N, Q, and V RHA marked devices meet the MIL-PRF-38535 specified RHA levels and are marked with the appropriate RHA designator. Device class M RHA marked devices meet the MIL-PRF-38535, appendix A specified RHA levels and are marked with the appropriate RHA designator. A dash (-) indicates a non-RHA device.

1.2.2 Device type(s). The device type(s) identify the circuit function as follows:

| <u>Device type</u> | <u>Generic number</u> | <u>Circuit function</u>  |
|--------------------|-----------------------|--|
| 01                 | 80C31BH               | 8-bit microcontroller (3.5 to 12 MHz)                              |
| 02                 | 80C51BH               | 8-bit microcontroller with a mask programmable ROM (3.5 to 12 MHz) |
| 03                 | 80C31BH-16            | 8-bit microcontroller (3.5 to 16 MHz)                              |
| 04                 | 80C51BH-16            | 8-bit microcontroller with a mask programmable ROM (3.5 to 16 MHz) |
| 05                 | 80C31BH               | 8-bit microcontroller (3.5 to 12 MHz)                              |
| 06                 | 80C51BH               | 8-bit microcontroller with a mask programmable ROM (3.5 to 12 MHz) |
| 07                 | 80C31BH-16            | 8-bit microcontroller (3.5 to 16 MHz)                              |
| 08                 | 80C51BH-16            | 8-bit microcontroller with a mask programmable ROM (3.5 to 16 MHz) |

1.2.3 Device class designator. The device class designator is a single letter identifying the product assurance level as follows:

| <u>Device class</u> | <u>Device requirements documentation</u>  |
|---------------------|---|
| M                   | Vendor self-certification to the requirements for MIL-STD-883 compliant, non-JAN class level B microcircuits in accordance with MIL-PRF-38535, appendix A |
| N                   | Certification and qualification to MIL-PRF-38535 with a nontraditional performance environment (encapsulated in plastic)                                  |
| Q or V              | Certification and qualification to MIL-PRF-38535  |

**STANDARD  
MICROCIRCUIT DRAWING**  
 DEFENSE SUPPLY CENTER COLUMBUS  
 COLUMBUS, OHIO 43218-3990

SIZE  
**A**

**85064**

REVISION LEVEL  
 K

SHEET  
 2

1.2.4 Case outline(s). The case outline(s) are as designated in MIL-STD-1835, JEDEC Publication 95, and as follows:

| <u>Outline letter</u> | <u>Descriptive designator</u> | <u>Terminals</u> | <u>Package style</u>            | <u>Document</u> |
|-----------------------|-------------------------------|------------------|---------------------------------|-----------------|
| M                     | GQCC1-J44                     | 44               | "J" leaded chip carrier         | MIL-STD-1835    |
| Q                     | GDIP1-T40 or CDIP2-T40        | 40               | Dual-in-line                    | MIL-STD-1835    |
| U                     | MS-011-AC                     | 40               | Plastic dual-in-line            | JEP 95          |
| V                     | MS-018-AC                     | 44               | Plastic "J" leaded chip carrier | JEP 95          |
| X                     | CQCC1-N44                     | 44               | Square chip carrier             | MIL-STD-1835    |
| Y                     | See figure 1                  | 52               | Flat pack                       | MIL-STD-1835    |

1.2.5 Lead finish. The lead finish is as specified in MIL-PRF-38535 for device classes N, Q, and V or MIL-PRF-38535, appendix A for device class M.

1.3 Absolute maximum ratings. 1/

|  |                                  |
|--|----------------------------------|
| Supply voltage range (referenced to ground).....       | +6.5 V dc maximum                |
| Maximum power dissipation ( $P_D$ ).....               | 200 mW                           |
| Voltage (any pin) to $V_{SS}$ .....                    | -0.5 V dc to $V_{CC} + 0.5$ V dc |
| Storage temperature range ( $T_{STG}$ ).....           | -65°C to +150°C                  |
| Maximum junction temperature ( $T_J$ ).....            | +200°C                           |
| Lead temperature (soldering 5 seconds) ( $T_S$ ).....  | +300°C                           |
| Thermal resistance junction-to-case ( $\theta_{JC}$ ): |                                  |
| Case M, Q, and X.....                                  | See MIL-STD-1835                 |
| Case Y.....  | 20°C/W                           |
| Case U.....  | 15°C/W                           |
| Case V.....  | 14°C/W                           |

1.4 Recommended operating conditions.

|   |                         |
|---|-------------------------|
| Operating supply voltage range ( $V_{CC}$ ).....          | 4 V dc to +6 V dc       |
| Maximum low level input voltage (except EA).....          | $0.2V_{CC} - 0.25$ V dc |
| (EA).....   | $0.2V_{CC} - 0.45$ V dc |
| Maximum high level input voltage (except XTAL1, RST)..... | $0.2V_{CC} + 1.1$ V dc  |
| (XTAL1, RST).....   | $0.7V_{CC} + 0.2$ V dc  |
| Case operating temperature range ( $T_C$ ):               |                         |
| Device types 01, 02, 03, and 04.....                      | -55°C to +125°C         |
| Device types 05, 06, 07, and 08.....                      | -40°C to +85°C          |
| Oscillator frequency:                                     |                         |
| Device types 01, 02, 05, and 06.....                      | 3.5 MHz to 12 MHz       |
| Device types 03, 04, 07, and 08.....                      | 3.5 MHz to 16 MHz       |

1/ Stresses above the absolute maximum rating may cause permanent damage to the device. Extended operation at the maximum levels may degrade performance and affect reliability.

|   |                  |                     |              |
|---|------------------|---------------------|--------------|
| <b>STANDARD<br/>MICROCIRCUIT DRAWING</b><br>DEFENSE SUPPLY CENTER COLUMBUS<br>COLUMBUS, OHIO 43218-3990 | SIZE<br><b>A</b> |                     | <b>85064</b> |
|   |                  | REVISION LEVEL<br>K | SHEET<br>3   |

2. APPLICABLE DOCUMENTS

2.1 Government specification, standards, and handbooks. The following specification, standards, and handbooks form a part of this drawing to the extent specified herein. Unless otherwise specified, the issues of these documents are those cited in the solicitation or contract.

DEPARTMENT OF DEFENSE SPECIFICATION

MIL-PRF-38535 - Integrated Circuits, Manufacturing, General Specification for.

DEPARTMENT OF DEFENSE STANDARDS

MIL-STD-883 - Test Method Standard Microcircuits.  
 MIL-STD-1835 - Interface Standard Electronic Component Case Outlines.

DEPARTMENT OF DEFENSE HANDBOOKS

MIL-HDBK-103 - List of Standard Microcircuit Drawings.  
 MIL-HDBK-780 - Standard Microcircuit Drawings.

(Copies of these documents are available online at <http://assist.daps.dla.mil/quicksearch/> or <http://assist.daps.dla.mil> or from the Standardization Document Order Desk, 700 Robbins Avenue, Building 4D, Philadelphia, PA 19111-5094.)

2.2 Non-Government publications. The following documents form a part of this document to the extent specified herein. Unless otherwise specified, the issues of these documents are those cited in the solicitation or contract.

ELECTRONICS INDUSTRIES ALLIANCE (EIA)

JEP 95 - Registered and Standard Outlines for Semiconductor Devices

(Copies of these documents are available online at [www.jedec.org/](http://www.jedec.org/) or from the Electronics Industries Alliance, 2500 Wilson Boulevard, Arlington, VA 22201-3834).

2.3 Order of precedence. In the event of a conflict between the text of this drawing and the references cited herein, the text of this drawing takes precedence. Nothing in this document, however, supersedes applicable laws and regulations unless a specific exemption has been obtained.

3. REQUIREMENTS

3.1 Item requirements. The individual item requirements for device classes N, Q and V shall be in accordance with MIL-PRF-38535 and as specified herein or as modified in the device manufacturer's Quality Management (QM) plan. The modification in the QM plan shall not affect the form, fit, or function as described herein. The individual item requirements for device class M shall be in accordance with MIL-PRF-38535, appendix A for non-JAN class level B devices and as specified herein.

3.2 Design, construction, and physical dimensions. The design, construction, and physical dimensions shall be as specified in MIL-PRF-38535 and herein for device classes N, Q and V or MIL-PRF-38535, appendix A and herein for device class M.

3.2.1 Case outlines. The case outlines shall be in accordance with 1.2.4 herein and figure 1.

3.2.2 Terminal connections. The terminal connections shall be as specified on figure 2.

3.2.3 Block diagram. The block diagram shall be as specified on figure 3.

3.2.4 Switching waveforms and test circuit. The switching waveforms and test circuit shall be as specified on figure 4.

|   |                  |                     |              |
|---|------------------|---------------------|--------------|
| <b>STANDARD<br/>MICROCIRCUIT DRAWING</b><br>DEFENSE SUPPLY CENTER COLUMBUS<br>COLUMBUS, OHIO 43218-3990 | SIZE<br><b>A</b> |                     | <b>85064</b> |
|   |                  | REVISION LEVEL<br>K | SHEET<br>4   |

3.3 Electrical performance characteristics and postirradiation parameter limits. Unless otherwise specified herein, the electrical performance characteristics and postirradiation parameter limits are as specified in table I and shall apply over the full case operating temperature range.

3.4 Electrical test requirements. The electrical test requirements shall be the subgroups specified in table II. The electrical tests for each subgroup are defined in table I.

3.5 Marking. The part shall be marked with the PIN listed in 1.2 herein. In addition, the manufacturer's PIN may also be marked. For packages where marking of the entire SMD PIN number is not feasible due to space limitations, the manufacturer has the option of not marking the "5962-" on the device. For RHA product using this option, the RHA designator shall still be marked. Marking for device classes N, Q and V shall be in accordance with MIL-PRF-38535. Marking for device class M shall be in accordance with MIL-PRF-38535, appendix A.

3.5.1 Certification/compliance mark. The certification mark for device classes N, Q, and V shall be a "QML" or "Q" as required in MIL-PRF-38535. The compliance mark for device class M shall be a "C" as required in MIL-PRF-38535, appendix A.

3.6 Certificate of compliance. For device classes N, Q, and V, a certificate of compliance shall be required from a QML-38535 listed manufacturer in order to supply to the requirements of this drawing (see 6.6.1 herein). For device class M, a certificate of compliance shall be required from a manufacturer in order to be listed as an approved source of supply in MIL-HDBK-103 (see 6.6.2 herein). The certificate of compliance submitted to DSCC-VA prior to listing as an approved source of supply for this drawing shall affirm that the manufacturer's product meets, for device classes N, Q, and V, the requirements of MIL-PRF-38535 and herein or for device class M, the requirements of MIL-PRF-38535, appendix A and herein.

3.7 Certificate of conformance. A certificate of conformance as required for device classes N, Q, and V in MIL-PRF-38535 or for device class M in MIL-PRF-38535, appendix A shall be provided with each lot of microcircuits delivered to this drawing.

3.8 Notification of change for device class M. For device class M, notification to DSCC-VA of change of product (see 6.2 herein) involving devices acquired to this drawing is required for any change that affects this drawing.

3.9 Verification and review for device class M. For device class M, DSCC, DSCC's agent, and the acquiring activity retain the option to review the manufacturer's facility and applicable required documentation. Offshore documentation shall be made available onshore at the option of the reviewer.

3.10 Microcircuit group assignment for device class M. Device class M devices covered by this drawing shall be in microcircuit group number 105 (see MIL-PRF-38535, appendix A).

3.11 User mask program. For device types 02, 04, 06, and 08, since the ROM is memory programmed by the manufacturer in a variety of configurations, the contracting activity shall provide an altered item drawing describing the mask program to be used by the manufacturer.

3.12 PIN supersession information. The PIN supersession information shall be as specified in 6.7 herein.

|   |                  |                     |              |
|---|------------------|---------------------|--------------|
| <b>STANDARD<br/>MICROCIRCUIT DRAWING</b><br>DEFENSE SUPPLY CENTER COLUMBUS<br>COLUMBUS, OHIO 43218-3990 | SIZE<br><b>A</b> |                     | <b>85064</b> |
|   |                  | REVISION LEVEL<br>K | SHEET<br>5   |

TABLE I. Electrical performance characteristics.

| Test  | Symbol    | Conditions <u>1/</u><br>$V_{CC} = 5\text{ V} \pm 20\%$<br>unless otherwise specified | Group A<br>subgroups | Device<br>type   | Limits        |          | Unit          |
|---|-----------|--|----------------------|------------------|---------------|----------|---------------|
|   |           |  |                      |                  | Min           | Max      |               |
| Output low voltage<br>(ports 1, 2, 3)                                 | $V_{OL}$  | $I_{OL} = 1.6\text{ mA}$ <u>2/</u>   | 1, 2, 3              | All              |               | 0.45     | V             |
| Output low voltage<br>(port 0, ALE, PSEN)                             | $V_{OL1}$ | $I_{OL} = 3.2\text{ mA}$ <u>2/</u>   | 1, 2, 3              | All              |               | 0.45     | V             |
| Output high voltage<br>(ports 1, 2, 3)                                | $V_{OH}$  | $I_{OH} = -60\text{ }\mu\text{A}$ , $V_{CC} = 5\text{ V} \pm 10\%$                   | 1, 2, 3              | All              | 2.4           |          | V             |
|   |           | $I_{OH} = -25\text{ }\mu\text{A}$ , $V_{CC} = 5\text{ V} \pm 10\%$                   |                      |                  | $0.75 V_{CC}$ |          |               |
|   |           | $I_{OH} = -10\text{ }\mu\text{A}$ , $V_{CC} = 5\text{ V} \pm 10\%$                   |                      |                  | $0.90 V_{CC}$ |          |               |
| Output high voltage<br>(port 0 in external<br>bus mode, ALE,<br>PSEN) | $V_{OH1}$ | $I_{OH} = -400\text{ }\mu\text{A}$ , $V_{CC} = 5\text{ V} \pm 10\%$                  | 1, 2, 3              | All              | 2.4           |          | V             |
|   |           | $I_{OH} = -150\text{ }\mu\text{A}$ , $V_{CC} = 5\text{ V} \pm 10\%$                  |                      |                  | $0.75 V_{CC}$ |          |               |
|   |           | $I_{OH} = -40\text{ }\mu\text{A}$ , $V_{CC} = 5\text{ V} \pm 10\%$ <u>3/</u>         |                      |                  | $0.90 V_{CC}$ |          |               |
| Logical 0 input<br>current<br>(ports 1, 2, 3)                         | $I_{IL}$  | $V_{IN} = 0.45\text{ V}$   | 1, 2, 3              | All              |               | -75      | $\mu\text{A}$ |
| Logical 1 to 0<br>transition current<br>(ports 1, 2, 3)               | $I_{TL}$  | $V_{IN} = 2\text{ V}$  | 1, 2, 3              | All              |               | -750     | $\mu\text{A}$ |
| Input leakage<br>current<br>(port 0, EA)                              | $I_{LI}$  | $0.45 < V_{IN} < V_{CC}$   | 1, 2, 3              | All              |               | $\pm 10$ | $\mu\text{A}$ |
| Supply current<br>during operation<br><u>4/</u>                       | $I_{CC1}$ | 3.5 MHz, $V_{CC} 4\text{ V}$   | 1, 2, 3              | All              |               | 4.3      | mA            |
|   |           | 3.5 MHz, $V_{CC} 5\text{ V}$ <u>5/</u>   |                      |                  | 5.7           |          |               |
|   |           | 3.5 MHz, $V_{CC} 6\text{ V}$   |                      |                  | 7.5           |          |               |
|   |           | 8.0 MHz, $V_{CC} 4\text{ V}$ <u>5/</u>   |                      |                  | 8.3           |          |               |
|   |           | 8.0 MHz, $V_{CC} 5\text{ V}$ <u>5/</u>   |                      |                  | 11            |          |               |
|   |           | 8.0 MHz, $V_{CC} 6\text{ V}$ <u>5/</u>   |                      |                  | 14            |          |               |
|   |           | 12 MHz, $V_{CC} 4\text{ V}$  |                      |                  | 12            |          |               |
|   |           | 12 MHz, $V_{CC} 5\text{ V}$ <u>5/</u>  |                      |                  | 16            |          |               |
| 12 MHz, $V_{CC} 6\text{ V}$   | 20        |  |                      |                  |               |          |               |
| Supply current<br>during operation                                    | $I_{CC2}$ | 16 MHz, $V_{CC} 4\text{ V}$  | 1, 2, 3              | 03, 04<br>07, 08 |               | 16       | mA            |
|   |           | 16 MHz, $V_{CC} 5\text{ V}$ <u>5/</u>  |                      |                  | 21            |          |               |
|   |           | 16 MHz, $V_{CC} 6\text{ V}$  |                      |                  | 25            |          |               |

See footnotes at end of table.

|   |                  |                     |              |
|---|------------------|---------------------|--------------|
| <b>STANDARD<br/>MICROCIRCUIT DRAWING</b><br>DEFENSE SUPPLY CENTER COLUMBUS<br>COLUMBUS, OHIO 43218-3990 | SIZE<br><b>A</b> |                     | <b>85064</b> |
|   |                  | REVISION LEVEL<br>K | SHEET<br>6   |

TABLE I. Electrical performance characteristics - Continued.

| Test  | Symbol                  | Conditions <u>1/</u><br>$V_{CC} = 5\text{ V} \pm 20\%$<br>unless otherwise specified   | Group A<br>subgroups | Device<br>type   | Limits           |   | Unit             |
|---|-------------------------|--|----------------------|------------------|------------------|---|------------------|
|   |                         |  |                      |                  | Min              | Max   |                  |
| Supply current<br>during idle mode<br><u>6/</u> | $I_{CC3}$               | 3.5 MHz, $V_{CC}$ 4 V<br>3.5 MHz, $V_{CC}$ 5 V <u>5/</u><br>3.5 MHz, $V_{CC}$ 6 V<br>8.0 MHz, $V_{CC}$ 4 V <u>5/</u><br>8.0 MHz, $V_{CC}$ 5 V <u>5/</u><br>8.0 MHz, $V_{CC}$ 6 V <u>5/</u><br>12 MHz, $V_{CC}$ 4 V<br>12 MHz, $V_{CC}$ 5 V <u>5/</u><br>12 MHz, $V_{CC}$ 6 V | 1, 2, 3              | All              |                  | 1.1<br>1.6<br>2.2<br>1.8<br>2.7<br>3.7<br>2.5<br>3.7<br>5.0 | mA               |
|   | $I_{CC4}$               | 16 MHz, $V_{CC}$ 4 V<br>16 MHz, $V_{CC}$ 5 V <u>5/</u><br>16 MHz, $V_{CC}$ 6 V   |                      |                  | 03, 04<br>07, 08 | 4.0<br>5.5<br>7.0   |                  |
| Power down current                              | $I_{PD}$                | $V_{CC} = 2\text{ V to }6\text{ V}$ <u>7/</u>  | 1, 2, 3              | All              |                  | 75  | $\mu\text{A}$    |
| Reset pulldown<br>resistor                      | $R_{RST}$               |  | 1, 2, 3              | All              | 50               | 150   | $\text{k}\Omega$ |
| Pin capacitance                                 | $C_{IO}$                | See 4.4.1c   | 4                    | All              |                  | 10  | pF               |
| Functional tests                                |                         | See 4.4.1d   | 7, 8                 | All              |                  |   |                  |
| Oscillator<br>frequency                         | $1/t_{CLCL}$            |  | 9, 10, 11            | 01, 02<br>05, 06 | 3.5              | 12  | MHz              |
|   |                         |  |                      | 03, 04<br>07, 08 | 3.5              | 16  |                  |
| ALE pulse width                                 | $t_{LHL}$               | $C_L = 100\text{ pF}$ for port 0, ALE,<br>and PSEN<br>$C_L = 80\text{ pF}$ for all other<br>outputs (see figure 4)   | 9, 10, 11            | All              | $2t_{CLCL}-55$   |   | ns               |
| Address valid to<br>ALE low                     | $t_{AVLL}$<br><u>8/</u> |  |                      |                  | $t_{CLCL}-70$    |   |                  |
| Address hold after<br>ALE low                   | $t_{LLAX}$              |  |                      |                  | $t_{CLCL}-50$    |   |                  |
| ALE low to valid<br>instruction in              | $t_{LLIV}$              |  |                      |                  |                  | $4t_{CLCL}-115$   |                  |
| ALE low to PSEN<br>low                          | $t_{LLPL}$              |  |                      |                  | $t_{CLCL}-55$    |   |                  |
| PSEN pulse width                                | $t_{PLPH}$              |  |                      |                  | $3t_{CLCL}-60$   |   |                  |
| PSEN low to valid<br>instruction in             | $t_{PLIV}$              |  |                      |                  |                  | $3t_{CLCL}-120$   |                  |
| Input instruction<br>hold after PSEN            | $t_{PXIX}$              |  |                      |                  | 0                |   |                  |
| Input instruction<br>float after PSEN           | $t_{PXIZ}$              |  |                      |                  |                  | $t_{CLCL}-120$  |                  |

See footnotes at end of table.

|   |                  |                     |              |
|---|------------------|---------------------|--------------|
| <b>STANDARD<br/>MICROCIRCUIT DRAWING</b><br>DEFENSE SUPPLY CENTER COLUMBUS<br>COLUMBUS, OHIO 43218-3990 | SIZE<br><b>A</b> |                     | <b>85064</b> |
|   |                  | REVISION LEVEL<br>K | SHEET<br>7   |

TABLE I. Electrical performance characteristics - Continued.

| Test  | Symbol                  | Conditions <u>1/</u><br>$V_{CC} = 5 V \pm 20\%$<br>unless otherwise specified                                  | Group A<br>subgroups | Device<br>type | Limits          |                 | Unit |
|---|-------------------------|--|----------------------|----------------|-----------------|-----------------|------|
|   |                         |  |                      |                | Min             | Max             |      |
| Address to valid instruction in                   | $t_{AVIV}$              | $C_L = 100 \text{ pF}$ for port 0, ALE, and PSEN<br>$C_L = 80 \text{ pF}$ for all other outputs (see figure 4) | 9, 10, 11            | All            |                 | $5t_{CLCL}-120$ | ns   |
| $\overline{PSEN}$ low to address float            | $t_{PLAZ}$              |  |                      |                |                 | 25              |      |
| $\overline{RD}$ pulse width                       | $t_{RLRH}$              |  |                      |                | $6t_{CLCL}-100$ |                 |      |
| $\overline{WR}$ pulse width                       | $t_{WLWH}$              |  |                      |                | $6t_{CLCL}-100$ |                 |      |
| $\overline{RD}$ low to valid data in              | $t_{RLDV}$              |  |                      |                |                 | $5t_{CLCL}-185$ |      |
| Data hold after $\overline{RD}$                   | $t_{RHDX}$              |  |                      |                | 0               |                 |      |
| Data float after $\overline{RD}$                  | $t_{RHDZ}$              |  |                      |                |                 | $2t_{CLCL}-85$  |      |
| ALE low to valid data in                          | $t_{LLDV}$              |  |                      |                |                 | $8t_{CLCL}-170$ |      |
| Address valid to data in                          | $t_{AVDV}$              |  |                      |                |                 | $9t_{CLCL}-185$ |      |
| ALE low to $\overline{RD}$ or $\overline{WR}$ low | $t_{LLWL}$              |  |                      |                | $3t_{CLCL}-65$  | $3t_{CLCL}+65$  |      |
| Address to $\overline{RD}$ or $\overline{WR}$ low | $t_{AVWL}$              |  |                      |                | $4t_{CLCL}-145$ |                 |      |
| Data valid to $\overline{WR}$ transition          | $t_{QVWX}$              |  |                      |                | $t_{CLCL}-75$   |                 |      |
| Data holds after $\overline{WR}$                  | $t_{WHQX}$              |  |                      |                | $t_{CLCL}-65$   |                 |      |
| $\overline{RD}$ low to address float              | $t_{RLAZ}$              |  |                      |                |                 | 0               |      |
| $\overline{RD}$ or $\overline{WR}$ high to high   | $t_{WHLH}$              |  |                      |                | $t_{CLCL}-65$   | $t_{CLCL}+65$   |      |
| External clock high time                          | $t_{CHCX}$              |  |                      |                | 20              |                 |      |
| External clock low time                           | $t_{CLCX}$              |  |                      |                | 20              |                 |      |
| External clock rise time                          | $t_{CLCH}$<br><u>9/</u> |  |                      |                |                 | 20              |      |
| External clock fall time                          | $t_{CHCL}$<br><u>9/</u> |  |                      |                |                 | 20              |      |
| Serial port clock cycle time                      | $t_{XLXL}$<br><u>5/</u> |  |                      |                | $12t_{CLCL}$    |                 |      |

See footnotes at end of table.

|   |                  |                     |              |
|---|------------------|---------------------|--------------|
| <b>STANDARD<br/>MICROCIRCUIT DRAWING</b><br>DEFENSE SUPPLY CENTER COLUMBUS<br>COLUMBUS, OHIO 43218-3990 | SIZE<br><b>A</b> |                     | <b>85064</b> |
|   |                  | REVISION LEVEL<br>K | SHEET<br>8   |



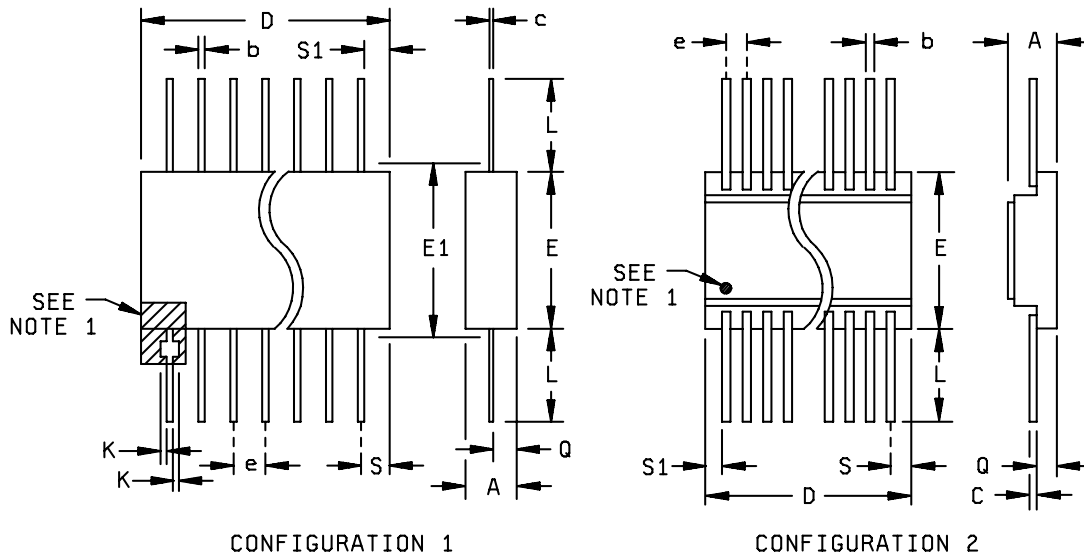
TABLE I. Electrical performance characteristics - Continued.

| Test   | Symbol                      | Conditions <sup>1/</sup><br>$V_{CC} = 5\text{ V} \pm 20\%$<br>unless otherwise specified                           | Group A<br>subgroups | Device<br>type | Limits           |                  | Unit |
|--|-----------------------------|--|----------------------|----------------|------------------|------------------|------|
|  |                             |  |                      |                | Min              | Max              |      |
| Output data<br>setup to clock<br>rising edge   | $t_{QVXH}$<br><sup>5/</sup> | $C_L = 100\text{ pF}$ for port 0,<br>ALE, and PSEN<br>$C_L = 80\text{ pF}$ for all other<br>outputs (see figure 4) | 9, 10, 11            | All            | $10t_{CLCL}-133$ |                  | ns   |
| Output data hold<br>after clock<br>rising edge | $t_{XHGX}$<br><sup>5/</sup> |  |                      |                | $2t_{CLCL}-117$  |                  |      |
| Input data hold<br>after clock<br>rising edge  | $t_{XHDX}$<br><sup>5/</sup> |  |                      |                | 0                |                  |      |
| Clock rising edge<br>to input data<br>valid    | $t_{XHDV}$<br><sup>5/</sup> |  |                      |                |                  | $10t_{CLCL}-133$ |      |

- <sup>1/</sup> Unless otherwise specified, all testing to be performed using worst case conditions. The operating temperature shall be as specified in section 1.4.
- <sup>2/</sup> Capacitive loading on ports 0 and 2 may cause spurious noise pulses to be superimposed on the  $V_{OL}$  of ALE and ports 1 and 3. The noise is due to external bus capacitance discharging into the port 0 and port 2 pins when these pins make 1-to-0 transitions during bus operations. In the worst cases (capacitive loading > 100 pF), the noise pulse on the ALE line may exceed 0.8 V. In such cases it may be desirable to qualify ALE with a Schmitt Trigger, or use an address latch with a Schmitt Trigger STROBE input.
- <sup>3/</sup> Capacitive loading on ports 0 and 2 may cause the  $V_{OH}$  on ALE and PSEN to momentarily fall below the  $0.9 V_{CC}$  specification when the address bits are stabilizing.
- <sup>4/</sup>  $I_{CC}$  is measured with all output pins disconnected; XTAL1 driven with  $t_{CLCH}$ ,  $t_{CHCL} = 5\text{ ns}$ ,  $V_{IL} = V_{SS} + 0.5\text{ V}$ ,  $I_{CC}$  would be slightly higher if a crystal oscillator is used.
- <sup>5/</sup> Shall be guaranteed if not tested to the limits specified.
- <sup>6/</sup> Idle  $I_{CC}$  is measured with all output pins disconnected; XTAL1 driven with  $t_{CLCH}$ ,  $t_{CHCL} = 5\text{ ns}$ ,  $V_{IL} = V_{SS} + 0.5\text{ V}$ , XTAL2 N.C.; Port 0 =  $V_{CC}$ ; EA = RST =  $V_{SS}$ .
- <sup>7/</sup> Power down  $I_{CC}$  is measured with all output pins disconnected; EA = PORT, 0 =  $V_{CC}$ ; XTAL2 N.C.; RST =  $V_{SS}$ .
- <sup>8/</sup> When using timing equations, the minimum value shall be not less than 5 ns.
- <sup>9/</sup> Due to test equipment limitations, actual tested values may differ from those specified, but specified limits are guaranteed.

|   |                  |                     |              |
|---|------------------|---------------------|--------------|
| <b>STANDARD<br/>MICROCIRCUIT DRAWING</b><br>DEFENSE SUPPLY CENTER COLUMBUS<br>COLUMBUS, OHIO 43218-3990 | SIZE<br><b>A</b> |                     | <b>85064</b> |
|   |                  | REVISION LEVEL<br>K | SHEET<br>9   |

Case Y



CONFIGURATION 1

CONFIGURATION 2

| Ltr | Inches   |       | Millimeters |       | Notes |
|-----|----------|-------|-------------|-------|-------|
|     | Min      | Max   | Min         | Max   |       |
| A   | .045     | .100  | 1.14        | 2.54  |       |
| b   | .015     | .023  | 0.38        | 0.58  |       |
| c   | .008     | .012  | 0.20        | 0.30  |       |
| D   |          | 1.330 |             | 33.78 | 2     |
| E   | .620     | .660  | 15.75       | 16.76 |       |
| E1  |          |       |             |       | 2     |
| e   | .050 BSC |       | 1.27 BSC    |       | 3     |

| Symbol | Inches |      | Millimeters |       | Notes |
|--------|--------|------|-------------|-------|-------|
|        | Min    | Max  | Min         | Max   |       |
| K      |        |      |             |       |       |
| L      | .250   | .370 | 6.35        | 9.40  |       |
| Q      | .054   | .066 | 1.37        | 16.76 | 4     |
| S      |        | .045 |             | 1.14  |       |
| S1     | .005   |      | 0.13        |       |       |
|        |        |      |             |       |       |
|        |        |      |             |       |       |

NOTES:

1. A pin 1 tab (enlargement) is located with the shaded area shown and adjacent to the package body. Other pin numbers proceed sequentially from pin 1 counterclockwise (as viewed from the top of the device).
2. This dimension allows for off-center lid, meniscus, and glass overrun.
3. The reference pin spacing is 0.050 between centerlines. Each pin centerline is located within  $\pm 0.005$  of its longitudinal position relative to the first and last pin numbers.
4. This dimension is measured at the point of exit of the lead body.

FIGURE 1. Case outlines.

|   |                  |                     |              |
|---|------------------|---------------------|--------------|
| <b>STANDARD<br/>MICROCIRCUIT DRAWING</b><br>DEFENSE SUPPLY CENTER COLUMBUS<br>COLUMBUS, OHIO 43218-3990 | SIZE<br><b>A</b> |                     | <b>85064</b> |
|   |                  | REVISION LEVEL<br>K | SHEET<br>10  |

| Device type     | All              |                 |                 |
|-----------------|------------------|-----------------|-----------------|
| Case outline    | Q and U          |                 |                 |
| Terminal number | Terminal symbol  | Terminal number | Terminal symbol |
| 1               | P1.0             | 21              | P2.0            |
| 2               | P1.1             | 22              | P2.1            |
| 3               | P1.2             | 23              | P2.2            |
| 4               | P1.3             | 24              | P2.3            |
| 5               | P1.4             | 25              | P2.4            |
| 6               | P1.5             | 26              | P2.5            |
| 7               | P1.6             | 27              | P2.6            |
| 8               | P1.7             | 28              | <u>P2.7</u>     |
| 9               | RESET            | 29              | PSEN            |
| 10              | P3.0/RXD         | 30              | <u>ALE</u>      |
| 11              | <u>P3.1/TXD</u>  | 31              | EA              |
| 12              | <u>P3.2/INT0</u> | 32              | P0.7            |
| 13              | P3.3/INT1        | 33              | P0.6            |
| 14              | P3.4/T0          | 34              | P0.5            |
| 15              | P3.5/T1          | 35              | P0.4            |
| 16              | <u>P3.6/WR</u>   | 36              | P0.3            |
| 17              | P3.7/RD          | 37              | P0.2            |
| 18              | XTAL2            | 38              | P0.1            |
| 19              | XTAL1            | 39              | P0.0            |
| 20              | V <sub>SS</sub>  | 40              | V <sub>CC</sub> |

| Device type     | All             |                 |                 |
|-----------------|-----------------|-----------------|-----------------|
| Case outline    | M, X, and V     |                 |                 |
| Terminal number | Terminal symbol | Terminal number | Terminal symbol |
| 1               | NC              | 23              | NC              |
| 2               | P1.0            | 24              | P2.0            |
| 3               | P1.1            | 25              | P2.1            |
| 4               | P1.2            | 26              | P2.2            |
| 5               | P1.3            | 27              | P2.3            |
| 6               | P1.4            | 28              | P2.4            |
| 7               | P1.5            | 29              | P2.5            |
| 8               | P1.6            | 30              | P2.6            |
| 9               | P1.7            | 31              | <u>P2.7</u>     |
| 10              | RESET           | 32              | PSEN            |
| 11              | P3.0            | 33              | ALE             |
| 12              | NC              | 34              | <u>NC</u>       |
| 13              | P3.1            | 35              | EA              |
| 14              | P3.2            | 36              | P0.7            |
| 15              | P3.3            | 37              | P0.6            |
| 16              | P3.4            | 38              | P0.5            |
| 17              | P3.5            | 39              | P0.4            |
| 18              | P3.6            | 40              | P0.3            |
| 19              | P3.7            | 41              | P0.2            |
| 20              | XTAL2           | 42              | P0.1            |
| 21              | XTAL1           | 43              | P0.0            |
| 22              | V <sub>SS</sub> | 44              | V <sub>CC</sub> |

NC = No connection

FIGURE 2. Terminal connections.

|   |                  |                     |              |
|---|------------------|---------------------|--------------|
| <b>STANDARD<br/>MICROCIRCUIT DRAWING</b><br>DEFENSE SUPPLY CENTER COLUMBUS<br>COLUMBUS, OHIO 43218-3990 | SIZE<br><b>A</b> |                     | <b>85064</b> |
|   |                  | REVISION LEVEL<br>K | SHEET<br>11  |

| Device type     | All             |                 |                 |
|-----------------|-----------------|-----------------|-----------------|
| Case outline    | Y               |                 |                 |
| Terminal number | Terminal symbol | Terminal number | Terminal symbol |
| 1               | P1.0            | 27              | P2.0            |
| 2               | P1.1            | 28              | P2.1            |
| 3               | P1.2            | 29              | P2.2            |
| 4               | P1.3            | 30              | P2.3            |
| 5               | P1.4            | 31              | P2.4            |
| 6               | NC              | 32              | NC              |
| 7               | NC              | 33              | NC              |
| 8               | NC              | 34              | NC              |
| 9               | NC              | 35              | P2.5            |
| 10              | P1.5            | 36              | P2.6            |
| 11              | P1.6            | 37              | <u>P2.7</u>     |
| 12              | P1.7            | 38              | PSEN            |
| 13              | RST             | 39              | <u>ALE</u>      |
| 14              | P3.0/RXD        | 40              | EA              |
| 15              | P3.1/TXD        | 41              | P0.7            |
| 16              | P3.2/INT0       | 42              | P0.6            |
| 17              | P3.3/INT1       | 43              | P0.5            |
| 18              | P3.4/T0         | 44              | P0.4            |
| 19              | NC              | 45              | NC              |
| 20              | NC              | 46              | NC              |
| 21              | P3.5/T1         | 47              | NC              |
| 22              | P3.6/WR         | 48              | P0.3            |
| 23              | P3.7/RD         | 49              | P0.2            |
| 24              | XTAL2           | 50              | P0.1            |
| 25              | XTAL1           | 51              | P0.0            |
| 26              | V <sub>SS</sub> | 52              | V <sub>CC</sub> |

NC = No connection

FIGURE 2. Terminal connections – Continued.

|   |                  |                     |              |
|---|------------------|---------------------|--------------|
| <b>STANDARD<br/>MICROCIRCUIT DRAWING</b><br>DEFENSE SUPPLY CENTER COLUMBUS<br>COLUMBUS, OHIO 43218-3990 | SIZE<br><b>A</b> |                     | <b>85064</b> |
|   |                  | REVISION LEVEL<br>K | SHEET<br>12  |

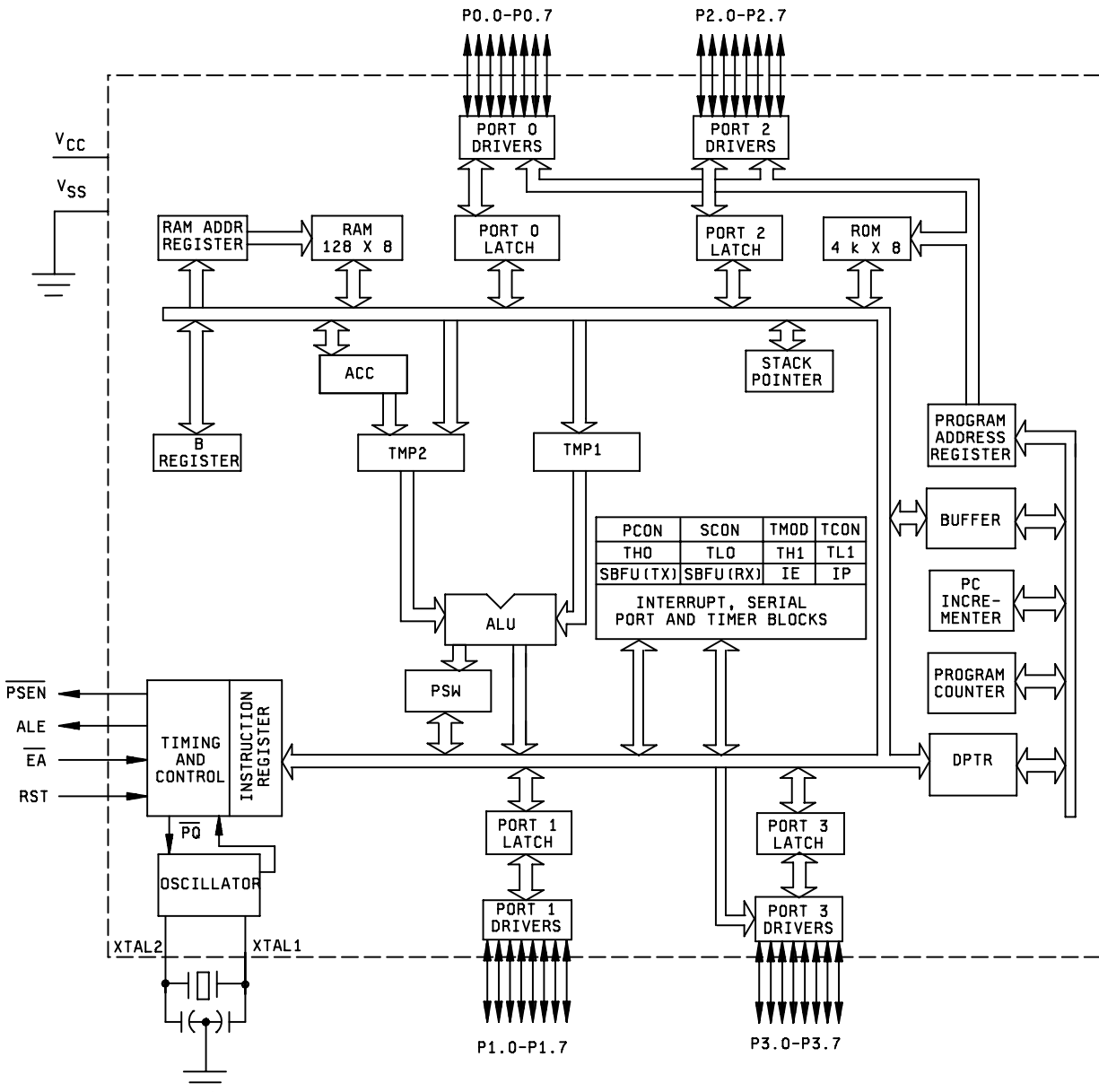


FIGURE 3. Block diagram.

| Mode       | Program memory | ALE | PSEN | Port 0 | Port 1 | Port 2  | Port 3 |
|------------|----------------|-----|------|--------|--------|---------|--------|
| Idle       | Internal       | 1   | 1    | Data   | Data   | Data    | Data   |
| Idle       | External       | 1   | 1    | Float  | Data   | Address | Data   |
| Power down | Internal       | 0   | 0    | Data   | Data   | Data    | Data   |
| Power down | External       | 0   | 0    | Float  | Data   | Data    | Data   |

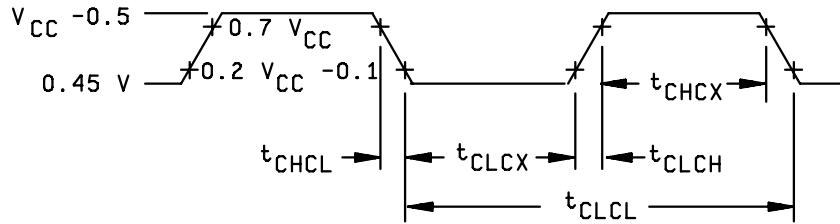
**STANDARD  
MICROCIRCUIT DRAWING**  
DEFENSE SUPPLY CENTER COLUMBUS  
COLUMBUS, OHIO 43218-3990

SIZE  
**A**

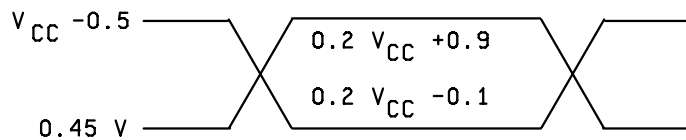
**85064**

REVISION LEVEL  
K

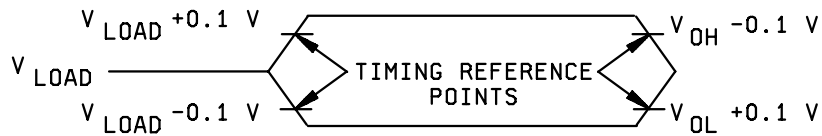
SHEET  
13



EXTERNAL CLOCK DRIVE WAVEFORM



AC TESTING: INPUT, OUTPUT WAVEFORMS



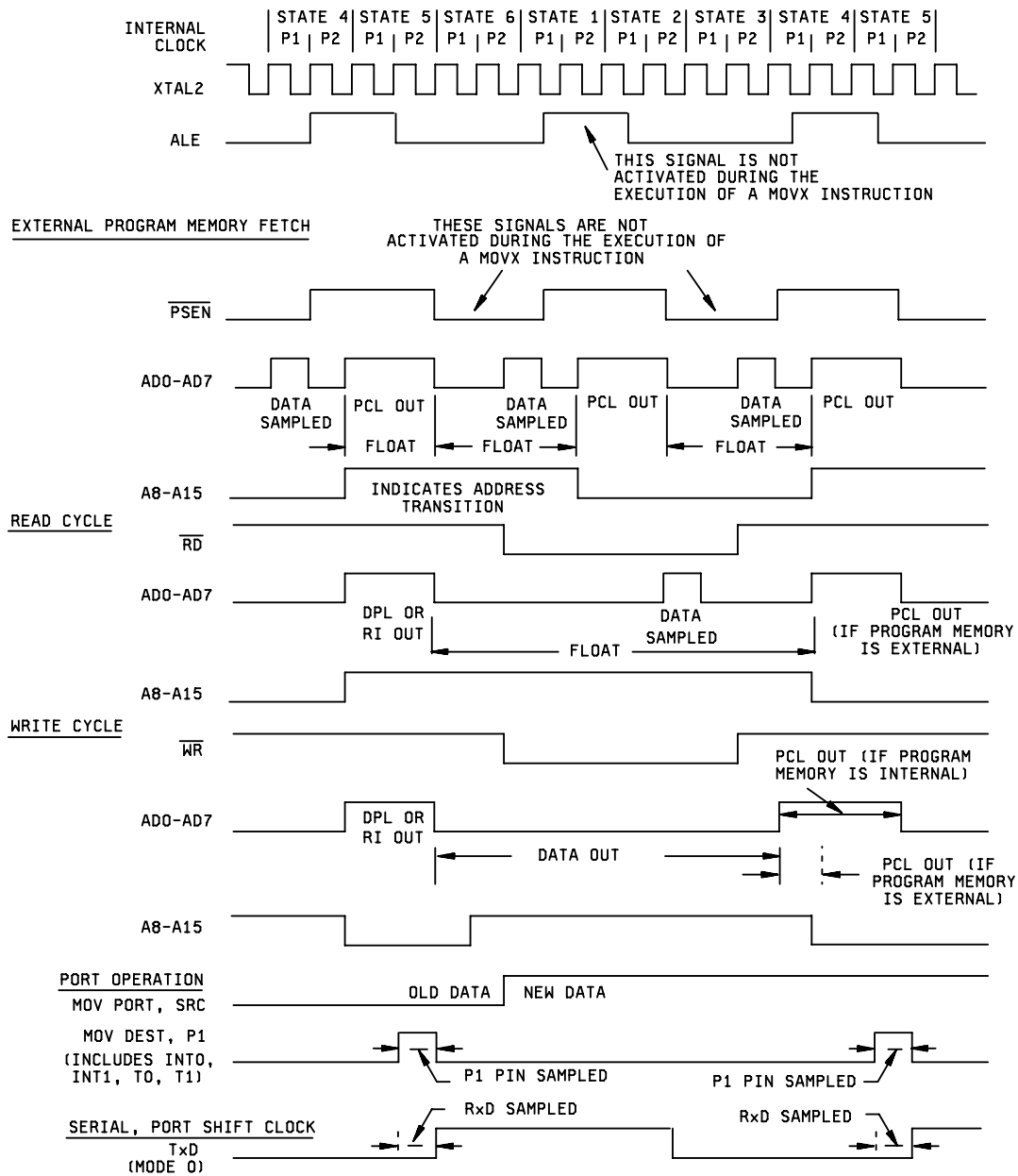
FLOAT WAVEFORM

NOTES:

1. AC inputs during testing are driven at  $V_{CC} - 0.5$  for a logic "1" and 0.45 V for a logic "0". Timing measurements are made at  $V_{IH}$  minimum for a logic "1" and  $V_{IL}$  maximum for a logic "0".
2. For timing purposes a port pin is no longer floating when a 100 mV change from load voltage occurs and begins to float when a 100 mV change from the loaded  $V_{OH}/V_{OL}$  level occurs.
3.  $I_{OL}/I_{OH} \geq \pm 20$  mA.

FIGURE 4. Switching waveforms and test circuit.

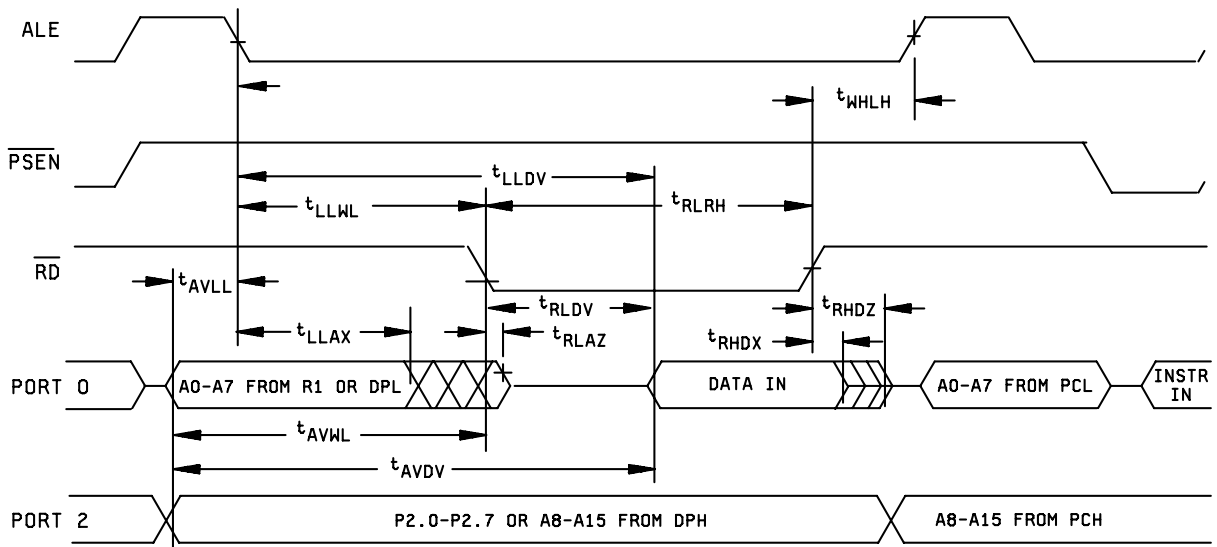
|   |                  |                     |              |
|---|------------------|---------------------|--------------|
| <b>STANDARD<br/>MICROCIRCUIT DRAWING</b><br>DEFENSE SUPPLY CENTER COLUMBUS<br>COLUMBUS, OHIO 43218-3990 | SIZE<br><b>A</b> |                     | <b>85064</b> |
|   |                  | REVISION LEVEL<br>K | SHEET<br>14  |



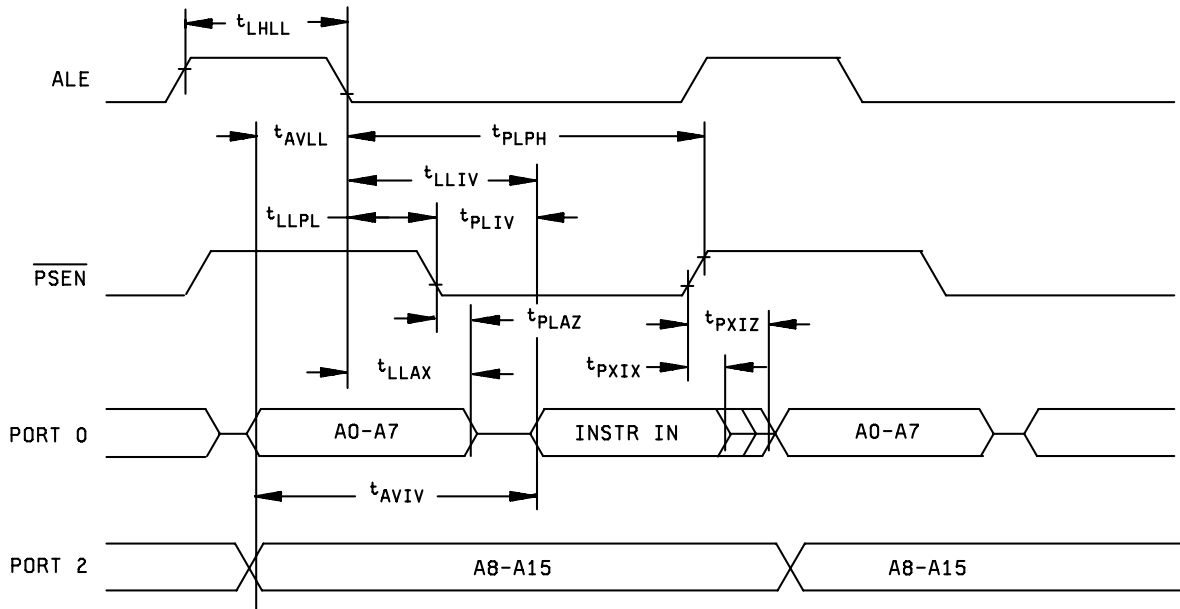
NOTE: This diagram indicates when signals are clocked internally. The time it takes the signals to propagate to the pins, however ranges from 25 to 125 ns. This propagation delay is dependent on variables such as temperature and pin loading. Propagation also varies from output to output and component to component. Typically though, ( $T_A = +25^\circ\text{C}$ , fully loaded) RD and WR propagation delays are approximately 50 ns. The other signals are typically 85 ns. Propagation delays are incorporated in the ac specifications.

FIGURE 4. Switching waveforms and test circuit - Continued.

|   |                  |                     |              |
|---|------------------|---------------------|--------------|
| <b>STANDARD<br/>MICROCIRCUIT DRAWING</b><br>DEFENSE SUPPLY CENTER COLUMBUS<br>COLUMBUS, OHIO 43218-3990 | SIZE<br><b>A</b> |                     | <b>85064</b> |
|   |                  | REVISION LEVEL<br>K | SHEET<br>15  |



EXTERNAL DATA MEMORY READ CYCLE

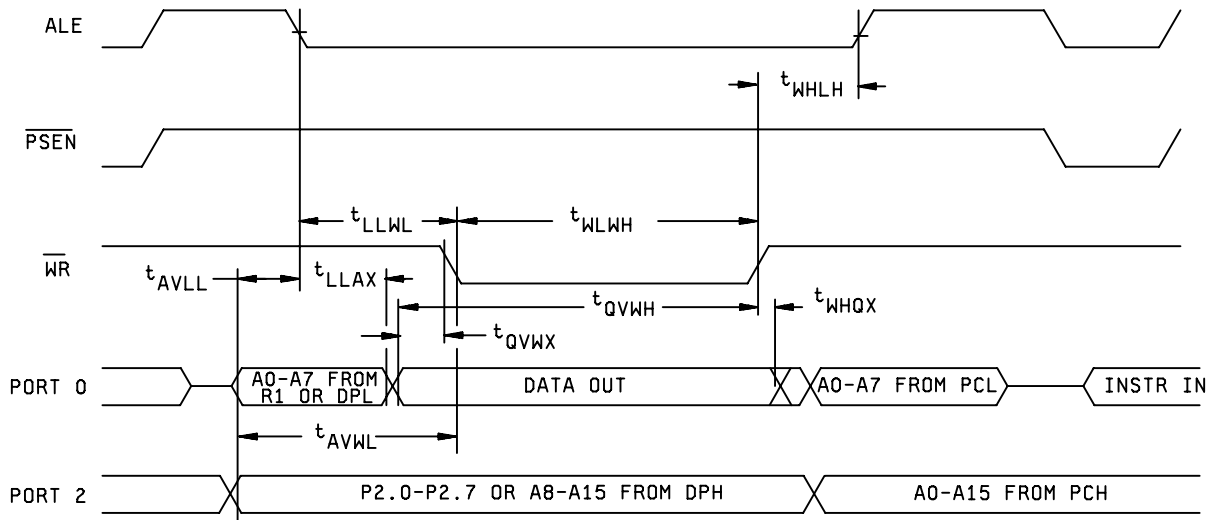


EXTERNAL PROGRAM MEMORY READ CYCLE

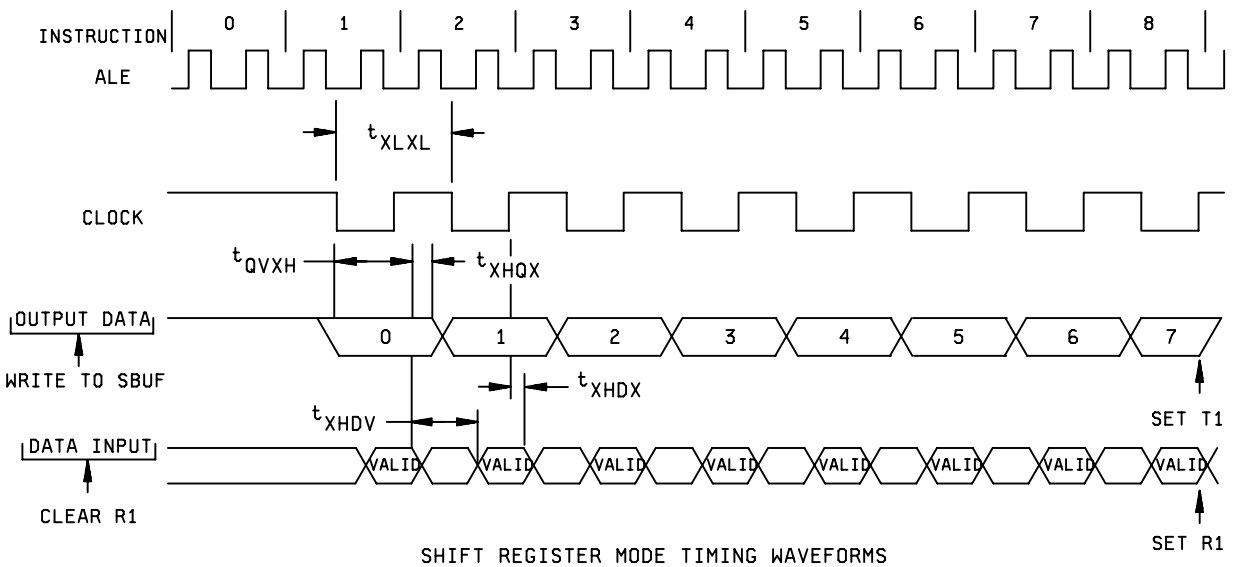
FIGURE 4. Switching waveforms and test circuit - Continued.

|   |                  |                     |              |
|---|------------------|---------------------|--------------|
| <b>STANDARD<br/>MICROCIRCUIT DRAWING</b><br>DEFENSE SUPPLY CENTER COLUMBUS<br>COLUMBUS, OHIO 43218-3990 | SIZE<br><b>A</b> |                     | <b>85064</b> |
|   |                  | REVISION LEVEL<br>K | SHEET<br>16  |





EXTERNAL DATA MEMORY WRITE CYCLE



SHIFT REGISTER MODE TIMING WAVEFORMS

FIGURE 4. Switching waveforms and test circuit - Continued.

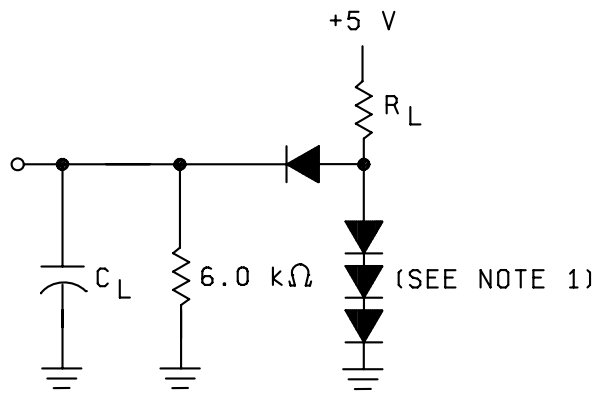
**STANDARD  
MICROCIRCUIT DRAWING**  
DEFENSE SUPPLY CENTER COLUMBUS  
COLUMBUS, OHIO 43218-3990

SIZE  
**A**

**85064**

REVISION LEVEL  
K

SHEET  
17



| Output                                | $R_L$          | $C_L$  |
|---------------------------------------|----------------|--------|
| Port 0, ALE, $\overline{\text{PSEN}}$ | 1.2 k $\Omega$ | 100 pF |
| All other outputs                     | 2.4 k $\Omega$ | 80 pF  |

NOTES:

1. All diodes are 1N914 or equivalent.
2.  $C_L$  includes tester and fixture capacitance.

FIGURE 4. Switching waveforms and test circuit - Continued.

|   |                  |                     |              |
|---|------------------|---------------------|--------------|
| <b>STANDARD<br/>MICROCIRCUIT DRAWING</b><br>DEFENSE SUPPLY CENTER COLUMBUS<br>COLUMBUS, OHIO 43218-3990 | SIZE<br><b>A</b> |                     | <b>85064</b> |
|   |                  | REVISION LEVEL<br>K | SHEET<br>18  |

4. VERIFICATION

4.1 Sampling and inspection. For device classes N, Q, and V, sampling and inspection procedures shall be in accordance with MIL-PRF-38535 or as modified in the device manufacturer's Quality Management (QM) plan. The modification in the QM plan shall not affect the form, fit, or function as described herein. For device class M, sampling and inspection procedures shall be in accordance with MIL-PRF-38535, appendix A.

4.2 Screening. For device classes N, Q, and V, screening shall be in accordance with MIL-PRF-38535, and shall be conducted on all devices prior to qualification and technology conformance inspection. For device class M, screening shall be in accordance with method 5004 of MIL-STD-883, and shall be conducted on all devices prior to quality conformance inspection.

4.2.1 Additional criteria for device class M.

- a. Burn-in test, method 1015 of MIL-STD-883.
  - (1) Test condition A, B, C, or D. The test circuit shall be maintained by the manufacturer under document revision level control and shall be made available to the preparing or acquiring activity upon request. The test circuit shall specify the inputs, outputs, biases, and power dissipation, as applicable, in accordance with the intent specified in method 1015.
  - (2)  $T_A = +125^{\circ}\text{C}$ , minimum.
- b. Interim and final electrical test parameters shall be as specified in table II herein.
- c. For devices 02, 04, 06, and 08, all devices shall be mask programmed to the requirements of the altered item drawing prior to the initiation of any testing.

4.2.2 Additional criteria for device classes N, Q, and V.

- a. The burn-in test duration, test condition and test temperature, or approved alternatives shall be as specified in the device manufacturer's QM plan in accordance with MIL-PRF-38535. The burn-in test circuit shall be maintained under document revision level control of the device manufacturer's Technology Review Board (TRB) in accordance with MIL-PRF-38535 and shall be made available to the acquiring or preparing activity upon request. The test circuit shall specify the inputs, outputs, biases, and power dissipation, as applicable, in accordance with the intent specified in method 1015 of MIL-STD-883.
- b. Interim and final electrical test parameters shall be as specified in table II herein.
- c. Additional screening for device class V beyond the requirements of device class Q shall be as specified in MIL-PRF-38535, appendix B.

4.3 Qualification inspection for device classes N, Q, and V. Qualification inspection for device classes N, Q, and V shall be in accordance with MIL-PRF-38535. Inspections to be performed shall be those specified in MIL-PRF-38535 and herein for groups A, B, C, D, and E inspections (see 4.4.1 through 4.4.4).

4.4 Conformance inspection. Technology conformance inspection for classes N, Q, and V shall be in accordance with MIL-PRF-38535 including groups A, B, C, D, and E inspections and as specified herein. Quality conformance inspection for device class M shall be in accordance with MIL-PRF-38535, appendix A and as specified herein. Inspections to be performed for device class M shall be those specified in method 5005 of MIL-STD-883 and herein for groups A, B, C, D, and E inspections (see 4.4.1 through 4.4.4).

|   |                  |                     |              |
|---|------------------|---------------------|--------------|
| <b>STANDARD<br/>MICROCIRCUIT DRAWING</b><br>DEFENSE SUPPLY CENTER COLUMBUS<br>COLUMBUS, OHIO 43218-3990 | SIZE<br><b>A</b> |                     | <b>85064</b> |
|   |                  | REVISION LEVEL<br>K | SHEET<br>19  |

4.4.1 Group A inspection.

- a. Tests shall be as specified in table II herein.
- b. Subgroups 5 and 6 in table I, method 5005 of MIL-STD-883 shall be omitted.
- c. Subgroup 4 ( $C_{IO}$ , measurement) shall be measured only for the initial test and after process or design changes which may affect input capacitance. A minimum sample size of 5 devices with zero rejects shall be required.
- d. For device class M, subgroups 7 and 8 tests shall be sufficient to verify the truth table. For device classes N, Q, and V, subgroups 7 and 8 shall include verifying the functionality of the device.

TABLE II. Electrical test requirements.

| Test requirements                                    | Subgroups<br>(in accordance with<br>MIL-STD-883, method<br>5005, table I) | Subgroups<br>(in accordance with<br>MIL-PRF-38535, table III) |                                       |                                       |
|--|---|---|---------------------------------------|---------------------------------------|
|  | Device<br>class M   | Device<br>class N   | Device<br>class Q                     | Device<br>class V                     |
| Interim electrical<br>parameters (see 4.2)           |   |   |                                       | 1,7,9                                 |
| Final electrical<br>parameters (see 4.2)             | 1, 2, 3, 7, 8,<br>9, 10, 11 <u>1/</u>                                     | 1, 2, 3, 7, 8,<br>9, 10, 11 <u>1/</u>                         | 1, 2, 3, 7, 8,<br>9, 10, 11 <u>1/</u> | 1, 2, 3, 7, 8,<br>9, 10, 11 <u>2/</u> |
| Group A test<br>requirements (see 4.4)               | 1, 2, 3, 4, 7, 8,<br>9, 10, 11  | 1, 2, 3, 4, 7, 8,<br>9, 10, 11                                | 1, 2, 3, 4, 7, 8,<br>9, 10, 11        | 1, 2, 3, 4, 7, 8,<br>9, 10, 11        |
| Group C end-point electrical<br>parameters (see 4.4) | 2, 8A, 10   | 2, 8A, 10   | 2, 8A, 10                             | 2, 8A, 10                             |
| Group D end-point electrical<br>parameters (see 4.4) | 2, 8A, 10   | 2, 8A, 10   | 2, 8A, 10                             | 2, 8A, 10                             |
| Group E end-point electrical<br>parameters (see 4.4) | 1, 7, 9   | 1, 7, 9   | 1, 7, 9                               | 1, 7, 9                               |

1/ PDA applies to subgroup 1.

2/ PDA applies to subgroups 1 and 7.

4.4.2 Group C inspection. The group C inspection end-point electrical parameters shall be as specified in table II herein.

4.4.2.1 Additional criteria for device class M. Steady-state life test conditions, method 1005 of MIL-STD-883:

- a. Test condition A, B, C, or D. The test circuit shall be maintained by the manufacturer under document revision level control and shall be made available to the preparing or acquiring activity upon request. The test circuit shall specify the inputs, outputs, biases, and power dissipation, as applicable, in accordance with the intent specified in method 1005 of MIL-STD-883.
- b.  $T_A = +125^\circ\text{C}$ , minimum.
- c. Test duration: 1,000 hours, except as permitted by method 1005 of MIL-STD-883.

|   |                  |                     |              |
|---|------------------|---------------------|--------------|
| <b>STANDARD<br/>MICROCIRCUIT DRAWING</b><br>DEFENSE SUPPLY CENTER COLUMBUS<br>COLUMBUS, OHIO 43218-3990 | SIZE<br><b>A</b> |                     | <b>85064</b> |
|   |                  | REVISION LEVEL<br>K | SHEET<br>20  |

4.4.2.2 Additional criteria for device classes N, Q, and V. The steady-state life test duration, test condition and test temperature, or approved alternatives shall be as specified in the device manufacturer's QM plan in accordance with MIL-PRF-38535. The test circuit shall be maintained under document revision level control by the device manufacturer's TRB in accordance with MIL-PRF-38535 and shall be made available to the acquiring or preparing activity upon request. The test circuit shall specify the inputs, outputs, biases, and power dissipation, as applicable, in accordance with the intent specified in method 1005 of MIL-STD-883.

4.4.3 Group D inspection. The group D inspection end-point electrical parameters shall be as specified in table II herein.

4.4.4 Group E inspection. Group E inspection is required only for parts intended to be marked as radiation hardness assured (see 3.5 herein).

- a. End-point electrical parameters shall be as specified in table II herein.
- b. For device classes N, Q, and V, the devices or test vehicle shall be subjected to radiation hardness assured tests as specified in MIL-PRF-38535 for the RHA level being tested. For device class M, the devices shall be subjected to radiation hardness assured tests as specified in MIL-PRF-38535, appendix A for the RHA level being tested. All device classes must meet the postirradiation end-point electrical parameter limits as defined in table I at  $T_A = +25^\circ\text{C} \pm 5^\circ\text{C}$ , after exposure, to the subgroups specified in table II herein.

## 5. PACKAGING

5.1 Packaging requirements. The requirements for packaging shall be in accordance with MIL-PRF-38535 for device classes N, Q, and V or MIL-PRF-38535, appendix A for device class M.

## 6. NOTES

6.1 Intended use. Microcircuits conforming to this drawing are intended for use for Government microcircuit applications (original equipment), design applications, and logistics purposes.

6.1.1 Replaceability. Microcircuits covered by this drawing will replace the same generic device covered by a contractor prepared specification or drawing.

6.1.2 Substitutability. Device class Q devices will replace device class M devices.

6.2 Configuration control of SMD's. All proposed changes to existing SMD's will be coordinated with the users of record for the individual documents. This coordination will be accomplished using DD Form 1692, Engineering Change Proposal.

6.3 Record of users. Military and industrial users should inform Defense Supply Center Columbus (DSCC) when a system application requires configuration control and which SMD's are applicable to that system. DSCC will maintain a record of users and this list will be used for coordination and distribution of changes to the drawings. Users of drawings covering microelectronic devices (FSC 5962) should contact DSCC-VA, telephone (614) 692-0544.

6.4 Comments. Comments on this drawing should be directed to DSCC-VA, Columbus, Ohio 43218-3990, or telephone (614) 692-0547.

|   |                  |                     |              |
|---|------------------|---------------------|--------------|
| <b>STANDARD<br/>MICROCIRCUIT DRAWING</b><br>DEFENSE SUPPLY CENTER COLUMBUS<br>COLUMBUS, OHIO 43218-3990 | SIZE<br><b>A</b> |                     | <b>85064</b> |
|   |                  | REVISION LEVEL<br>K | SHEET<br>21  |

6.5 Abbreviations, symbols, and definitions. The abbreviations, symbols, and definitions used herein are defined in MIL-PRF-38535 and MIL-HDBK-1331 and as follows:

| <u>Pin symbol</u> | <u>Description</u>  |
|-------------------|---|
| Port 0            | <p>Port 0 is an 8-bit open drain bidirectional I/O port. Port 0 pins that have 1's written to them float, and in that state can be used as high-impedance inputs.</p> <p>Port 0 is also the multiplexed low-order address and data bus during accesses to external program and data memory. In this application it uses strong internal pullups when emitting 1's. Port 0 also outputs the code bytes during program verification in the 02 and 04 devices. External pullups are required during program verification.</p>  |
| Port 1            | <p>Port 1 is an 8-bit bidirectional I/O port with internal pullups. Port 1 pins that have 1's written to them are pulled high by the internal pullups, and in that state can be used as inputs. As inputs, port 1 pins that are externally being pulled low will source current (<math>I_{IL}</math>), because of the internal pullups.</p> <p>Port 1 also receives the low-order address bytes during program verification.</p>  |
| Port 2            | <p>Port 2 is an 8-bit bidirectional I/O port with internal pullups. Port 2 pins that have 1's written to them are pulled high by the internal pullups, and in that state can be used as inputs. As inputs, port 2 pins that are externally being pulled low will source current (<math>I_{IL}</math>), because of the internal pullups.</p> <p>Port 2 emits the high-order address byte during fetches from external program memory and during accesses to external data memory that use 16-bit addresses (MOVX at DPTR). In this application it uses strong internal pullups when emitting 1's. During accesses to external data memory that used 8-bit addresses (MOVX at Ri), port 2 emits the contents of the P2 special function register.</p> |
| Port 3            | <p>Port 3 is an 8-bit bidirectional I/O port with internal pullups. Port 3 pins that have 1's written to them are pulled high by the internal pullups, and in that state can be used as inputs. As inputs, port 3 pins that are externally being pulled low will source current (<math>I_{IL}</math>), because of the pullups.</p> <p>Port 3 also serves the functions of various special features of the MCS-51 family, as listed below:</p>   |

| Port pin | Alternate function                                  |
|----------|---|
| P3.0     | RXD (serial input port)                             |
| P3.1     | TXD (serial output port)                            |
| P3.2     | $\overline{INT0}$ (external interrupt 0)            |
| P3.3     | $\overline{INT1}$ (external interrupt 1)            |
| P3.4     | T0 (timer 0 external input)                         |
| P3.5     | T1 (timer 1 external input)                         |
| P3.6     | $\overline{WR}$ (external data memory write strobe) |
| P3.7     | $\overline{RD}$ (external data memory read strobe)  |

|     |   |
|-----|---|
| RST | Reset input. A high on this pin for two machine cycles while the oscillator is running resets the device. An internal diffused resistor to $V_{SS}$ permits power-on reset using only an external capacitor to $V_{CC}$ .   |
| ALE | <p>Address latch enable output pulse for latching the low byte of the address during accesses to external memory.</p> <p>In normal operation, ALE is emitted at a constant rate of 1/6 the oscillator frequency, and may be used for external timing or clocking purposes. Note, however, that one ALE pulse is skipped during each access to external data memory.</p> |

|   |                  |                     |              |
|---|------------------|---------------------|--------------|
| <b>STANDARD<br/>MICROCIRCUIT DRAWING</b><br>DEFENSE SUPPLY CENTER COLUMBUS<br>COLUMBUS, OHIO 43218-3990 | SIZE<br><b>A</b> |                     | <b>85064</b> |
|   |                  | REVISION LEVEL<br>K | SHEET<br>22  |

6.5 Abbreviations, symbols, and definitions – Continued.

| <u>Pin symbol</u>         | <u>Description</u>   |
|---------------------------|--|
| $\overline{\text{PSEN}}$  | Program store enable is the read strobe to external program memory. When the 02, 04, 06, and 08 devices are executing code from external program memory, PSEN is activated twice each machine cycle, except that two PSEN activations are skipped during each access to external data memory. PSEN is not activated during fetches from internal program memory. |
| $\overline{\text{EA}}$    | External access enable. $\overline{\text{EA}}$ must be externally held low in order to enable the device to fetch code from external program memory locations 0000H to 0FFFH. If EA is held high the device executes from internal program memory unless the program counter contains an address greater than 0FFFH.   |
| $\overline{\text{XTAL1}}$ | Output from the inverting oscillator amplifier and input to the internal block generator circuits.   |
| $\overline{\text{XTAL2}}$ | Output from the inverting oscillator amplifier.  |

6.6 Sources of supply.

6.6.1 Sources of supply for device classes Q and V. Sources of supply for device classes Q and V are listed in QML-38535. The vendors listed in QML-38535 have submitted a certificate of compliance (see 3.6 herein) to DSCC-VA and have agreed to this drawing.

6.6.2 Approved sources of supply for device class M. Approved sources of supply for class M are listed in MIL-HDBK-103. The vendors listed in MIL-HDBK-103 have agreed to this drawing and a certificate of compliance (see 3.6 herein) has been submitted to and accepted by DSCC-VA.

6.7 PIN supersession information. The PIN supersession data shall be as follows:

| <u>NEW PIN</u>  | <u>OLD PIN</u> |
|-----------------|----------------|
| 5962-8506401MQX | 8506401QX      |
| 5962-8506401MXX | 8506401XX      |
| 5962-8506401MYX | 8506401YX      |
| 5962-8506402MQX | 8506402QX      |
| 5962-8506402MXX | 8506402XX      |
| 5962-8506402MYX | 8506402YX      |
| 5962-8506403MQX | 8506403QX      |
| 5962-8506403MXX | 8506403XX      |
| 5962-8506403MYX | 8506403YX      |
| 5962-8506404MQX | 8506404QX      |
| 5962-8506404MXX | 8506404XX      |
| 5962-8506404MYX | 8506404YX      |

|   |                  |                     |              |
|---|------------------|---------------------|--------------|
| <b>STANDARD<br/>MICROCIRCUIT DRAWING</b><br>DEFENSE SUPPLY CENTER COLUMBUS<br>COLUMBUS, OHIO 43218-3990 | SIZE<br><b>A</b> |                     | <b>85064</b> |
|   |                  | REVISION LEVEL<br>K | SHEET<br>23  |

STANDARD MICROCIRCUIT DRAWING BULLETIN

DATE: 07-11-26

Approved sources of supply for SMD 85064 are listed below for immediate acquisition information only and shall be added to MIL-HDBK-103 and QML-38535 during the next revision. MIL-HDBK-103 and QML-38535 will be revised to include the addition or deletion of sources. The vendors listed below have agreed to this drawing and a certificate of compliance has been submitted to and accepted by DSCC-VA. This information bulletin is superseded by the next dated revision of MIL-HDBK-103 and QML-38535. DSCC maintains an online database of all current sources of supply at <http://www.dscclia.mil/Programs/Smcr/>.

| Standard microcircuit drawing<br>PIN 1/ | Vendor CAGE number | Vendor similar<br>PIN 2/       |
|---|--------------------|--------------------------------|
| 5962-8506401MMA                         | 0C7V7              | 80C31BH/BMA                    |
| 5962-8506401MQA                         | 0C7V7              | 80C31BH/BQA                    |
| 5962-8506401MXA                         | 0C7V7              | 80C31BH/BUA                    |
| 5962-8506401MYA                         | <u>3/</u>          | 80C31BH/BYA                    |
| 5962-8506401NUA                         | <u>3/</u>          | 80C31BH/CN40A                  |
| 5962-8506401NVA                         | <u>3/</u>          | 80C31BH/CA44A                  |
| 5962-8506402MMA                         | <u>3/</u>          | 80C51BH                        |
| 5962-8506402MQA                         | <u>3/</u>          | 80C51BH/BQA<br>MD80C51BH       |
| 5962-8506402MXA                         | <u>3/</u>          | 80C51BH/BUA<br>MR80C51BH       |
| 5962-8506402MYA                         | <u>3/</u>          | 80C51BH/BYA                    |
| 5962-8506402NUA                         | <u>3/</u>          | 80C51BH/CN40A                  |
| 5962-8506402NVA                         | <u>3/</u>          | 80C51BH/CA44A                  |
| 5962-8506403MMA                         | 0C7V7              | 80C31BH-16/BMA                 |
| 5962-8506403MQA                         | 0C7V7              | 80C31BH-16/BQA                 |
| 5962-8506403MXA                         | 0C7V7              | 80C31BH-16/BUA                 |
| 5962-8506403MYA                         | <u>3/</u>          | 80C51BH-16/BYA                 |
| 5962-8506403NUA                         | <u>3/</u>          | 80C31BH-16/CN40A               |
| 5962-8506403NVA                         | <u>3/</u>          | 80C31BH-16/CN44A               |
| 5962-8506404MMA                         | <u>3/</u>          | 80C51BH-16                     |
| 5962-8506404MQA                         | <u>3/</u>          | 80C51BH-16/BQA<br>MD80C31BH-16 |
| 5962-8506404MXA                         | <u>3/</u>          | 80C51BH-16/BUA<br>MR80C31BH-16 |
| 5962-8506404MYA                         | <u>3/</u>          | 80C51BH-16/BYA                 |
| 5962-8506404NUA                         | <u>3/</u>          | 80C51BH-16/CN40A               |
| 5962-8506404NVA                         | <u>3/</u>          | 80C51BH-16/CN44A               |

See footnotes at end of table.



STANDARD MICROCIRCUIT DRAWING BULLETIN – Continued.

DATE: 07-11-26

| Standard microcircuit drawing<br>PIN <u>1/</u> | Vendor CAGE<br>number | Vendor similar<br>PIN <u>2/</u> |
|--|-----------------------|---------------------------------|
| 5962-8506405NUA                                | <u>3/</u>             | 80C31BH/IN40A                   |
| 5962-8506405NVA                                | <u>3/</u>             | 80C31BH/IA44A                   |
| 5962-8506406NUA                                | <u>3/</u>             | 80C51BH/IN40A                   |
| 5962-8506406NVA                                | <u>3/</u>             | 80C51BH/IA44A                   |
| 5962-8506407NUA                                | <u>3/</u>             | 80C31BH-16/IN40A                |
| 5962-8506407NVA                                | <u>3/</u>             | 80C31BH-16/IA44A                |
| 5962-8506408NUA                                | <u>3/</u>             | 80C51BH-16/IN40A                |
| 5962-8506408NVA                                | <u>3/</u>             | 80C51BH-16/IA44A                |

- 1/ The lead finish shown for each PIN representing a hermetic package is the most readily available from the manufacturer listed for that part. If the desired lead finish is not listed contact the vendor to determine its availability.
- 2/ Caution. Do not use this number for item acquisition. Items acquired to this number may not satisfy the performance requirements of this drawing.
- 3/ Not available from an approved source of supply.

Vendor CAGE  
number

0C7V7

Vendor name  
and address

QP Semiconductor  
2945 Oakmead Village Court  
Santa Clara, CA 95051

The information contained herein is disseminated for convenience only and the Government assumes no liability whatsoever for any inaccuracies in the information bulletin.

## X-ON Electronics

Largest Supplier of Electrical and Electronic Components

*Click to view similar products for [Microprocessors - MPU category](#):*

*Click to view products by [E2v manufacturer](#):*

Other Similar products are found below :

[MC68302EH20C](#) [MC7457RX1000LC](#) [MC7457RX1267LC](#) [MC7457VG1267LC](#) [A2C00010998 A](#) [A2C52004004](#) [R5F117BCGNA#20](#)  
[R5F52106BDLA#U0](#) [ADJ3400IAA5DOE](#) [MPC8245TVV266D](#) [MPC8245TZU300D](#) [MPC8260ACVVMHBB](#) [MPC8323ECVRAFDCA](#)  
[MPC8536ECVJAVLA](#) [BOXNUC5PGYH0AJ](#) [20-668-0024](#) [P1010NSN5DFB](#) [P2010NSN2MHC](#) [P2020NXE2HHC](#) [P5020NSE7QMB](#)  
[P5020NSE7TNB](#) [P5020NSE7VNB](#) [LS1020ASN7KQB](#) [LS1020AXN7HNB](#) [LS1020AXN7KQB](#) [A2C00010729 A](#) [A2C00039344](#)  
[T1022NSE7MQB](#) [T1022NXN7PQB](#) [T1023NSE7MQA](#) [T1024NXE7PQA](#) [T1042NSE7MQB](#) [T1042NSN7MQB](#) [T1042NXN7WQB](#)  
[T2080NSE8TTB](#) [T2080NSN8PTB](#) [T2080NXE8TTB](#) [T2081NXN8TTB](#) [R5F101AFASP#V0](#) [MC68302CEH20C](#) [MPC8260ACVVMIBB](#)  
[MPC8280CZUUPEA](#) [MPC8313ECVRAFFC](#) [MPC8313ECVRAGDC](#) [MPC8313EVRADDC](#) [MPC8313EVRAFFC](#) [MPC8313VRADDC](#)  
[MPC8314CVRAGDA](#) [MPC8314VRAGDA](#) [MPC8315VRAGDA](#)