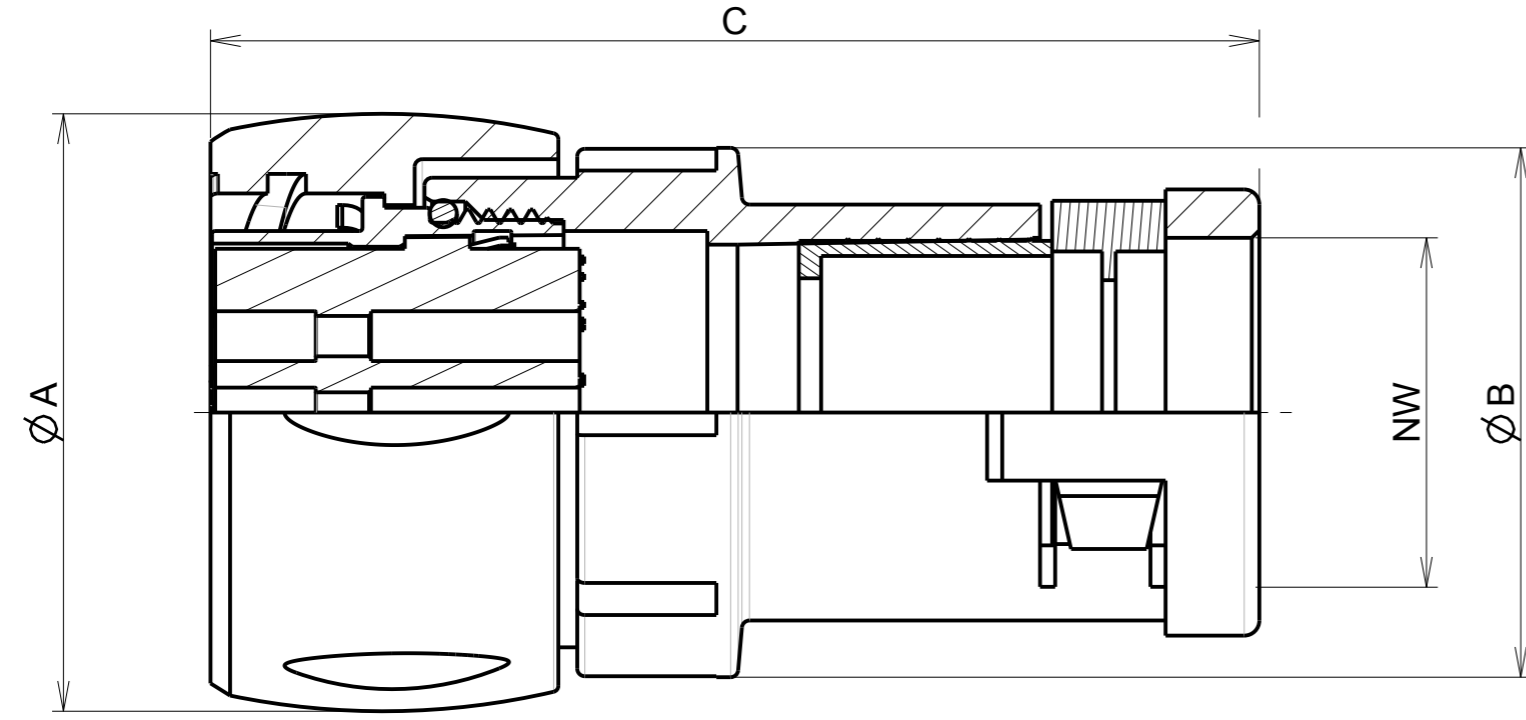
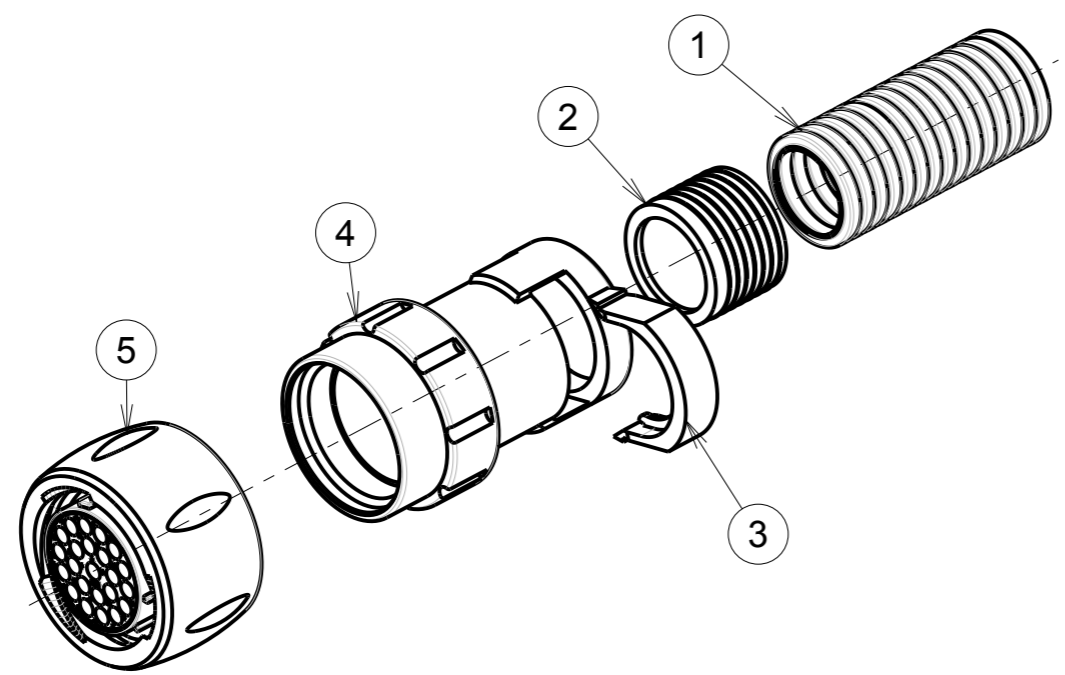


b:0;RL



ASSEMBLED VIEW

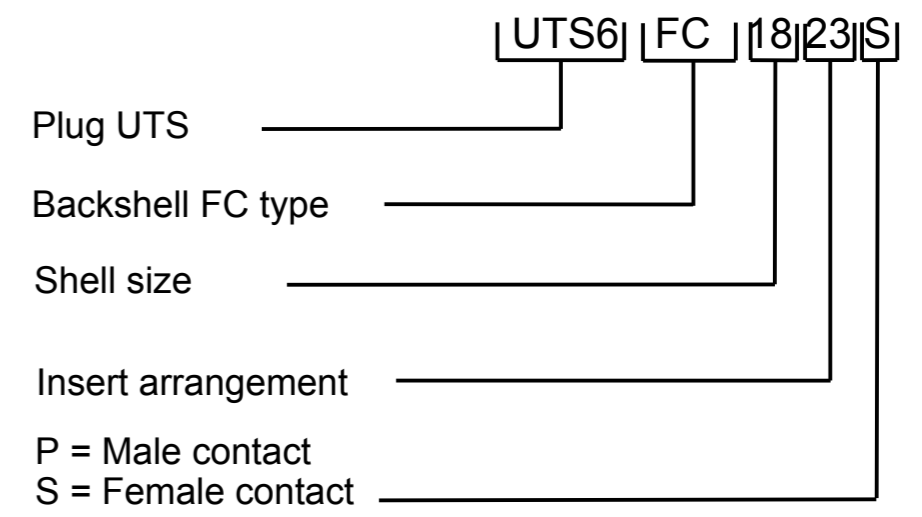
P/N	CONNECTOR SIZE	FLEX SIZE CONDUIT (see note 5)	Ø A Maxi	Ø B ±0.3	C ± 0.6
UTS6FC12XXP/S	12	NW12	30.15	24	61
UTS6FC14XXS	14	NW12	35.1	26.5	61
UTS6FC18XXS	18	NW17	42	35	69.2



MATERIAL :
 ④ Backshell body :Polyamid
 ② Seal : Elastomer
 ③ Retaining clip : Polyamid
 ⑤ Coupling Nut:Polyamid
 Insert:Polyamid
 Shell : Polyamid
 Coupling spring : stainless steal
 O'seal : NBR

PERFORMANCE CHARACTERISTICS :
 Operating temperature:-40°C up to 105°C
 Corrosion salt spray:500 hours
 Sealing in assembly conditions: (with an UTS connector)
 -IP68 compliant ; 1 bars/30 min
 -IP69K as per DIN40050
 Insulation resistance: 5000 M min
 Test potential : 2000Vrms for #16 layout
 Durability: 250 matings and unmatings
 Flammability: Polyamid material classified UL94 V-0

NOTES :
 -1-Contact to be ordered separately :refer to UTS catalog
 -2-Insert arrangements refer to BT 297 see drawing for information: C142-UTS1-A
 -For male plug, only layout size 12
 -3-Polarization of connector: refer to :
 -UT0-POLARIZATION-C01
 -UT0W-POLARIZATION-C01
 -4-Delivered as a kit in a plastic bag (individual): with parts 2, 3, 4 and 5
 -5-Recommended flexible conduit range :PMAFLEX
 -6-For assembly instruction, see BT297



P/N : UTS6FC12P**
UTS6FC**S**

b	07/06/13	Modification notes		22523A
ISS	DATE	Latest modification - by: J.FEURPRIER		MOD N°
Designed by: J.FEURPRIER		Date:02/04/13	CUSTOMER DRAWING	
TITLE		ASSEMBLY BACKSHELL AND UTS PLUG CONNECTOR		
		UTS CONNECTOR		
Scale	1/2	General linear Tolerances: ± 0.2	NPRDS / PROJECT IC124509A	
SOURIAU		WWW.SOURIAU.COM		This document is the property of SOURIAU It must not be reproduced or communicated without permission
FORMAT	A3	SOURIAU DRG N° C186-UTS1-A		SHEET 1 / 1

X-ON Electronics

Largest Supplier of Electrical and Electronic Components

Click to view similar products for [Circular MIL Spec Connector](#) category:

Click to view products by [Sunbank](#) manufacturer:

Other Similar products are found below :

[89075GULPR](#) [0025-262-542](#) [0025-264-3014](#) [58-570121-04S](#) [0134-213-1208](#) [0134-213-2209](#) [0025-258-000](#) [60-042022-07P](#) [60-042022-19P](#)
[60-042022-23P](#) [60-042217-10P](#) [0114-201-1278](#) [012-0467-000](#) [602GB06EG24-61SN](#) [0134-201-1207](#) [0134-213-1006](#) [6104-207-2302](#) [6104-](#)
[208-1902](#) [61-168211-04P](#) [61-168617-10P](#) [6131-202-19149P](#) [6131-204-21149P](#) [6131-208-13149P](#) [6131-209-17149P](#) [6131-210-11149P](#) [6131-](#)
[211-19149P](#) [6131-216-19149P](#) [6131-259-21149P](#) [6131-259-23149P](#) [6131-265-17149P](#) [6131-265-19149P](#) [CS3100A18-1P-472](#) [CS3100A-36-](#)
[77P](#) [CS3101A-16-55P](#) [CS3102A-10SL-55P](#) [CS3102A-14S-58P](#) [CS3102A-32-17P](#) [CS3102A32-25S](#) [CS3102C18-4P-472](#)
[CS3106A10SL3S004](#) [CS3106A-18-73S](#) [CS3108A-14S-52S](#) [CS3108A-28-51S](#) [6162-233-1277](#) [6162-324-1231](#) [M243082296Z](#)
[M2884010AC1S1](#) [CT0-24-10SC](#) [CT0M20-7PCAU](#) [M28840/17AC1G3](#)