




## Product information GDM 2009 grau/grey

Industrial Connecting Solutions:Rectangular Connectors:Valve Connectors (Type A -B -C):Type A:Field Attachable Valve Connectors:Valve Connectors (DIN EN 175 301-803):GDM 2009 grau/grey

<https://e-catalog.hirschmann.com:443/link/57078-24228-256261-256266-256270-276215-24311-34881/en/conf/ui/istate>

|  |  |
|--|--|
| Name                                     | GDM 2009 grau/grey   |
|  |     |
|  | cable socket with central screw M 3 x 35   |
| <b>Delivery informations</b>             |  |
| Availability                             | available  |
| <b>Product description</b>               |  |
| Description                              | cable socket with central screw M 3 x 35   |
| Type                                     | GDM 2009 grau/grey   |
| Order No.                                | 931 965-106  |
| Other standard types                     | black housing,<br>Order no. 931 965-100  |
| Number of contacts                       | 2 + PE   |
| Cable gland                              | PG 9   |
| Conductor size                           | max. 1.5 mm <sup>2</sup>   |
| Standard                                 | DIN EN 175 301-803-A   |
| Housing Color                            | grau   |
| Construction type                        | A  |
| <b>Technical data</b>                    |  |
| Pin dimensions                           | 6.3 mm x 0.8 mm, 4.8 mm x 0.8 mm   |
| Rated voltage                            | AC/DC 250 V  |
| Rated current                            | 16 A   |
| Contact resistance                       | <= 4 mOhm  |
| Type of termination                      | screw  |
| Suitable cables                          | 4.5 mm to 7 mm diameter  |
| Mounting                                 | central nut  |
| <b>Material</b>                          |  |
| Contact surface material                 | Sn   |
| Contact bearer material                  | PA   |
| Housing material                         | PA   |
| <b>Environmental conditions</b>          |  |
| Protection class (IEC 60529)             | IP 65 (gasket necessary)   |
| Pollution severity                       | 3  |
| Temperature range                        | -40 °C to +125 °C  |
| <b>Inflammability class</b>              |  |
| Housing                                  | 94 HB  |
| Contact bearer                           | 94 HB  |
| <b>Approvals</b>                         |  |
| VDE                                      | VDE  |
| SEV                                      | SEV  |
| CSA                                      | CSA  |
| <b>Packing unit</b>                      |  |
| Packaging unit                           | 200 pieces   |
| <b>Scope of delivery and accessories</b> |  |
| Accessories to order separately          | (NBR) flat gasket GDM 3-7,<br>Order no. 730 801-002;<br>(EPDM) flat gasket GDM 3-21, |



# HIRSCHMANN

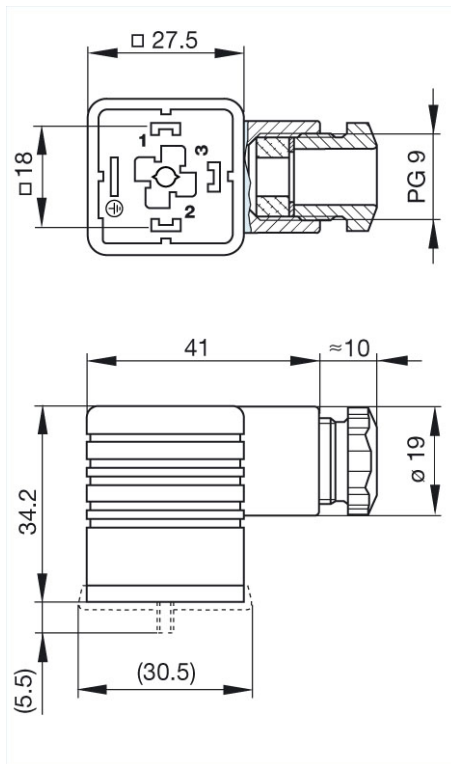
A BELDEN BRAND

Industrial Connecting Solutions:Rectangular Connectors:Valve Connectors (Type A -B -C):Type A:Field Attachable Valve Connectors:Valve Connectors (DIN EN 175 301-803):GDM 2009 grau/grey  
<https://e-catalog.hirschmann.com:443/link/57078-24228-256261-256266-256270-276215-24311-34881/en/conf/ui/state>

Order no. 731 739-004;  
profiled gasket GDM 3-16,  
Order no. 731 531-002;  
knurled screw GDM 3011-8,  
Order no. 732 574-001;  
stainless steel screw GDM 3011 RF-1,  
Order no. 734 363-001

## Picture

### Drawing



### Belden Deutschland GmbH

Im GewerbestraÙe 2  
58579 Schalksmühle  
Germany  
Phone: +49 7127/14-1806  
E-Mail: [icos-sales@belden.com](mailto:icos-sales@belden.com)

The information published in the websites has been compiled as carefully as possible. It is subject to alteration without notice in technical as well as in price-related/commercial respect. The complete information and data were available on user documentation. Mandatory information can only be obtained by a concrete query.

## X-ON Electronics

Largest Supplier of Electrical and Electronic Components

*Click to view similar products for [Rack & Panel Connectors](#) category:*

*Click to view products by [Belden](#) manufacturer:*

Other Similar products are found below :

[00170420102](#) [00171410002](#) [00171420202](#) [00171440002](#) [008026165000265](#) [00-8219-072-000-112P44](#) [008219072000112P5](#)  
[008219072000112P61](#) [00-8223-096-580-102](#) [02-014-013-5200-000](#) [00-8129-015-610-108](#) [613467-000](#) [CTJ112E01E-513](#) [CTJ116E03A-513](#)  
[CTJ720E01B-513 L/C](#) [M81714/63-22S L/C](#) [M81714/65-12-1](#) [66020-2](#) [CW8958-000](#) [699886-000](#) [D250-50632](#) [70.400.3240.0](#) [70.955.2453.3](#)  
[733753-000](#) [F22831-000](#) [780-522-DPX34RG8-02](#) [MMA25-0051R1](#) [MMA25-0341D1](#) [8660-501](#) [87.060.0053.0](#) [900709N001](#) [QRP4-12P-](#)  
[C\(01\)](#) [QR/P6-6S-C\(01\)](#) [AC-600003-004](#) [1218600-1](#) [D-659-0061](#) [DMC-MD 24 C-T](#) [1-445717-6](#) [1484398-2](#) [1484399-2](#) [1484469-2](#) [MR-](#)  
[34MG](#) [1484225-1](#) [1484398-1](#) [1484510-4](#) [1604997-2](#) [1663130-1](#) [1663767-7](#) [1663767-8](#) [MTC100-BF1-P31CS015](#)