




## Product information CA 3 GS

Industrial Connecting Solutions: Circular Connectors: MIL, DIN, Universal Connectors: Signal and Power (CA series): Cable plug and panel-mounted connector: CA 3 GS

<http://www.e-catalog.beldensolutions.com/link/57078-24228-256281-256284-24359-24361-36080/en/conf/uislate>

Name	CA 3 GS
	
	Panel-mounted connector with flange
<b>Delivery informations</b>	
Availability	available
<b>Product description</b>	
Description	Panel-mounted connector with flange
Type	CA 3 GS
Order No.	932 322-100
Number of contacts	3 + PE
Conductor size	max. 2.5 mm <sup>2</sup>
Housing Color	black
<b>Technical data</b>	
Pin dimensions	2 mm
Rated voltage	AC 400 V / DC 250 V
Rated current	DC 10 A / AC 16 A
Contact resistance	<= 3 mOhm
Type of termination	screw
Mounting	flange
<b>Material</b>	
Contact surface material	Ag
Contact bearer material	PA 66-GF 25
Housing material	PA 66-GF 25
O-Ring	NBR
<b>Environmental conditions</b>	
Protection class (IEC 60529)	IP 67
Pollution severity	3
Temperature range	-40 °C to +90 °C
<b>Inflammability class</b>	
Flammability, UL standard	94 V-0
<b>Approvals</b>	
UL	UL
VDE	VDE
<b>Packaging unit</b>	
Packaging unit	100 pieces
<b>Scope of delivery and accessories</b>	
Scope of delivery	1 panel-mounted connector with sealing ring, in polyphene bag
Accessories to order separately	can be plugged into CA 3 LD; cap CA 00 SD 2, order no. 831 529-100



# HIRSCHMANN

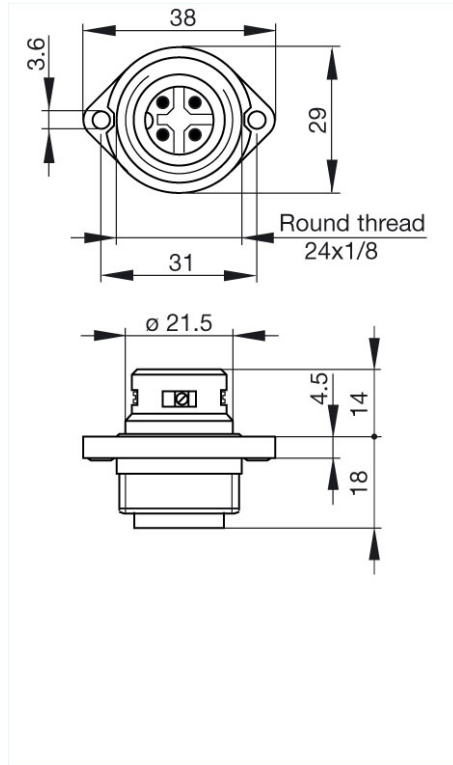
A BELDEN BRAND

Industrial Connecting Solutions: Circular Connectors: MIL, DIN, Universal Connectors: Signal and Power (CA series): Cable plug and panel-mounted connector: CA 3 GS

<http://www.e-catalog.beldensolutions.com/link/57078-24228-256281-256284-24359-24361-36080/en/conf/ui/state>

Picture

Drawing



#### Belden Deutschland GmbH

Im Gewerbepark 2

58579 Schalksmühle

Germany

Phone: +49 7127/14-1806

E-Mail: [icos-sales@belden.com](mailto:icos-sales@belden.com)

The information published in the websites has been compiled as carefully as possible. It is subject to alteration without notice in technical as well as in price-related/commercial respect. The complete information and data were available on user documentation. Mandatory information can only be obtained by a concrete query.

## X-ON Electronics

Largest Supplier of Electrical and Electronic Components

*Click to view similar products for [Circular MIL Spec Connector](#) category:*

*Click to view products by [Hirschmann](#) manufacturer:*

Other Similar products are found below :

[89075GULPR](#) [0025-262-542](#) [0025-264-3014](#) [58-570121-04S](#) [0134-213-1208](#) [0134-213-2209](#) [0025-258-000](#) [60-042022-07P](#) [60-042022-19P](#)  
[60-042022-23P](#) [60-042217-10P](#) [0114-201-1278](#) [012-0467-000](#) [602GB06EG24-61SN](#) [0134-201-1207](#) [0134-213-1006](#) [6104-207-2302](#) [6104-](#)  
[208-1902](#) [61-168211-04P](#) [61-168617-10P](#) [6131-202-19149P](#) [6131-204-21149P](#) [6131-208-13149P](#) [6131-209-17149P](#) [6131-210-11149P](#) [6131-](#)  
[211-19149P](#) [6131-216-19149P](#) [6131-259-21149P](#) [6131-259-23149P](#) [6131-265-17149P](#) [6131-265-19149P](#) [CS3100A18-1P-472](#) [CS3100A-36-](#)  
[77P](#) [CS3101A-16-55P](#) [CS3102A-10SL-55P](#) [CS3102A-14S-58P](#) [CS3102A-32-17P](#) [CS3102A32-25S](#) [CS3102C18-4P-472](#)  
[CS3106A10SL3S004](#) [CS3106A-18-73S](#) [CS3108A-14S-52S](#) [CS3108A-28-51S](#) [6162-233-1277](#) [6162-324-1231](#) [M243082296Z](#)  
[M2884010AC1S1](#) [CT0-24-10SC](#) [CT0M20-7PCAU](#) [M28840/17AC1G3](#)