

For Memory card Connection

2.5 mm
Pitch

MMC CONNECTOR

This MMC connector has been developed for the Multimedia Card (MMC) which is a miniature memory storage. The MMC has recently caught the attention of the mobile terminal industry, in particular the music industry (esp. MP3) and Video industry. The "Push-push" mechanism is adopted for insertion and ejection of the card.



"Push-push" mechanism

One push to the edge of the card will provide a smooth insertion and ejection.

Surface Mounting M type

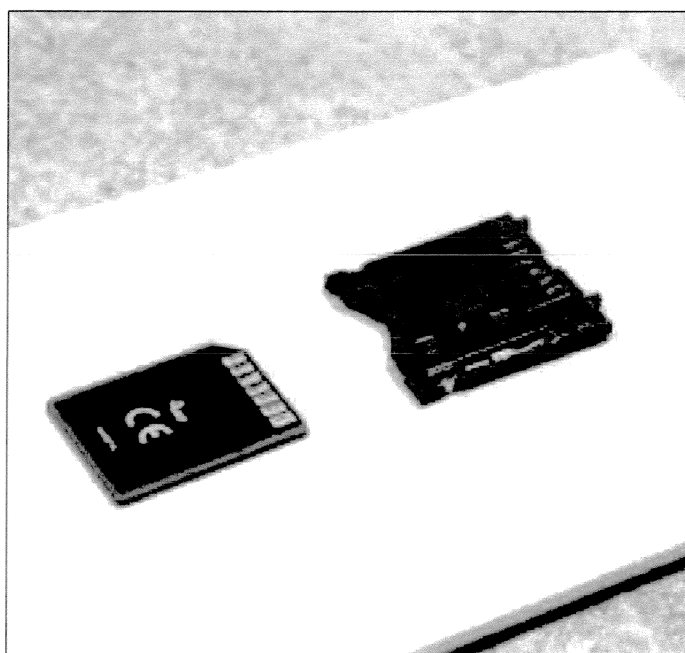
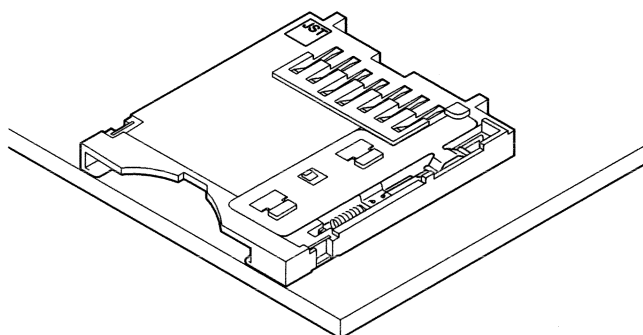
The material of the Housing is a heat-proof type and therefore, the Reflow soldering type M can be used for Surface Mounting.

Reverse Type

This reverse type has upper contacts.

Low profile

Realises a height of 3 mm.



■ Specifications

- Current rating : 0.5 A AC, DC
- Voltage rating : 5.0 V AC, DC
- Temperature range: - 25 °C ~ + 85 °C (including temperature rise while ON)
- Contact Resistance: Initial / Max. 30 m Ω
After environmental testing / 50 m Ω
- Dielectric Voltage: AC 500 V / 1 min.
- Insulation : Min. 1,000 M Ω at 500 V dc
Resistance
- Durability : 10,000 times
- No. of circuit : 7 circuits

J.S.T. MFG. CO., LTD.

(URL) <http://www.jst-mfg.com>

Sales offices

Utsunomiya, Yokohama, Hachioji, Nagano, Aichi, Osaka, Kurayoshi, Hiroshima, Fukuoka in Japan and Belgium, Spain, U.K., Germany, France, Italy, U.S.A., Singapore, Thailand, Malaysia, China (Hong Kong, Shanghai), Taiwan, Korea, Australia

Engineering Centers

Osaka, Yokohama, Nagoya, Tsuyama, Kurayoshi in Japan and U.S.A., U.K., Singapore

Plants

Nishi - Kurayoshi, Kurayoshi, Misasa, In-no-sho, Tsuyama, Utsunomiya, Oohara, Urayasu in Japan and Belgium, France, U.S.A., Indonesia

X-ON Electronics

Largest Supplier of Electrical and Electronic Components

Click to view similar products for [FFC & FPC Connectors](#) category:

Click to view products by [JST manufacturer](#):

Other Similar products are found below :

[HFW11R-1STE1H1LF](#) [FH29B-100S-0.2SHW\(99\)](#) [FA5S008HP1](#) [FH29B-120S-0.2SHW\(99\)](#) [FH29B-80S-0.2SHW\(99\)](#) [FHS-16](#) [FPH-2022G](#)
[52610-1075](#) [52610-1275](#) [52610-1934](#) [XF3M\(1\)-1415-1B-R100](#) [501864-3091-TR225](#) [0525594033](#) [086210010340800](#) [086222026001800](#)
[52271-2869-CUT-TAPE](#) [62674-201121DLF](#) [62684-36210E9ALF](#) [52610-1675](#) [52746-1671-TR250](#) [10051922-2810EHLF](#) [6-520415-9](#)
[BD021-09A-A1-0350-0200-0550-LD](#) [SFV6R-1STE9HLF](#) [XF3M-2915-1B-R100](#) [1658549-1](#) [62674-221121ALF](#) [46214008010800](#)
[046298003000883](#) [151660622](#) [842-816-2630-035](#) [AYF530665TA](#) [AYF351525](#) [046296011930846+](#) [AYF352325A](#) [046254020000800+](#)
[FH19C-13S-0.5SH\(99\)](#) [FH39J-51S-0.3SHW\(99\)](#) [AYF355125A](#) [AYF530365TA](#) [FH29B-44S-0.2SHW\(99\)](#) [SFW5R-2STAE9LF](#) [AYF351125A](#)
[AYF350725A](#) [62684-502100AHLF](#) [FH39-61S-0.3SHW\(99\)](#) [AYF414035A](#) [10064555-172520HLF](#) [AYF212335A](#) [504754-2500](#)