




## Product information GDME 3011 schwarz/black

Industrial Connecting Solutions:Archive - Industrial Connectors:Rectangular connectors GDM-series (Archive):Type A EN 175301-803 (DIN 43650) / ISO 4400:Cable socket with electronic insert:GDME

3011 schwarz/black

<http://e-catalog.hirschmann.com/link/57078-24228-62529-86162-24310-24314-35052/en/conf/ui/state>

|  |  |
|--|--|
| <b>Name</b>                              | GDME 3011 schwarz/black  |
|  |   |
|  | cable socket with central screw M 3 x 40, strain relief and transparent cover, possibility to fit electronic inserts                                 |
| <b>Delivery informations</b>             |  |
| <b>Availability</b>                      | available  |
| <b>Product description</b>               |  |
| <b>Description</b>                       | cable socket with central screw M 3 x 40, strain relief and transparent cover, possibility to fit electronic inserts                                 |
| <b>Type</b>                              | GDME 3011 schwarz/black  |
| <b>Order No.</b>                         | 933 022-100  |
| <b>Other standard types</b>              | grey housing, Order no. 933 022-106  |
| <b>Number of contacts</b>                | 3 + PE   |
| <b>Cable gland</b>                       | PG 11 (black)  |
| <b>Conductor size</b>                    | max. 1.5 mm <sup>2</sup>   |
| <b>Standard</b>                          | DIN EN 175 301-803-A   |
| <b>Housing Color</b>                     | black, with transparent cover  |
| <b>Construction type</b>                 | A  |
| <b>Technical data</b>                    |  |
| <b>Pin dimensions</b>                    | 6.3 mm x 0.8 mm, 4.8 mm x 0.8 mm   |
| <b>Rated voltage</b>                     | AC 400 V, DC 250 V without inserts   |
| <b>Rated current</b>                     | 16 A   |
| <b>Contact resistance</b>                | <= 4 mOhm  |
| <b>Type of termination</b>               | screw  |
| <b>Suitable cables</b>                   | 4.5 mm to 11 mm diameter   |
| <b>Mounting</b>                          | central nut  |
| <b>Material</b>                          |  |
| <b>Contact surface material</b>          | Sn   |
| <b>Contact bearer material</b>           | PA   |
| <b>Housing material</b>                  | PA   |
| <b>Environmental conditions</b>          |  |
| <b>Protection class (IEC 60529)</b>      | IP 65 (gasket necessary)   |
| <b>Pollution severity</b>                | 3  |
| <b>Temperature range</b>                 | -40 °C to +85 °C   |
| <b>Inflammability class</b>              |  |
| <b>Housing</b>                           | 94 V1  |
| <b>Contact bearer</b>                    | 94 V1  |
| <b>Approvals</b>                         |  |
| <b>VDE</b>                               | VDE  |
| <b>SEV</b>                               | SEV  |
| <b>GL</b>                                | GL   |
| <b>Packing unit</b>                      |  |
| <b>Packaging unit</b>                    | 50 pieces  |
| <b>Scope of delivery and accessories</b> |  |
| <b>Accessories to order separately</b>   | (NBR) flat gasket GDM 3-7, Order no. 730 801-002; (EPDM) flat gasket GDM 3-21, Order no. 731 739-004; knurled screw GDME 3N-7, Order no. 732 280-001 |



# HIRSCHMANN

A BELDEN BRAND

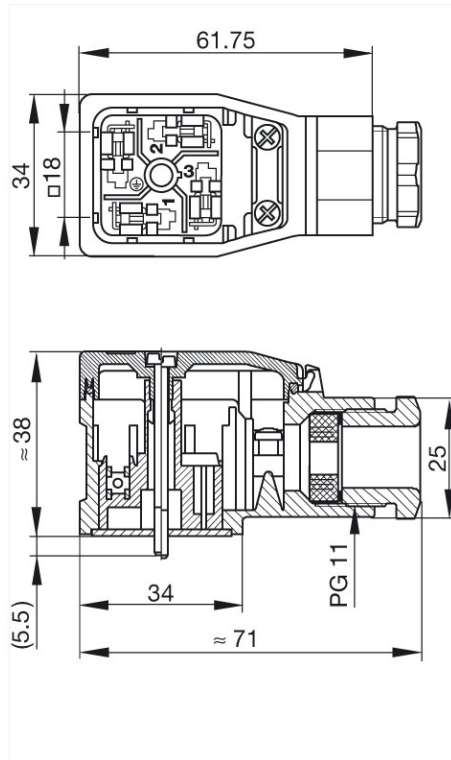
Industrial Connecting Solutions:Archive - Industrial Connectors:Rectangular connectors GDM-series (Archive):Type A EN 175301-803 (DIN 43650) / ISO 4400:Cable socket with electronic insert:GDME

3011 schwarz/black

<http://e-catalog.hirschmann.com/link/57078-24228-62529-86162-24310-24314-35052/en/conf/uistate>

Picture

Drawing



**Belden Deutschland GmbH**

Im Gewerbepark 2

58579 Schalksmühle

Germany

Phone: +49 7127/14-1806

E-Mail: [icos-sales@belden.com](mailto:icos-sales@belden.com)

The information published in the websites has been compiled as carefully as possible. It is subject to alteration without notice in technical as well as in price-related/commercial respect. The complete information and data were available on user documentation. Mandatory information can only be obtained by a concrete query.

## X-ON Electronics

Largest Supplier of Electrical and Electronic Components

*Click to view similar products for [Heavy Duty Power Connectors](#) category:*

*Click to view products by [Hirschmann](#) manufacturer:*

Other Similar products are found below :

[1424439](#) [1424438](#) [09330062652](#) [2-8675P1](#) [580129-2](#) [605601-1](#) [6340G1](#) [6341G1](#) [6360G1](#) [6373G1](#) [6374g2](#) [6396G1](#) [647757-1](#) [66394-4](#)  
[6643411-1](#) [6646058-2](#) [6646137-1](#) [6646138-1](#) [6646348-1](#) [6646479-1](#) [6646608-1](#) [6646786-1](#) [6646940-1](#) [6651091-1](#) [6651525-1](#) [6651529-1](#)  
[6651778-1](#) [6651788-1](#) [696465-1](#) [696475-1](#) [73000005059](#) [73000005349](#) [73000005642](#) [73080255059](#) [73080965046](#) [765-15-0080A](#)  
[765-16-0080B](#) [789.700-44](#) [789.700-54](#) [80-1010](#) [80-9](#) [827381-1](#) [829992-1](#) [902-77-02113](#) [PL00U-301-10D10](#) [PM103MOOLOO](#)  
[PM16S1620S32-50](#) [PM212MOOLOO](#) [PM309FOOLOO](#) [PM324FOOLCH](#)