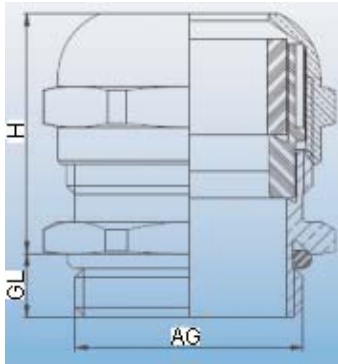




Cable Gland and Locknut



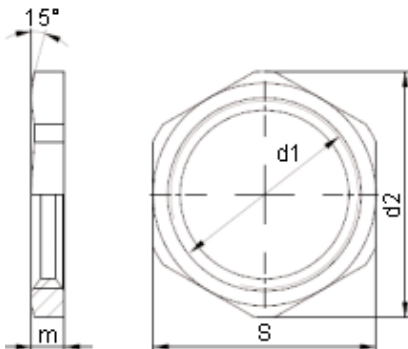
Features :

- Material : Nickel plated brass
- Clamping Insert : PA (nylon)
- Seal : NBR
- O-ring : Buna-N
- Protection : IP 68 - 5 bar within the specific clamping range
- Operating Temperature : -40°C to +100°C (static)
: -20°C to +80°C (dynamic)

Specification Table

AG	 mm	GL (mm)	H (mm)	 mm
M12 × 1.5	3 - 6.5	6	19.5	14
M16 × 1.5	4.5 - 10		22	19
M20 × 1.5	6 - 12		24.5	22
M25 × 1.5	9 - 17	7	26	29
M32 × 1.5	11 - 21	8	34	34
M40 × 1.5	19 - 28		36.5	44
M50 × 1.5	27 - 35	9	45	54
M63 × 1.5	34 - 48	10	48	67

Dimensions : Millimetres



Dimensions Table

d1	d2	S	m
M12 × 1.5	16.6 ±0.2	15	2.8 ±0.2
M16 × 1.5	21 ±0.2	19	
M20 × 1.5	25.5 ±0.2	23	3 ±0.2
M25 × 1.5	32 ±0.3	29	3.5 ±0.3
M32 × 1.5	40 ±0.3	36	4 ±0.3
M40 × 1.5	49 ±0.3	45	4.5 ±0.3
M50 × 1.5	60 ±0.3	55	5.5 ±0.3
M63 × 1.5	76 ±0.3	70	6 ±0.3

Dimensions : Millimetres

Cable Gland and Locknut

pro-POWER

Part Number Table

Description	Part Number
Gland, Nickel, M12, 3 - 6.5 mm, PK50	MLCM12
Gland, Nickel, M16, 4.5 - 10 mm, PK50	MLCM16
Gland, Nickel, M20, 6 - 12 mm, PK50	MLCM20
Gland, Nickel, M25, 9 - 17 mm, PK25	MLCM25
Gland, Nickel, M32, 11 - 21 mm, PK25	MLCM32
Gland, Nickel, M40, 19 - 28 mm, PK10	MLCM40
Gland, Nickel, M50, 27 - 35 mm, PK5	MLCM50
Gland, Nickel, M63, 34 - 48 mm, PK5	MLCM63
Locknut, Nickel, M12, PK50	1162120050
Locknut, Nickel, M16, PK50	1162160050
Locknut, Nickel, M20, PK50	1162200050
Locknut, Nickel, M25, PK25	1162250050
Locknut, Nickel, M32, PK25	1162320050
Locknut, Nickel, M40, PK10	1162400050
Locknut, Nickel, M50, PK5	1162500050
Locknut, Nickel, M63, PK5	1162630050

Important Notice : This data sheet and its contents (the "Information") belong to the members of the Premier Farnell group of companies (the "Group") or are licensed to it. No licence is granted for the use of it other than for information purposes in connection with the products to which it relates. No licence of any intellectual property rights is granted. The Information is subject to change without notice and replaces all data sheets previously supplied. The Information supplied is believed to be accurate but the Group assumes no responsibility for its accuracy or completeness, any error in or omission from it or for any use made of it. Users of this data sheet should check for themselves the Information and the suitability of the products for their purpose and not make any assumptions based on information included or omitted. Liability for loss or damage resulting from any reliance on the Information or use of it (including liability resulting from negligence or where the Group was aware of the possibility of such loss or damage arising) is excluded. This will not operate to limit or restrict the Group's liability for death or personal injury resulting from its negligence. Multicom is the registered trademark of the Group. © Premier Farnell plc 2012.

www.element14.com
www.farnell.com
www.newark.com
www.cpc.co.uk

pro-POWER

X-ON Electronics

Authorized Distributor

Click to view similar products for [Wire Identification](#) category.

Click to view products by [Pro Power](#) manufacturer.

Other Similar products are found below :

[TC826TB](#) [H200X044H2T](#) [H200X034F1T](#) [H100X084F2T](#) [H100X044F13](#)

[H100X025H1T2](#) [H100X025F1TB](#) [11631010](#) [PPM15](#) [PMDR4049](#) [D10273000](#)

[SBPTFE9NATURAL](#) [RO2011401WH](#) [WPC15N66NAD1](#) [STDX](#) [TY25M2](#) [LHS124TW0](#)

[T050X000VPCBK](#) [H200X064F1T](#) [H200X044H4T](#) [H200X044H1T](#) [H200X034H2T2B](#)

[H200X034H2T2](#) [H200X034H2T](#) [H200X034H1T2B](#)