


Product information GDME 2013 grau/grey

Industrial Connecting Solutions:Archive - Industrial Connectors:Rectangular connectors GDM-series (Archive):Type A EN 175301-803 (DIN 43650) / ISO 4400:Cable socket with electronic insert:GDME

2013 grau/grey

<http://e-catalog.hirschmann.com/link/57078-24228-62529-86162-24310-24314-35051/en/conf/ui/state>

Name	GDME 2013 grau/grey
	
	cable socket with central screw M 3 x 40, strain relief and transparent cover, possibility to fit electronic inserts
Delivery informations	
Availability	available
Product description	
Description	cable socket with central screw M 3 x 40, strain relief and transparent cover, possibility to fit electronic inserts
Type	GDME 2013 grau/grey
Order No.	933 030-106
Other standard types	black housing, Order no. 933 030-100
Number of contacts	2 + PE
Cable gland	PG 13.5 (grey)
Conductor size	max. 1.5 mm ²
Standard	DIN EN 175 301-803-A
Housing Color	grau, mit transparentem Deckel
Construction type	A
Technical data	
Pin dimensions	6.3 mm x 0.8 mm, 4.8 mm x 0.8 mm
Rated voltage	AC 400 V, DC 250 V without inserts
Rated current	16 A
Contact resistance	<= 4 mOhm
Type of termination	screw
Suitable cables	10 mm to 14 mm diameter
Mounting	central nut
Material	
Contact surface material	Sn
Contact bearer material	PA
Housing material	PA
Environmental conditions	
Protection class (IEC 60529)	IP 65 (gasket necessary)
Pollution severity	3
Temperature range	-40 °C to +85 °C
Inflammability class	
Housing	94 V-1
Contact bearer	94 V-1
Approvals	
VDE	VDE
SEV	SEV
GL	GL
Packing unit	
Packaging unit	50 pieces
Scope of delivery and accessories	
Accessories to order separately	(NBR) flat gasket GDM 3-7, Order no. 730 801-002; (EPDM) flat gasket GDM 3-21, Order no. 731 739-004; knurled screw GDME 3N-7, Order no. 732 280-001



HIRSCHMANN

A BELDEN BRAND

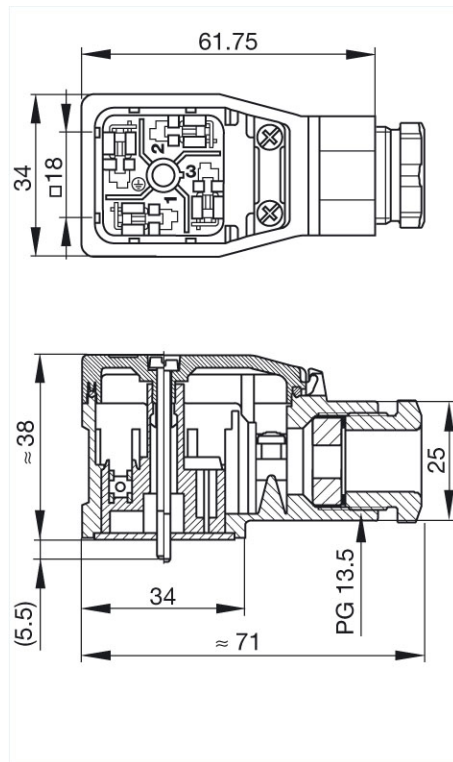
Industrial Connecting Solutions:Archive - Industrial Connectors:Rectangular connectors GDM-series (Archive):Type A EN 175301-803 (DIN 43650) / ISO 4400:Cable socket with electronic insert:GDME

2013 grau/grey

<http://e-catalog.hirschmann.com/link/57078-24228-62529-86162-24310-24314-35051/en/conf/uistate>

Picture

Drawing



Belden Deutschland GmbH

Im Gewerbepark 2
58579 Schalksmühle
Germany
Phone: +49 7127/14-1806
E-Mail: icos-sales@belden.com

The information published in the websites has been compiled as carefully as possible. It is subject to alteration without notice in technical as well as in price-related/commercial respect. The complete information and data were available on user documentation. Mandatory information can only be obtained by a concrete query.

X-ON Electronics

Largest Supplier of Electrical and Electronic Components

Click to view similar products for [In-Line Junction Modules](#) category:

Click to view products by [Belden](#) manufacturer:

Other Similar products are found below :

[00111975102](#) [6131-202-1358P](#) [6131-207-1158P](#) [6131-207-1558P](#) [6131-207-1758P](#) [6131-209-2558P](#) [6131-217-1758P](#) [6131-258-1958P](#)
[6131-261-2358P](#) [6131-264-1358P](#) [6134-209-19149](#) [6408-203V-09273](#) [M81714/12-20D-2-LC](#) [D38999/26FJ43SB](#) [87.200.2201.3](#)
[87.210.2204.3](#) [87.210.2211.3](#) [88083-10-6PN](#) [88083-10-6PN-L/C](#) [88083-10-6SN](#) [88083-10-6SN-LC](#) [88083-12-10PN-L/C](#) [88083-14-15SN-LC](#)
[88083-14-15SW-L/C](#) [88083-14-4PN-LC](#) [88083-14-5SN-LC](#) [88083-16-26SN-LC](#) [88083-16-8PN-LC](#) [88083-18-8SN-LC](#) [88083-20-41PN-LC](#)
[1210230271](#) [1210640168](#) [1210641064](#) [S53209NR051](#) [M81714/12-22D-2-LC](#) [TJSE20535](#) [TJSE20551](#) [TJSE20706](#) [YCTJ920E12NC098000](#)
[6131-202-2358P](#) [6131-205-2558P](#) [6131-208-2558P](#) [6131-258-2158P](#) [E162N2N0506R](#) [M81714602001](#) [M817142DA1](#) [C81311N21](#)
[CA3108E16S-1PA206](#) [87.200.2205.3](#) [1210401236](#)