

## General Specifications

### Motor Protection:

Auto Restart/Polarity Protection

### Insulation Resistance:

10M Ω or over with a DC500V Megger

### Dielectric Withstand Voltage: AC 700V 1s

### Allowable Ambient Temperature Range:

-10°C ~ +70°C (Operating) J~Q

-10°C ~ +60°C (Operating) R

-40°C ~ +70°C (Storage) All Class  
(non-condensing environment)

## Expected Life

### Failure Rate: 10%

60°C 40,000 Hours (L10)

## Material

Casing : Plastic (Black) 94V-0

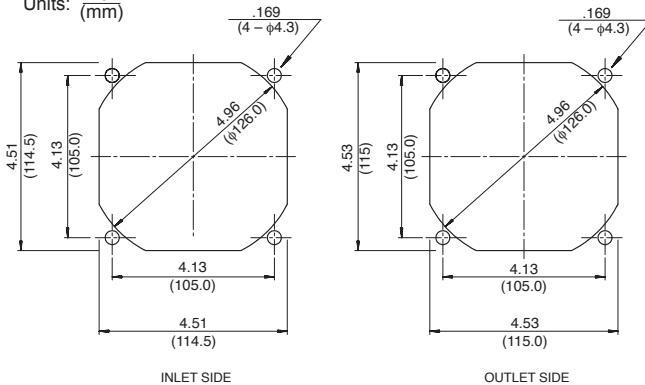
Impeller : Plastic (Black) 94V-0

Bearing : Ball Bearing

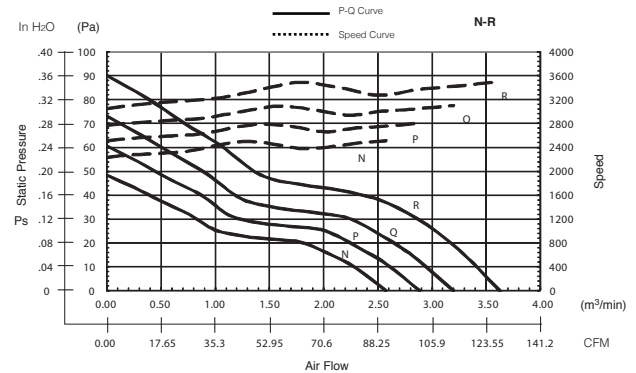
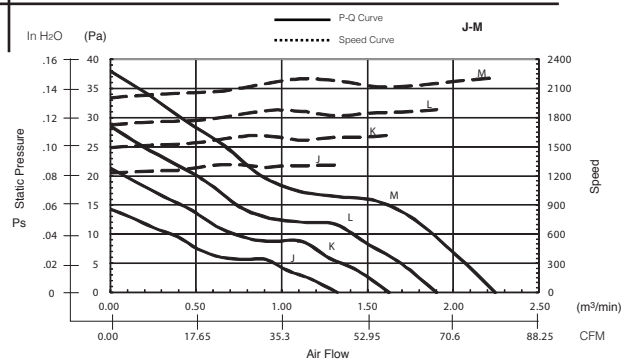
Lead Wire : UL3385, AWG26, +Red, -Black

## Panel Cut-Outs

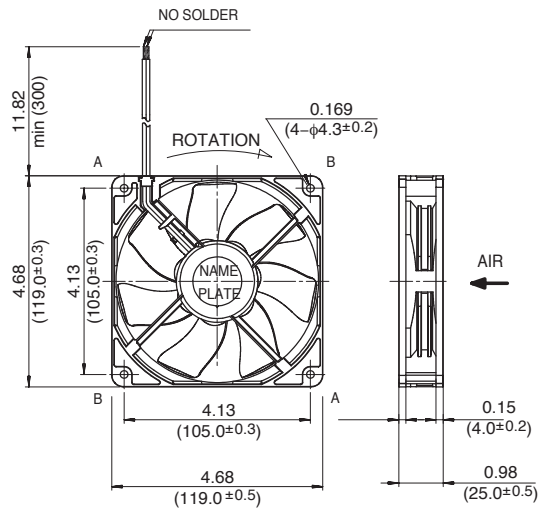
Units:  $\frac{\text{inch}}{\text{mm}}$



## Characteristic Curves



## Outline



## Specifications

| MODEL             | Product No. | Rated Voltage | Operating Voltage | Current           | Input Power       | Speed                              | Max. Air Flow     |                                     | Max. Static Pressure |                    | Noise              | Mass |
|-------------------|-------------|---------------|-------------------|-------------------|-------------------|------------------------------------|-------------------|-------------------------------------|----------------------|--------------------|--------------------|------|
|                   |             | (V)           | (V)               | (A) <sup>*1</sup> | (W) <sup>*1</sup> | (min <sup>-1</sup> ) <sup>*1</sup> | CFM <sup>*1</sup> | (m <sup>3</sup> /min) <sup>*1</sup> | in H <sub>2</sub> O  | (Pa) <sup>*1</sup> | (dB) <sup>*1</sup> | (g)  |
| 11925SA-12J-XX-00 | AA/EA       | 12            | 7.0 ~ 13.8        | 0.05              | 0.60              | 1300                               | 46.9              | 1.33                                | 0.06                 | 14.0               | 20.5               | 140  |
| 11925SA-12K-XX-00 | AA/EA       | 12            | 7.0 ~ 13.8        | 0.09              | 1.08              | 1600                               | 57.5              | 1.63                                | 0.08                 | 21.0               | 26.5               | 140  |
| 11925SA-12L-XX-00 | AA/EA       | 12            | 7.0 ~ 13.8        | 0.13              | 1.56              | 1900                               | 67.1              | 1.90                                | 0.11                 | 28.5               | 30.0               | 140  |
| 11925SA-12M-XX-00 | AA/EA       | 12            | 7.0 ~ 13.8        | 0.16              | 1.92              | 2200                               | 79.4              | 2.25                                | 0.15                 | 38.0               | 33.5               | 140  |
| 11925SA-12N-XX-00 | AA/EA       | 12            | 7.0 ~ 13.8        | 0.24              | 2.88              | 2500                               | 91.1              | 2.58                                | 0.19                 | 48.0               | 37.0               | 140  |
| 11925SA-12P-XX-00 | AA/EA       | 12            | 7.0 ~ 13.8        | 0.33              | 3.96              | 2800                               | 102.0             | 2.89                                | 0.24                 | 60.5               | 40.5               | 140  |
| 11925SA-12Q-XX-00 | AA/EA       | 12            | 7.0 ~ 13.8        | 0.47              | 5.64              | 3100                               | 113.0             | 3.20                                | 0.29                 | 73.0               | 44.0               | 140  |
| 11925SA-12R-XX-00 | AA/EA       | 12            | 7.0 ~ 13.2        | 0.62              | 7.44              | 3500                               | 128.1             | 3.63                                | 0.36                 | 89.0               | 47.0               | 140  |

Rotation: Clockwise

Airflow Outlet: Air Out Over Struts

\*1: Average Values in Free Air

## Specifications

| MODEL             | Product No. | Rated Voltage | Operating Voltage | Current           | Input Power       | Speed                              | Max. Air Flow     |                                     | Max. Static Pressure |                    | Noise              | Mass |
|-------------------|-------------|---------------|-------------------|-------------------|-------------------|------------------------------------|-------------------|-------------------------------------|----------------------|--------------------|--------------------|------|
|                   |             | (V)           | (V)               | (A) <sup>*1</sup> | (W) <sup>*1</sup> | (min <sup>-1</sup> ) <sup>*1</sup> | CFM <sup>*1</sup> | (m <sup>3</sup> /min) <sup>*1</sup> | in H <sub>2</sub> O  | (Pa) <sup>*1</sup> | (dB) <sup>*1</sup> | (g)  |
| 11925SA-24J-XX-00 | AA/EA       | 24            | 12.0 ~ 27.6       | 0.03              | 0.72              | 1300                               | 46.9              | 1.33                                | 0.06                 | 14.0               | 20.5               | 140  |
| 11925SA-24K-XX-00 | AA/EA       | 24            | 12.0 ~ 27.6       | 0.04              | 0.96              | 1600                               | 57.5              | 1.63                                | 0.08                 | 21.0               | 26.5               | 140  |
| 11925SA-24L-XX-00 | AA/EA       | 24            | 12.0 ~ 27.6       | 0.06              | 1.44              | 1900                               | 67.1              | 1.90                                | 0.11                 | 28.5               | 30.0               | 140  |
| 11925SA-24M-XX-00 | AA/EA       | 24            | 12.0 ~ 27.6       | 0.08              | 1.92              | 2200                               | 79.4              | 2.25                                | 0.15                 | 38.0               | 33.5               | 140  |
| 11925SA-24N-XX-00 | AA/EA       | 24            | 12.0 ~ 27.6       | 0.11              | 2.64              | 2500                               | 91.1              | 2.58                                | 0.19                 | 48.0               | 37.0               | 140  |
| 11925SA-24P-XX-00 | AA/EA       | 24            | 12.0 ~ 27.6       | 0.17              | 4.08              | 2800                               | 102.0             | 2.89                                | 0.24                 | 60.5               | 40.5               | 140  |
| 11925SA-24Q-XX-00 | AA/EA       | 24            | 12.0 ~ 27.6       | 0.20              | 4.80              | 3100                               | 113.0             | 3.20                                | 0.29                 | 73.0               | 44.0               | 140  |

Rotation: Clockwise

Airflow Outlet: Air Out Over Struts

\*1: Average Values in Free Air

## X-ON Electronics

Largest Supplier of Electrical and Electronic Components

*Click to view similar products for [DC Fans](#) category:*

*Click to view products by [NMB Technologies](#) manufacturer:*

Other Similar products are found below :

[614R](#) [6424/2HP-210](#) [8312R](#) [DV4118/2NP-183](#) [AFB0948HH-S687](#) [PFB0824DHE-8B72](#) [G2E085-AA05-10](#) [RD20S-4/210660](#) [4318/12T](#)  
[4418HH](#) [AUB0912H-F00](#) [3412N/2ME](#) [K2E225-RA92-09](#) [4184N/2XR](#) [5214N2HH](#) [614J2HHPR-010](#) [8412NGL-12](#) [4114N/12HHR-297](#)  
[4656](#) [ZWR-903](#) [4112N12GL-175](#) [KD2406PKB2.\(2\).GN](#) [AFB1248HHE](#) [AFB1212LE-F00](#) [FAN-SCH-1](#) [MF60151V1-1000U-G99](#)  
[PF80252V1-1000U-G99](#) [PF92252V1-1000U-G99](#) [4112N/2H6P](#) [4114N/17-251](#) [6212NH](#) [622/2N](#) [712F-011](#) [8218J/2NP-181](#) [W1G180-AB47-](#)  
[15](#) [FAA1-12038NBKW31-A](#) [6318N/2TDP](#) [6318N/2H3PU](#) [6318HU](#) [424JMU](#) [PMD1206PTVX-A.U.GN](#) [PF80251B2-000U-F99](#)  
[EF40101BX-1000U-G99](#) [AD1224LB-A71GL](#) [9GA0924L4021](#) [9GA0924M4021](#) [9GA0924M4011](#) [9GA0824B20011](#) [9GA0812A2D0011](#)  
[9GA0912M4D011](#) [9GA0924W4D01](#)