




## Product information ELST 400 RD/12 V Au

Industrial Connecting Solutions: Circular Connectors: M8 - M12 Connectors: M12 Connectors: M12 Circular connector (M12 E-Series): with screw locking: Appliance connector for press-in fit/sensor tube: ELST 400 RD/12 V Au

<http://www.e-catalog.beldensolutions.com/link/57078-24228-256281-256292-256304-24445-24446-24277-36855/en/conf/ui/state>

<b>Name</b>	ELST 400 RD/12 V Au
	
	Appliance connector for M12 sensors, press-in tube mounting, O-ring, anti-twist device, with sealable vent hole
<b>Delivery informations</b>	
<b>Availability</b>	available
<b>Product description</b>	
<b>Description</b>	Appliance connector for M12 sensors, press-in tube mounting, O-ring, anti-twist device, with sealable vent hole
<b>Type</b>	ELST 400 RD/12 V Au
<b>Order No.</b>	933 442-306
<b>Other standard types</b>	tinned contacts, order no. 933 442-406
<b>Type of contact</b>	male
<b>Number of contacts</b>	4
<b>Standard</b>	IEC 61076-2-101 (Ed. 1)/ IEC 60947-5-2
<b>Housing Color</b>	grey
<b>Technical data</b>	
<b>Pin dimensions</b>	1 mm
<b>Rated voltage</b>	AC/DC 150 V
<b>Rated current</b>	4 A
<b>Type of termination</b>	solder, concave pins
<b>Suitable cables</b>	max. 0.5 mm <sup>2</sup>
<b>Material</b>	
<b>Contact material</b>	Cu Zn
<b>Contact surface material</b>	Au
<b>Contact bearer material</b>	PA
<b>O-Ring</b>	NBR
<b>Environmental conditions</b>	
<b>Protection class (IEC 60529)</b>	IP 68
<b>Pollution severity</b>	3
<b>Temperature range</b>	-25 °C to +90 °C
<b>Inflammability class</b>	
<b>Contact bearer</b>	94 V-2
<b>Approvals</b>	
<b>UL</b>	UL
<b>Packing unit</b>	
<b>Packaging unit</b>	100 pieces



# HIRSCHMANN

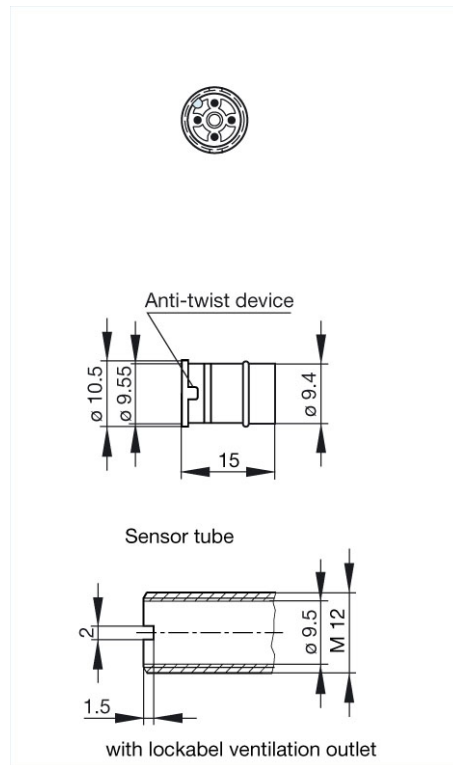
A BELDEN BRAND

Industrial Connecting Solutions: Circular Connectors: M8 - M12 Connectors: M12 Connectors: M12 Circular connector (M12 E-Series)-with screw locking: Appliance connector for press-in fit/sensor tube: ELST 400 RD/12 V Au

<http://www.e-catalog.beldensolutions.com/link/57078-24228-256281-256292-256304-24445-24446-24277-36855/en/conf/ui/state>

Picture

Drawing



#### Belden Deutschland GmbH

Im Gewerbepark 2  
58579 Schalksmühle  
Germany  
Phone: +49 7127/14-1806  
E-Mail: [icos-sales@belden.com](mailto:icos-sales@belden.com)

The information published in the websites has been compiled as carefully as possible. It is subject to alteration without notice in technical as well as in price-related/commercial respect. The complete information and data were available on user documentation. Mandatory information can only be obtained by a concrete query.

## X-ON Electronics

Largest Supplier of Electrical and Electronic Components

*Click to view similar products for [Standard Circular Connector](#) category:*

*Click to view products by [Hirschmann](#) manufacturer:*

Other Similar products are found below :

[C015](#) [10F006](#) [001](#) [1](#) [5M2530B10P](#) [600247N007](#) [600259N006](#) [600273N007](#) [600432N009](#) [6280-2PG-519](#) [6280-3PG-311](#) [6280-3SG-311](#)  
[6280-7SG-3DC](#) [6280-7SG-522](#) [6282-5PG-311](#) [6282-6PG-519](#) [6282-8SG-311](#) [6283-11](#) [6283-15](#) [6290](#) [6293](#) [6382-2PG-311](#) [6382-2PG-3DC](#)  
[6382-2SG-321](#) [6382-2SG-3DC](#) [6382-4SG-516](#) [67-03E20-37P](#) [681-PMG](#) [CXC3106A1811S](#) [CXS3102A14S2P](#) [CXS3102A181S](#)  
[CXS3106A14S6S](#) [D38999/20FC8SA](#) [L/C](#) [MB12P-1](#) [MB12R-6](#) [7251-2PG-300](#) [7251-2SG-300](#) [7251-4PG-300](#) [7251-4SG-300](#) [7251-5PG-300](#)  
[7251-5SG-300](#) [7251-6SG-300](#) [7251-7PG-300](#) [7251-8PG-300](#) [7271-6SG-300](#) [7282-3PG-300-CH3](#) [73000005663](#) [75-190011-03P](#) [75-190216-08S](#) [75-190218-10P](#) [75-214636-52P](#) [75-474118-10P](#) [75-474211-03P](#)