

1 Model No.	Wheel Material	Wheel Type	Wheel mm Diameter	Wheel mm Width	Plate mm Hole Centres A x B	Plate MM Overall C x D	Height mm E	Load Cap. kg	Black Wheel	White Wheel
									Part No.	Part No.
ML140S	Rubber	Swivel	50	25	23.8x54	47.6x66.7	65	40	4200010	-
ML140R	Rubber	Fixed	50	25	23.8x54	47.6x66.7	65	40	4200015	-
ML140-1	Rubber	Swivel & Brake	50	25	23.8x54	47.6x66.7	65	40	4200020	-
ML249S	Rubber	Swivel	64	28	44.5x76.2	66.7x95.2	82.5	45	4200040	-
ML249R	Rubber	Fixed	64	28	27.0x88.1	54.0x111.1	82.5	45	4200045	-
ML249-1	Rubber	Swivel & Brake	64	28	44.5x76.2	66.7x95.2	82.5	45	4200050	-
ML383S	Rubber	Swivel	75	32	60.3x85.4	79.4x104.7	96.8	68	4200070	-
ML383R	Rubber	Fixed	75	32	30.2x 101.6	57.2x130.2	96.8	68	4200075	-
ML383-1	Rubber	Swivel & Brake	75	32	60.3x85.4	79.4x104.7	96.8	68	4200080	-
ML482S	Rubber	Swivel	100	32	76.2x101.6	101.6x129	127	102	4200100	-
ML482R	Rubber	Fixed	100	32	44.5x127	85.6x158.8	127	102	4200105	-
ML482-1	Rubber	Swivel & Brake	100	32	76.2x101.6	101.6x129	127	102	4200110	-
ML126S(W)	PP	Swivel	50	25	23.8x54	47.6x66.7	65	45	4200025	4200026
ML126R(W)	PP	Fixed	50	25	23.8x54	47.6x66.7	65	45	4200030	4200031
ML126-1(W)	PP	Swivel & Brake	50	25	23.8x54	47.6 x 66.7	65	45	4200035	4200036
ML250S(W)	PP	Swivel	60	25	44.5x76.2	66.7x95.2	82.5	72	4200055	4200056
ML250R(W)	PP	Fixed	60	25	27.0x88.1	54.0x111.1	82.5	72	4200060	4200061
ML250-1(W)	PP	Swivel & Brake	60	25	44.5x76.2	66.7x95.2	82.5	72	4200065	4200066
ML384S(W)	PP	Swivel	75	32	60.3 x 85.4	79.4x104.7	96.8	102	4200085	4200086
ML384R(W)	PP	Fixed	75	32	30.2 x 101.6	57.2x130.2	96.8	102	4200090	4200091
ML384-1(W)	PP	Swivel & Brake	75	32	60.3x85.4	79.4x104.7	96.8	102	4200095	4200096
ML483S(W)	PP	Swivel	100	32	76.2 x 101.6	101.6x129	127	136	4200115	4200116
ML483R(W)	PP	Fixed	100	32	44.5 x 127	85.6x158.8	127	136	4200120	4200121
ML483-1(W)	PP	Swivel & Brake	100	32	76.2x101.6	101.6 x 129	127	136	4200125	4200126

This superb range of top quality castors and wheels is ideal for a huge variety of uses either DIY or Industrial.

Suitable for replacement or original fitment, the range includes swivel & fixed options in a wide variety of sizes.

1 General Duty Castors (50-100mm)

- ◆ Strong, cold rolled steel castor frame with zinc finish
- ◆ Rubber or impact resistant polypropylene (PP) wheels
- ◆ Ball bearing race for swivel versions to ensure smooth action
- ◆ White, non-marking nylon castors included in the range.



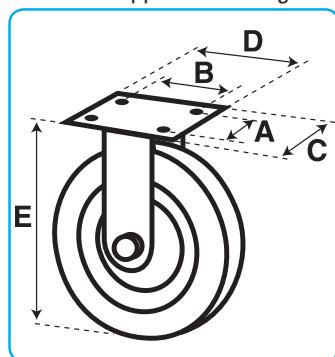
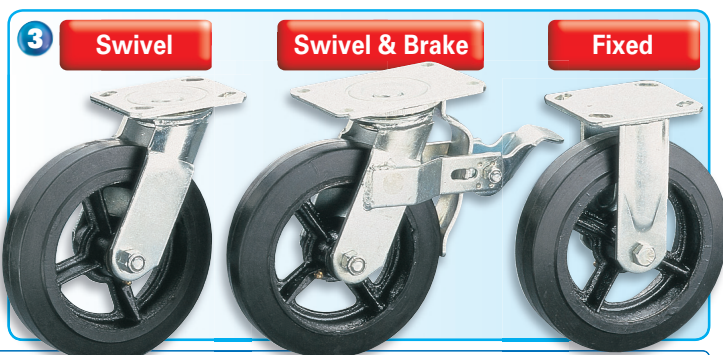
2 Model No.	Wheel Material	Wheel Type	Wheel Dia. mm	Wheel Width mm	Hole Centres Spacing mm A x B	Plate O/A Dim. mm C x D	Overall Height mm E	Load Cap. kg	Part No.
ML819S	Rubber	Swivel	200	59	70x85	100x116	240	150	4200220
ML819R	Rubber	Fixed	200	59	78x130	102x152	240	150	4200225
ML818	Rubber	Swivel & Brake	200	59	78x130	102x152	240	150	4200230

2 Heavy Duty Castors With Rubber Tyres & Steel Hub (200mm)

- ◆ 1/2" diameter axle with lock nut
- ◆ Swivel versions have full double ball bearing, wheel bearing - 3/4" ID split outer race roller bearing
- ◆ Top plate and base made of cold formed steel with zinc finish.

3 Heavy Duty Castors (125-200mm)

- ◆ 1/2" diameter axle with lock nut
- ◆ Swivel versions have full double ball bearing, wheel bearing - 3/4" ID split outer race roller bearing
- ◆ Top plate and base made of cold formed steel, zinc finish
- ◆ Grease nipple for bearing lubrication.



3 Model No.	Wheel Material	Wheel Type	Wheel Dia. mm	Wheel Width mm	Wheel Spacing mm A x B	Hole Centres Dim. mm C x D	Plate O/A Height mm E	Overall Load Cap. kg	Part No.
ML525S	Rubber	Swivel	125	50	70x85	100x116	162	100	4200130
ML525R	Rubber	Fixed	125	50	70x85	100x116	162	100	4200135
ML525-1	Rubber	Swivel & Brake	125	50	70x85	100x116	162	100	4200140
ML601S	Rubber	Swivel	150	50	70x85	100x116	187	113	4200160
ML601R	Rubber	Fixed	150	50	70x85	100x116	187	113	4200165
ML611	Rubber	Swivel & Brake	150	50	78x130	102x152	187	113	4200170
ML814S	Rubber	Swivel	200	50	70x85	100x116	235	113	4200190
ML814R	Rubber	Fixed	200	50	70x85	100x116	235	113	4200195
ML815	Rubber	Swivel & Brake	200	50	78x130	102x152	235	113	4200200

X-ON Electronics

Largest Supplier of Electrical and Electronic Components

Click to view similar products for [clare manufacturer](#):

Other Similar products are found below :

[CHT742](#) [PS2401](#) [LCB110](#) [LCA110](#)