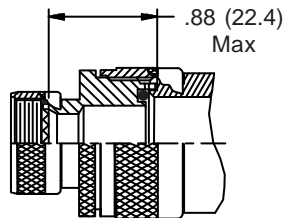
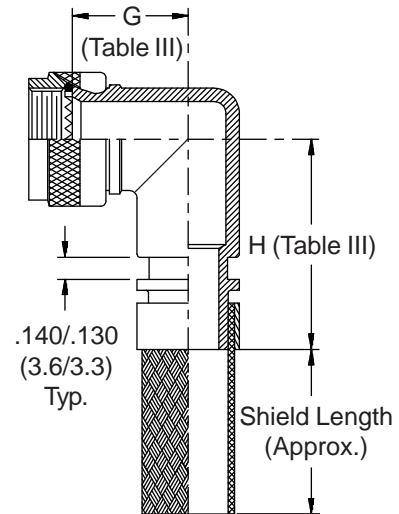
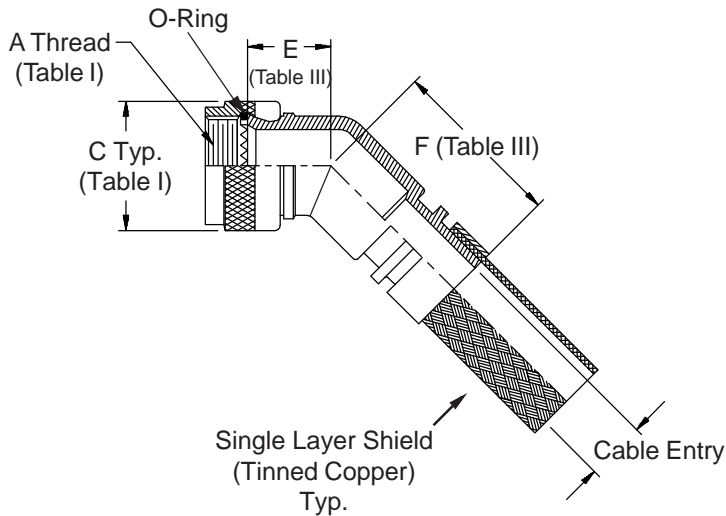
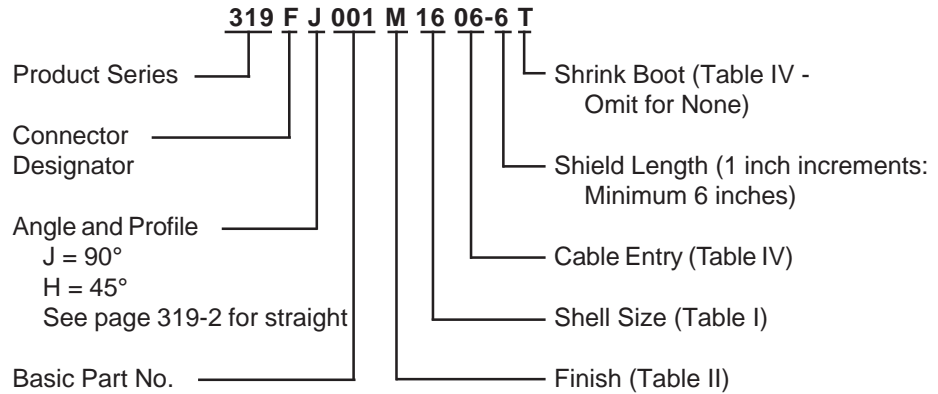


**CONNECTOR
 DESIGNATORS
 A-F-H-L-S
 ROTATABLE
 COUPLING**



STYLE 2
 (45° & 90°
 See Note 5)

-445 Now Available with the "NESTOR"

Glenair's Non-Detent, Spring-Loaded, Self-Locking Coupling.
 Add "-445" to Specify This AS85049 Style "N" Coupling Interface.

319-001
EMI/RFI Shield Sock Shrink Boot Adapter
with Optional Shrink Boot
Standard Profile - Rotatable Coupling



See inside back cover fold-out or pages 13 and 14 for unabridged Tables I and II.

| TABLE III: DIMENSIONS | | | | | | | | | |
|-----------------------|----|-------|--------|-------|--------|-------|--------|-------|--------|
| Shell Size | | E | | F | | G | | H | |
| Conn. Desig. | H | Max | | Max | | Max | | Max | |
| A-F-L-S | | | | | | | | | |
| 08 | 09 | .830 | (21.1) | 1.045 | (26.5) | .940 | (23.9) | 1.155 | (29.3) |
| 10 | 11 | .860 | (21.8) | 1.075 | (27.3) | 1.010 | (25.7) | 1.225 | (31.1) |
| 12 | 13 | .882 | (22.4) | 1.097 | (27.9) | 1.070 | (27.2) | 1.285 | (32.6) |
| 14 | 15 | .900 | (22.9) | 1.125 | (28.6) | 1.130 | (28.7) | 1.345 | (34.2) |
| 16 | 17 | .930 | (23.6) | 1.145 | (29.1) | 1.190 | (30.2) | 1.405 | (35.7) |
| 18 | 19 | .950 | (24.1) | 1.165 | (29.6) | 1.240 | (31.5) | 1.455 | (37.0) |
| 20 | 21 | .980 | (24.9) | 1.195 | (30.4) | 1.310 | (33.3) | 1.525 | (38.7) |
| 22 | 23 | 1.000 | (25.4) | 1.215 | (30.9) | 1.360 | (34.5) | 1.575 | (40.0) |
| 24 | 25 | 1.030 | (26.2) | 1.245 | (31.6) | 1.430 | (36.3) | 1.645 | (41.8) |

| TABLE IV: CABLE ENTRY/SHRINK BOOT | | |
|-----------------------------------|--------------|-------------|
| Dash No. | Cable Entry | Shrink Boot |
| 01 | .188 (4.8) | n/a |
| 02 | .250 (6.4) | n/a |
| 03 | .312 (7.9) | 770-001S103 |
| 04 | .375 (9.5) | 770-001S103 |
| 05 | .438 (11.1) | 770-001S103 |
| 06 | .500 (12.7) | 770-001S104 |
| 07 | .562 (14.3) | 770-001S104 |
| 08 | .625 (15.9) | 770-001S104 |
| 09 | .688 (17.5) | 770-001S105 |
| 10 | .750 (19.1) | 770-001S105 |
| 11 | .812 (20.6) | 770-001S105 |
| 12 | .875 (22.2) | 770-001S106 |
| 13 | .938 (23.8) | 770-001S106 |
| 14 | 1.000 (25.4) | 770-001S106 |
| 15 | 1.250 (31.8) | 770-001S107 |
| 16 | 1.500 (38.1) | 770-001S108 |
| 17 | 1.750 (44.5) | n/a |
| 18 | 2.000 (50.8) | n/a |
| 19 | 1.125 (28.6) | n/a |
| 20 | 1.375 (34.9) | n/a |
| 21 | 1.625 (41.3) | n/a |
| 22 | 1.062 (27.0) | n/a |
| 23 | 1.188 (30.2) | n/a |
| 24 | 1.875 (47.6) | n/a |

1. Cable Entry is defined as the accommodation range for the wire bundle or cable. Dimensions shown are not intended for inspection criteria.
2. See Shrink Boot Reference Information (page 40).
3. Metric dimensions (mm) are indicated in parentheses.
4. O-Ring not supplied with Connector Designator A.
5. When maximum entry (page 21) is exceeded, Style 2 will be supplied. Dimensions E, F, G, & H will not apply. Please consult factory.

| TABLE II: STANDARD FINISHES | |
|--|---|
| GLENAIR SYMBOL | FINISH |
| B | Cadmium Plate, Olive Drab |
| M | Electroless Nickel |
| NF | Cadmium Plate, Olive Drab Over Electroless Nickel |
| See Back Cover for Complete Finish Information and Additional Finish Options | |

X-ON Electronics

Largest Supplier of Electrical and Electronic Components

Click to view similar products for [Heat Shrink Cable Boots & End Caps](#) category:

Click to view products by [Glenair](#) manufacturer:

Other Similar products are found below :

[577159N001](#) [007758-000](#) [610368N003](#) [645494-000](#) [M85049/141-02HU](#) [M85049/141-03HU](#) [M85049/141-04HU](#) [687025-000](#) [705331-000](#)
[718446-000](#) [725666N001](#) [729257-000](#) [F21914-000](#) [F27131-000](#) [F85868-000](#) [770-006A103R](#) [770-006A304W1](#) [770-006A305W1](#) [770-](#)
[006A308W1](#) [770-011T303W1](#) [770-011T304W1](#) [770-020S702W1](#) [770-020S704W1](#) [806138-000](#) [806542N001](#) [807507-000](#) [808059-000](#)
[808296-000](#) [808362-000](#) [808828-000](#) [809125-000](#) [809130-000](#) [809218-000](#) [811218-000](#) [811288-000](#) [812014-000](#) [812047-000](#) [813166-000](#)
[813767N002](#) [814417-000](#) [819115N001](#) [819117N001](#) [823026-000](#) [823070-000](#) [825002-000](#) [841189N001](#) [861471-000](#) [866647-000](#) [937577-](#)
[000](#) [950764-000](#)