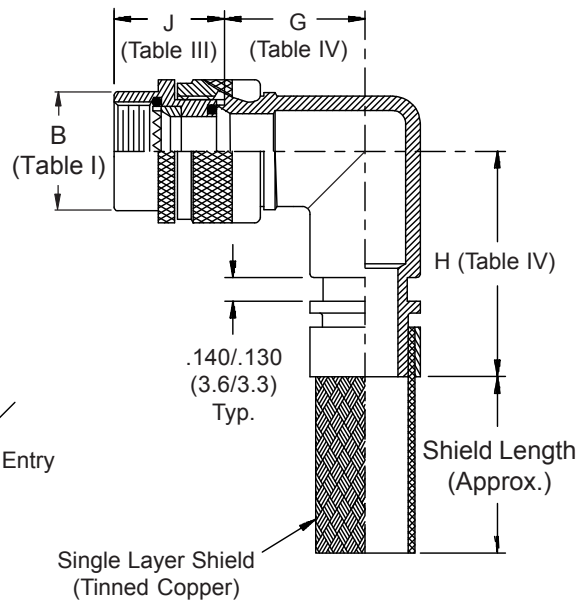
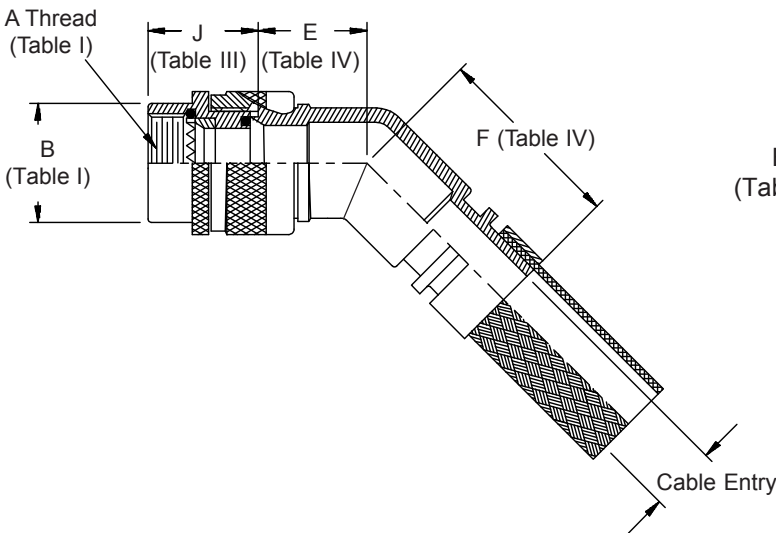
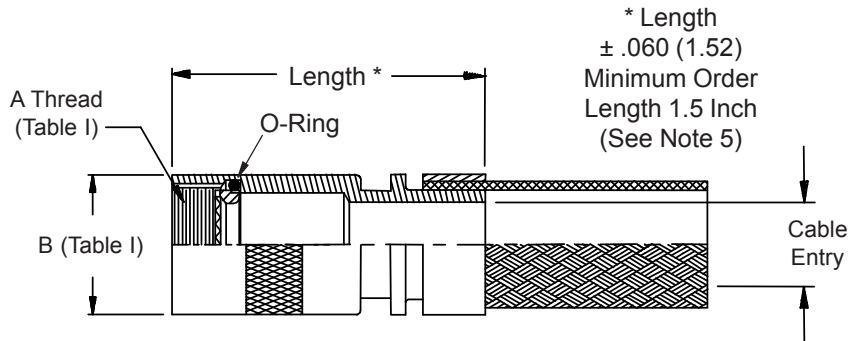
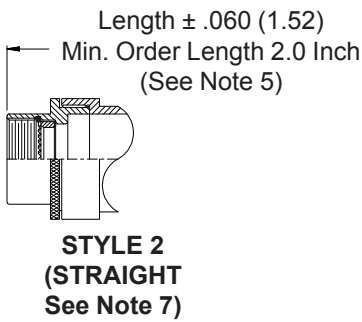
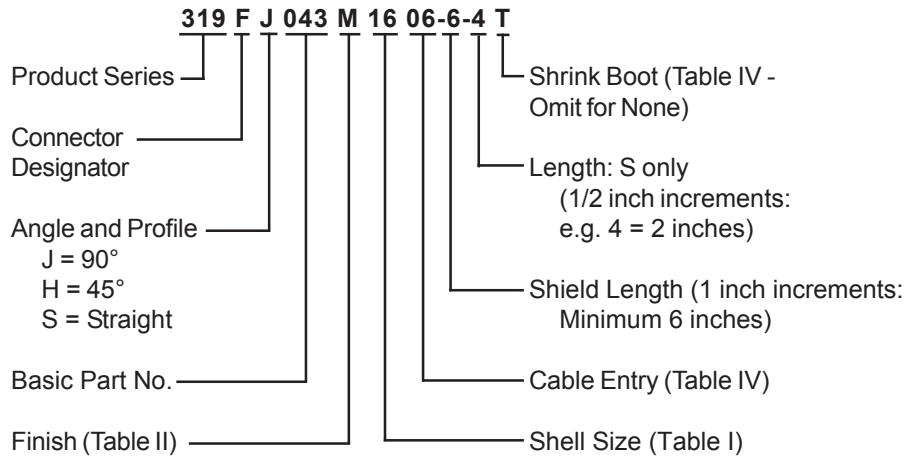


CONNECTOR DESIGNATORS
A-B*-C-D-E-F
G-H-J-K-L-S
 * Conn. Desig. B See Note 6
DIRECT COUPLING



319-043
EMI/RFI Shield Sock Shrink Boot Adapter
 with Optional Shrink Boot
 Standard Profile - Direct Coupling



See inside back cover fold-out or pages 13 and 14 for unabridged Tables I and II.

TABLE III: FRONT ADAPTER			
Shell Size	J Max - Conn. Designator		
	A-E-F		
	J-H-L-S	D-B-G-K	C
08/09	1.180 (30.0)	1.250 (31.8)	
10/11	1.180 (30.0)	1.250 (31.8)	
12/13	1.180 (30.0)	1.250 (31.8)	1.735 (44.1)
14/15	1.180 (30.0)	1.250 (31.8)	1.915 (48.6)
16/17	1.380 (35.0)	1.560 (39.6)	1.915 (48.6)
18/19	1.380 (35.0)	1.560 (39.6)	1.915 (48.6)
20/21	1.380 (35.0)	1.560 (39.6)	1.915 (48.6)
22/23	1.380 (35.0)	1.560 (39.6)	1.915 (48.6)
24/25	1.380 (35.0)	1.560 (39.6)	1.915 (48.6)
28/29	1.610 (40.9)	1.560 (39.6)	1.915 (48.6)
32/33	1.610 (40.9)	1.750 (44.5)	1.915 (48.6)
36	1.610 (40.9)	1.750 (44.5)	1.915 (48.6)
40	1.610 (40.9)	2.190 (55.6)	1.915 (48.6)

TABLE V: CABLE ENTRY SHRINK BOOT			
Dash No.	Cable Entry	Shrink Boot	
01	.188 (4.8)	n/a	
02	.250 (6.4)	n/a	
03	.312 (7.9)	770-001S103	
04	.375 (9.5)	770-001S103	
05	.438 (11.1)	770-001S103	
06	.500 (12.7)	770-001S104	
07	.562 (14.3)	770-001S104	
08	.625 (15.9)	770-001S104	
09	.688 (17.5)	770-001S105	
10	.750 (19.1)	770-001S105	
11	.812 (20.6)	770-001S105	
12	.875 (22.2)	770-001S106	
13	.938 (23.8)	770-001S106	
14	1.000 (25.4)	770-001S106	
15	1.250 (31.8)	770-001S107	
16	1.500 (38.1)	770-001S108	
17	1.750 (44.5)	n/a	
18	2.000 (50.8)	n/a	
19	1.125 (28.6)	n/a	
20	1.375 (34.9)	n/a	
21	1.625 (41.3)	n/a	
22	1.062 (27.0)	n/a	
23	1.188 (30.2)	n/a	
24	1.875 (47.6)	n/a	

TABLE IV: DIMENSIONS					
Dash No.	E Max	F Max	G Max	H Max	
01	.639 (16.2)	.952 (24.2)	.750 (19.1)	1.062 (27.0)	
02	.664 (16.9)	.982 (24.9)	.810 (20.6)	1.122 (28.5)	
03	.688 (17.5)	1.002 (25.5)	.870 (22.1)	1.182 (30.0)	
04	.688 (17.5)	1.002 (25.5)	.870 (22.1)	1.182 (30.0)	
05	.705 (17.9)	1.032 (26.2)	.920 (23.4)	1.252 (31.8)	
06	.705 (17.9)	1.032 (26.2)	.920 (23.4)	1.252 (31.8)	
07	.732 (18.6)	1.052 (26.7)	.980 (24.9)	1.312 (33.3)	
08	.732 (18.6)	1.052 (26.7)	.980 (24.9)	1.312 (33.3)	
09	.748 (19.0)	1.062 (27.0)	1.020 (25.9)	1.332 (33.8)	
10	.773 (19.6)	1.082 (27.5)	1.080 (27.4)	1.392 (35.4)	
11	.773 (19.6)	1.082 (27.5)	1.080 (27.4)	1.392 (35.4)	
12	.800 (20.3)	1.122 (28.5)	1.140 (29.0)	1.472 (37.4)	
13	.800 (20.3)	1.122 (28.5)	1.140 (29.0)	1.472 (37.4)	
14	.823 (20.9)	1.152 (29.3)	1.200 (30.5)	1.542 (39.2)	
15	1.041 (26.4)	1.322 (33.6)	1.480 (37.6)	1.782 (45.3)	
16	1.092 (27.7)	1.362 (34.6)	1.610 (40.9)	1.872 (47.5)	
17	1.138 (28.9)	1.412 (35.9)	1.720 (43.7)	1.982 (50.3)	
18	1.184 (30.1)	1.452 (36.9)	1.830 (46.5)	2.092 (53.1)	
19	.823 (20.9)	1.152 (29.3)	1.200 (30.5)	1.542 (39.2)	
20	1.041 (26.4)	1.322 (33.6)	1.480 (37.6)	1.780 (45.2)	
21	1.092 (27.7)	1.362 (34.6)	1.610 (40.9)	1.872 (47.5)	

TABLE II: STANDARD FINISHES	
GLENAIR SYMBOL	FINISH
B	Cadmium Plate, Olive Drab
M	Electroless Nickel
NF	Cadmium Plate, Olive Drab Over Electroless Nickel

See Back Cover for Complete Finish Information and Additional Finish Options

- Cable Entry or range is defined as the accomodation range for the wire bundle or cable. Dimensions shown are not intended for inspection criteria.
- See Shrink Boot Reference Information (page 40).
- Metric dimensions (mm) are indicated in parentheses.
- O-Ring not supplied with Connector Designator A.
- Consult factory for shorter lengths on straight backshells.
- When using Connector Designator B refer to pages 18 and 19 for part number development.
- When maximum cable entry (page 22) is exceeded, Style 2 will be supplied. (Function S only.)

X-ON Electronics

Largest Supplier of Electrical and Electronic Components

Click to view similar products for [Circular MIL Spec Strain Reliefs & Adapters](#) category:

Click to view products by [Glenair](#) manufacturer:

Other Similar products are found below :

[896227-000](#) [899170S004](#) [6000-063-0022](#) [613751-000](#) [CS6624-000](#) [620AB038Z136](#) [620AS001Z108](#) [620AS038Z112](#) [620AS038Z120](#)
[620AS038Z132](#) [620FB038NF08](#) [620HA038NF13](#) [620HA038NF25](#) [620HA042XM13](#) [620HB049NF17](#) [620HS011NF21](#) [620HS038NF11](#)
[620HS038Z121](#) [620HS042XM19](#) [620HS042XM25](#) [620HS042XW13](#) [620HS048B17](#) [620MS064NF09](#) [620MS064NF12](#) [620MS065M12](#)
[620MS065Z107](#) [620MS065ZNU06](#) [630J041M06H](#) [630J041M20H](#) [637S010NF0212H](#) [640830-000](#) [659943-000](#) [66241-10A](#) [CW0597-000](#)
[CW0598-000](#) [CW0948-000](#) [CY0122-000](#) [M85049/41-6A W/B](#) [M85049/42-12DS](#) [M85049/47N8](#) [M85049/47W18](#) [M85049/51-1-14S](#)
[M85049/51-1-8W](#) [M85049/51S16S](#) [M85049/60-1N16](#) [M85049/60-2G12W](#) [M85049/69-11N](#) [CZ3661-000](#) [D02922-000](#) [70.360.1628.0](#)