

ATTRACTIVE AND RUGGED FOR WET AND DUSTY ENVIRONMENTS

The OTTO K3 series is a quality, precision switch designed to comply with standards established for appliance, marine (ignition protection) and off-road vehicles along with other demanding applications where rugged rocker switches are required.

K3 series sealed rocker switches snap into industry-standard panel cutouts. Choose illuminated and printed legends, thru-panel drain option, and switching compatibility from low level to 20 amps.

The K3 series offers a choice of LED, incandescent and neon illumination. Legends can be stamped onto a non-illuminated button, stamped onto an illuminated lens, or laser etched into the lens and backlit.

Available in standard and low level contact ratings, the K3 rockers will fit a wide range of applications. Expect a minimum of 25,000 cycles at a full rated load of 20 amps resistive or 15 amps inductive. 100,000 cycles are possible at low level loads. A full complement of switch operation is available including momentary and maintained action in 2- or 3-position switches in SPST, SPDT, SPTT, DPST, and DPDT circuit arrangements.

OTTO can provide custom colors upon request. Value-added assemblies with wire leads are also available. Please consult the factory for assistance.

## Quality Features:

- Submersible, sealed watertight per IP68
- Snap-in panel mounting into industry standard panel cutout
- Optional panel seal gasket
- Thru-panel drain option
- LED, neon and incandescent lighting
- .250" Q.C. terminals
- Optional one-piece connector
- Optional terminal barriers
- Low level to 20 amp switch



### Standard Characteristics/Ratings:

#### OPERATIONAL:

<b>Mechanical Life:</b>	100,000 cycles, minimum
<b>Seal:</b>	Watertight. Submersible to IP68
<b>Operating Temperature Range:</b>	-40°C to +85°C
<b>Button/Case:</b>	Thermoplastic.
<b>Mounting:</b>	Snap-In from front into industry standard panel cutout
<b>Contacts:</b>	Silver Alloy. Gold flash for low level
<b>Terminals:</b>	Brass 1/4" Q.C. Standard
<b>Light Source:</b>	6V, 12V, 24V Incandescent; 125V, 250V Neon; 2V, 6V, 12V, 24V red, green, amber LED

#### ELECTRICAL:

LOAD Type	CURRENT RATING		LIFE (Min.)
	12V & 28V	110VAC	
Resistive	20A	16A	25,000 cycles
Inductive	15A	15A	25,000 cycles
Lamp	5A	5A	25,000 cycles
<b>Motor Load:</b>	1/2 HP at 110 VAC		
<b>Dielectric Withstand:</b>	1050 Vrms except across light terminals		

#### Compliance Standards (Pending):

EN61508-1 for appliance switches  
 UL 1054 for special use switches  
 UL 1500 for ignition protection of marine products  
 SAE J1455 for heavy duty trucks

# SEALED, ILLUMINATED ROCKER SWITCHES

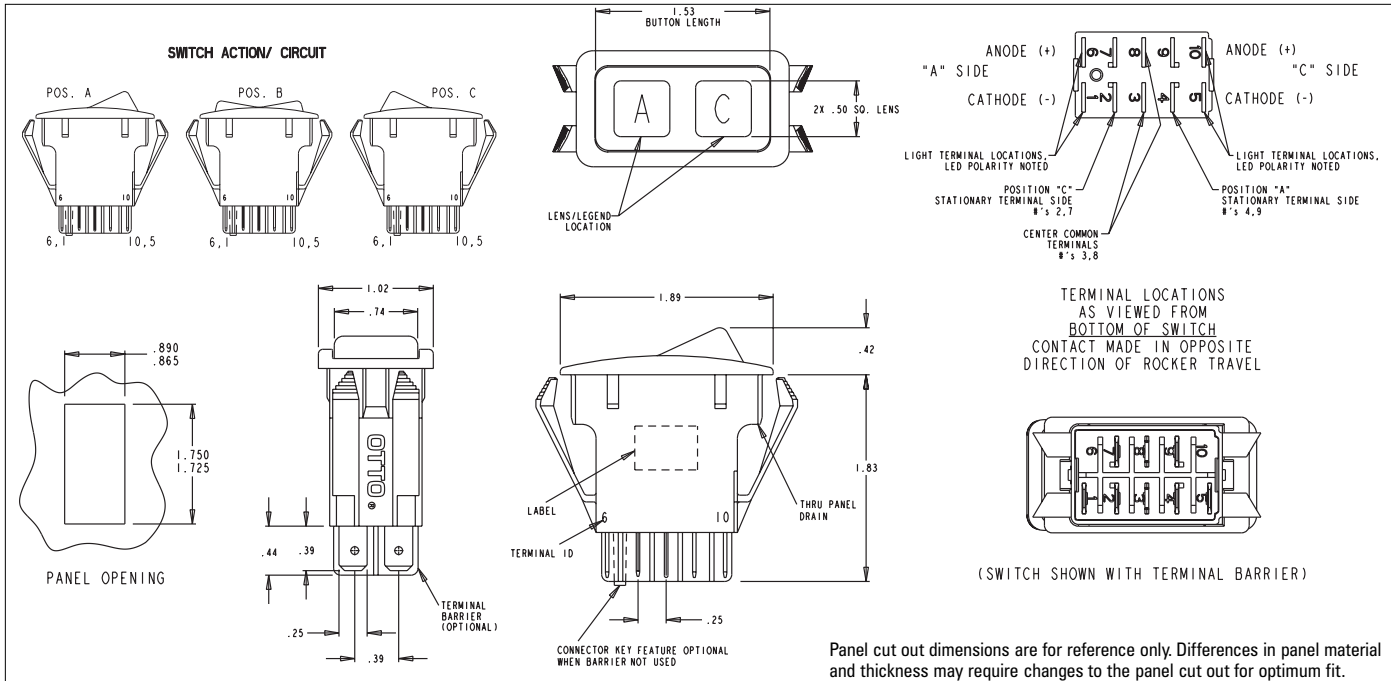
## SNAP-IN PANEL MOUNTING

### Standard Legends Per SAE Specifications

A1	 ANCHOR	K2	 UNLOCK	P5	 BILGE BLOWER
B1	 BATTERY	L1	 LIGHT	R1	 LIFT
B2	 ELECTRIC POWER	L2	 MASTER LIGHTING SWITCH	R2	 LOWER
C1	 AC/COOLING SYSTEMS	L3	 HEADLIGHTS	R3	 UP
C2	 DEHUMIDIFIER	L4	 HEADLIGHTS-LOW / DIPPED BEAM	R4	 DOWN
C3	 HEATER/INTERIOR HEATING	L5	 HEADLIGHTS-HIGH / UPPER BEAM	R5	 RIGHT
D1	 WINDSHIELD DEFROSTER	L6	 PARKING LIGHT	R6	 LEFT
D2	 REAR WINDOW DEFROSTER	L7	 WORK LAMP	R7	FWD FORWARD
D3	 MIRROR DEFROSTER	L8	 WORK LAMP	R8	REV REVERSE
E1	 ENGINE/START	L9	 INTERIOR DOME LIGHT	S1	 RADIO
E2	 ENGINE/STOP	M1	 BEACON	S2	 MUTE
E3	ON/START	M2	 HAZARD/POSITION LIGHTS	T1	 FAST
E4	○ OFF/STOP	M3	 CLEARANCE LIGHTS	T2	 SLOW
E5	ON ON	M4	 SIDE MARKER LIGHT	T3	 TRIM TAB / TRIMMING OPERATION
E6	OFF OFF	M5	 RUNNING LIGHTS (UNDER POWER)	T4	 TRANSMISSION
E7	 ENGINE ELECTRIC PREHEAT	M6	 ANCHOR LIGHT	V1	 VENTILATING / AC FAN
E8	 ENGINE-GAS INJECTION	M7	 RUNNING/ANCHOR LIGHTS	W1	 WINDSHIELD WIPER
F1	 FRONT FOG LIGHTS	M8	 SEARCH LIGHT	W2	 WINDSHIELD-WASHER
F2	 REAR FOG LIGHTS	M9	 LEFT TURN SIGNAL	W3	 WINDSHIELD-WASHER/WIPER
G1	 FUEL	MA	 RIGHT TURN SIGNAL	W4	 REAR WINDOW WIPER
H1	 HORN	P1	 BILGE PUMP #1	W5	 REAR WINDOW-WASHER
H2	 HORN REAR	P2	 BILGE PUMP #2	W6	 REAR WINDOW-WASHER/WIPER
K1	 LOCK	P3	 BILGE PUMP #3	ZZ	NO LEGEND
		P4	 BILGE PUMP		

For legends not shown, please consult an OTTO representative.

## SNAP-IN PANEL MOUNTING



## K3 Series PART

K3      X      X      XX      X      X

Terminal Style/ Switch Rating/Plating	Bezel and Actuator Color and Case Style	Code	Switch Action/Circuit			Light Source Type	Light Circuit
			Position "A"	Position "B"	Position "C"		
A. Without Terminal Barriers/ Standard Rating/Silver Plating	A. Black Rocker and Bezel with Drain Holes	1A	ON	NONE	OFF	SPST	A. No Light
B. Without Terminal Barriers & Connector Keying Pin/ Standard Rating/Silver Plating	B. Black Rocker and Bezel without Drain Holes	1B	ON	NONE	ON	SPDT	B. Dep. in "A"
C. With Terminal Barriers/ Standard Rating/Silver Plating	C. Red Rocker and Bezel with Drain Holes	1C	MOM-ON	NONE	OFF	SPST	C. Dep. in "C"
D. Without Terminal Barriers/ Low Level Rating/Gold Plating	D. Red Rocker and Bezel without Drain Holes	1D	MOM-ON	NONE	ON	SPDT	D. Ind. in "A"
E. Without Terminal Barriers & Connector Keying Pin/Low Level Rating/Gold Plating	E. White Rocker and Bezel with Drain Holes	1E	MOM-ON	OFF	MOM-ON	SPDT	E. Ind. in "C"
F. With Terminal Barriers/Low Level Rating/Gold Plating	F. White Rocker and Bezel without Drain Holes	1F	ON	OFF	ON	SPDT	F. Dep. in "A" & "C"
G. Without Terminal Barriers/ Standard Rating/No Plating		1G	ON	OFF	ON	DPDT	G. Dep. in "A" & Ind. in "C"
H. Without Terminal Barriers & Connector Pin/Standard Rating/ No Plating		1H	MOM-ON	OFF	ON	SPDT	H. Ind. in "A" & Dep. in "C"
J. With Terminal Barriers/Standard Rating/No Plating		1J	MOM-ON	OFF	ON	DPDT	J. Ind. in "A" & "C"
		1K	ON	ON	OFF	SPDT	
		1L	ON	ON	NONE	SPDT	
		1M	ON	ON	ON	DPDT	
		1N	ON	ON	ON	SPDT	
		1P	ON	ON	ON	SPDT	
		1Q	ON	ON	ON	SPDT	
		1R	ON	ON	ON	SPDT	
		1S	ON	ON	ON	SPDT	
		1T	ON	ON	ON	SPDT	
		2A	ON	NONE	OFF	DPST	
		2B	ON	NONE	ON	DPDT	
		2C	MOM-ON	NONE	OFF	DPST	
		2D	MOM-ON	NONE	ON	DPDT	
		2E	MOM-ON	OFF	MOM-ON	DPDT	
		2F	ON	OFF	ON	SPDT	
		2G	MOM-ON	OFF	ON	DPDT	
		2H	ON	ON	OFF	SPDT	
		2J	ON	ON	NONE	SPDT	
		2K	ON	ON	NONE	DPDT	
		2L	MOM-ON	ON	NONE	DPDT	
		2M	ON	ON	ON	SPTT	
		2N	MOM-ON	ON	ON	SPTT	
		2P	MOM-ON	ON	MOM-ON	SPTT	
		2R	ON/ON	OFF/ON	OFF/OFF	DPDT	
		2S	MOM-ON/ON	OFF/ON	OFF/OFF	DPDT	

NOTE: Silver Plating for Soldering

**Stop Here** for unlighted switches without legends. The switch you have specified will be supplied with a rocker button without lenses and without legends. Example: K3AA1FAA

# SEALED, ILLUMINATED ROCKER SWITCHES

ATTRACTIVE AND RUGGED FOR WET & DUSTY ENVIRONMENTS

## Part Numbering Example:

K3DB1ENJ-21T1T2994

### Switch Description

K3 rocker switch

for low level switching, without terminal barriers

featuring a black rocker and bezel without drain holes

in a SPDT, Mom On – Off – Mom On circuit arrangement

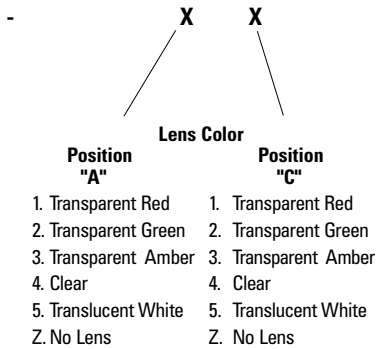
with 12VDC red LEDs

lit independently in both positions

### Switch Description

- K3
  - D
  - B
  - 1E
  - N
  - J
  - 
  - 2
  - 1
  - T1
  - T2
  - 9
  - 9
  - 4
- Green lens in Position A and a Red lens in Position C are respectively pad-printed with Rabbit Legend in Position A Turtle legend in Position B both in white with the legends rotated 270° so that the switch can be mounted in the panel vertically with the Rabbit at the top of the switch

## NUMBERING CODE

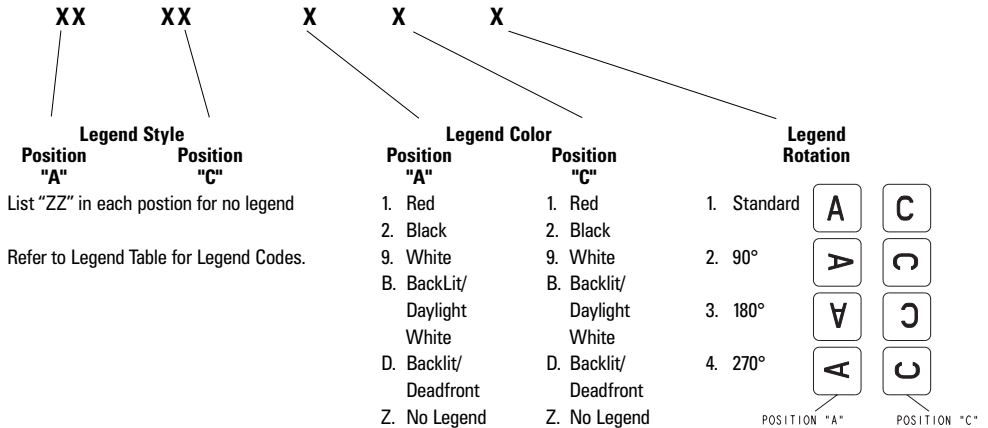


\* Use with neon lamps

**Stop Here** for lighted switches without legends. The switch you have specified will be supplied with a rocker button with lenses, but without legends.  
Example: K3AAIFNH-44

### Note

It is not recommended to use green LEDs with translucent white lenses. This will reduce light intensity.



**Connector:** Part Number 801775-2A without latches.  
Part Number 801775-2B with latches.

**Panel Seal Gasket:** Part Number 807037.  
*Order separately for use with switches without drain holes.*

**Panel Plug:** Part Number K300000040.

## **X-ON Electronics**

Largest Supplier of Electrical and Electronic Components

*Click to view similar products for [Switch Hardware](#) category:*

*Click to view products by [OTTO](#) manufacturer:*

Other Similar products are found below :

[893102000](#) [LZZ1A](#) [0098.9234](#) [61-9707.7](#) [61-9771.0](#) [M2PA-5011](#) [635401](#) [6PA104](#) [6PA113](#) [6PA147-E6](#) [6PA148-E6](#) [6PA32](#) [6PA9](#) [700106](#)  
[700109](#) [700201A56](#) [700303A56](#) [700701264](#) [700C1GRY](#) [700C2GRN](#) [704-6001](#) [704.960.4](#) [704.960.9](#) [704.965.1](#) [704.965.2](#) [704.965.6](#)  
[704.966.0](#) [7089-3](#) [71M1048](#) [757200264](#) [778000A56](#) [79215938](#) [MHU35](#) [MHU37](#) [825.003.011](#) [825.005.011](#) [825.053.011](#) [825.055.011](#)  
[826.000.071](#) [827.020.011](#) [827.400.021](#) [835.900.023](#) [MML52C10C](#) [MML52E10C](#) [MML72EEK](#) [MML92HGH](#) [MML93K](#) [84211M02CNNS](#)  
[84211M02LGRS](#) [84211M02LNNX3](#)