




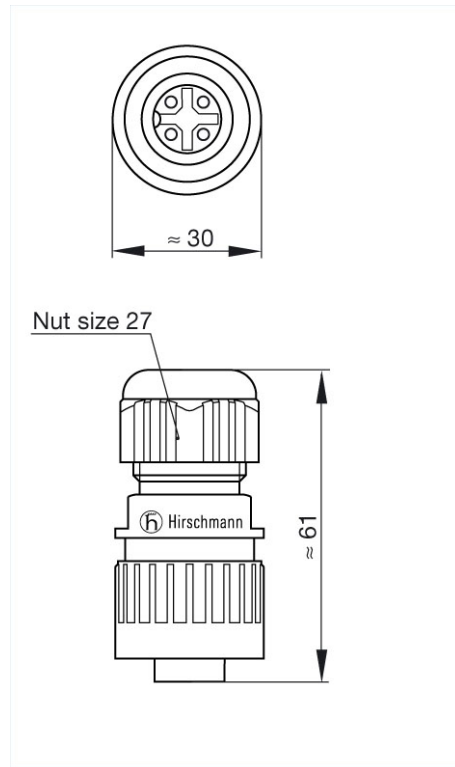
Product information CA 3 LD

Industrial Connecting Solutions: Circular Connectors: MIL, DIN, Universal Connectors: Signal and Power (CA series): Cable socket and panel-mounted socket: CA 3 LD

<http://www.e-catalog.beldensolutions.com/link/57078-24228-256281-256284-24359-24360-36070/en/conf/ui/state>

| | |
|--|---|
| Name | CA 3 LD |
| |  |
| | Straight cable socket, integrated strain relief |
| Delivery informations | |
| Availability | available |
| Product description | |
| Description | Straight cable socket, integrated strain relief |
| Type | CA 3 LD |
| Order No. | 934 125-100 |
| Number of contacts | 3 + PE |
| Cable gland | M 22x2 |
| Cable diameter | 6 mm to 12 mm |
| Conductor size | max. 2.5 mm ² |
| Housing Color | black |
| Technical data | |
| Pin dimensions | 2 mm |
| Rated voltage | AC 400 V / DC 250 V |
| Rated current | DC 10 A / AC 16 A |
| Contact resistance | <= 3 mOhm |
| Type of termination | screw |
| Material | |
| Contact surface material | Ag |
| Contact bearer material | PA 66-GF 25 |
| Housing material | PA 66-GF 25 |
| O-Ring | NBR |
| Environmental conditions | |
| Protection class (IEC 60529) | IP 67 |
| Pollution severity | 3 |
| Temperature range | -40 °C to +90 °C |
| Inflammability class | |
| Flammability, UL standard | 94 V-0 |
| Approvals | |
| UL | UL |
| VDE | VDE |
| Packaging unit | |
| Packaging unit | 100 pieces |
| Scope of delivery and accessories | |
| Scope of delivery | 1 cable socket, not assembled, assembly instructions |
| Accessories to order separately | can be plugged into CA 3 LS, CA 3 GS; cap CA 00 SD 3, order no. 831 532-400 |

Picture
Drawing



Belden Deutschland GmbH
Im Gewerbepark 2
58579 Schalksmühle
Germany
Phone: +49 7127/14-1806
E-Mail: icos-sales@belden.com

The information published in the websites has been compiled as carefully as possible. It is subject to alteration without notice in technical as well as in price-related/commercial respect. The complete information and data were available on user documentation. Mandatory information can only be obtained by a concrete query.

X-ON Electronics

Largest Supplier of Electrical and Electronic Components

Click to view similar products for [Circular MIL Spec Connector](#) category:

Click to view products by [Hirschmann](#) manufacturer:

Other Similar products are found below :

[89075GULPR](#) [0025-262-542](#) [0025-264-3014](#) [58-570121-04S](#) [0134-213-1208](#) [0134-213-2209](#) [0025-258-000](#) [60-042022-07P](#) [60-042022-19P](#)
[60-042022-23P](#) [60-042217-10P](#) [0114-201-1278](#) [012-0467-000](#) [602GB06EG24-61SN](#) [0134-201-1207](#) [0134-213-1006](#) [6104-207-2302](#) [6104-](#)
[208-1902](#) [61-168211-04P](#) [61-168617-10P](#) [6131-202-19149P](#) [6131-204-21149P](#) [6131-208-13149P](#) [6131-209-17149P](#) [6131-210-11149P](#) [6131-](#)
[211-19149P](#) [6131-216-19149P](#) [6131-259-21149P](#) [6131-259-23149P](#) [6131-265-17149P](#) [6131-265-19149P](#) [CS3100A18-1P-472](#) [CS3100A-36-](#)
[77P](#) [CS3101A-16-55P](#) [CS3102A-10SL-55P](#) [CS3102A-14S-58P](#) [CS3102A-32-17P](#) [CS3102A32-25S](#) [CS3102C18-4P-472](#)
[CS3106A10SL3S004](#) [CS3106A-18-73S](#) [CS3108A-14S-52S](#) [CS3108A-28-51S](#) [6162-233-1277](#) [6162-324-1231](#) [M243082296Z](#)
[M2884010AC1S1](#) [CT0-24-10SC](#) [CT0M20-7PCAU](#) [M28840/17AC1G3](#)