




## Product information GDML 2016 LED 24 VR YE schwarz/black

Industrial Connecting Solutions:Archive - Industrial Connectors:Rectangular connectors GDM-series (Archive):Type A EN 175301-803 (DIN 43650) / ISO 4400:Cable socket with electronic insert:GDML

2016 LED 24 VR YE schwarz/black

<http://e-catalog.hirschmann.com/link/57078-24228-62529-86162-24310-24314-35630/en/conf/ui/state>

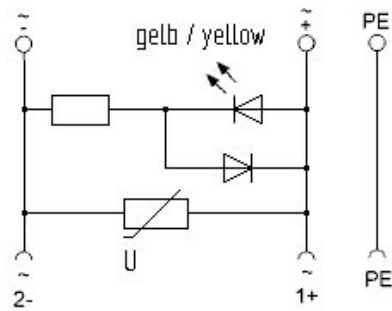
Name	GDML 2016 LED 24 VR YE schwarz/black
	
	function indicator (LED) with freewheeling diode and protective circuit (varistor)
<b>Delivery informations</b>	
Availability	available
<b>Product description</b>	
Description	function indicator (LED) with freewheeling diode and protective circuit (varistor)
Type	GDML 2016 LED 24 VR YE schwarz/black
Order No.	934 417-002
Other standard types	transparent housing, cable gland grey; Order no. 934 417-003
Number of contacts	2 + PE
Cable gland	M 16 (black)
Conductor size	max. 1.5 mm <sup>2</sup>
Standard	DIN EN 175 301-803-A
Housing Color	transparent
Construction type	A
<b>Description of Wiring</b>	
LED color	LED yellow
Suppressor	varistor
Other characteristics	LED-half-wave rectifier
<b>Technical data</b>	
Pin dimensions	6.3 mm x 0.8 mm, 4.8 mm x 0.8 mm
Rated voltage	AC/DC 24 V
Rated current	8 A
Contact resistance	<= 4 mOhm
Type of termination	screw
Suitable cables	4.5 mm to 10 mm diameter
Mounting	central nut
<b>Material</b>	
Contact surface material	Sn
Contact bearer material	PA
Housing material	PA
<b>Environmental conditions</b>	
Protection class (IEC 60529)	IP 65 (gasket necessary)
Pollution severity	3
Temperature range	-40 °C to +90 °C
<b>Inflammability class</b>	
Housing	94 HB
Contact bearer	94 HB
<b>Packing unit</b>	
Packaging unit	50 pieces
<b>Scope of delivery and accessories</b>	
Accessories to order separately	(NBR) flat gasket GDM 3-7, Order no. 730 801-002; (EPDM) flat gasket GDM 3-21, Order no. 731 739-004; profiled gasket GDM 3-16, Order no. 731 531-002; knurled screw GDM 3011-8, Order no. 732 574-001; stainless steel screw GDM 3011 RF-1, Order no. 734 363-001

2016 LED 24 VR YE schwarz/black

<http://e-catalog.hirschmann.com/link/57078-24228-62529-86162-24310-24314-35630/en/conf/uistate>

Picture

Drawing



**Belden Deutschland GmbH**

Im Gewerbepark 2  
58579 Schalksmühle  
Germany  
Phone: +49 7127/14-1806  
E-Mail: [icos-sales@belden.com](mailto:icos-sales@belden.com)

The information published in the websites has been compiled as carefully as possible. It is subject to alteration without notice in technical as well as in price-related/commercial respect. The complete information and data were available on user documentation. Mandatory information can only be obtained by a concrete query.

## X-ON Electronics

Largest Supplier of Electrical and Electronic Components

*Click to view similar products for [In-Line Junction Modules](#) category:*

*Click to view products by [Belden](#) manufacturer:*

Other Similar products are found below :

[00111975102](#) [6131-202-1358P](#) [6131-207-1158P](#) [6131-207-1558P](#) [6131-207-1758P](#) [6131-209-2558P](#) [6131-217-1758P](#) [6131-258-1958P](#)  
[6131-261-2358P](#) [6131-264-1358P](#) [6134-209-19149](#) [6408-203V-09273](#) [M81714/12-20D-2-LC](#) [D38999/26FJ43SB](#) [87.200.2201.3](#)  
[87.210.2204.3](#) [87.210.2211.3](#) [88083-10-6PN](#) [88083-10-6PN-L/C](#) [88083-10-6SN](#) [88083-10-6SN-LC](#) [88083-12-10PN-L/C](#) [88083-14-15SN-LC](#)  
[88083-14-15SW-L/C](#) [88083-14-4PN-LC](#) [88083-14-5SN-LC](#) [88083-16-26SN-LC](#) [88083-16-8PN-LC](#) [88083-18-8SN-LC](#) [88083-20-41PN-LC](#)  
[1210230271](#) [1210640168](#) [1210641064](#) [S53209NR051](#) [M81714/12-22D-2-LC](#) [TJSE20535](#) [TJSE20551](#) [TJSE20706](#) [YCTJ920E12NC098000](#)  
[6131-202-2358P](#) [6131-205-2558P](#) [6131-208-2558P](#) [6131-258-2158P](#) [E162N2N0506R](#) [M81714602001](#) [M817142DA1](#) [C81311N21](#)  
[CA3108E16S-1PA206](#) [87.200.2205.3](#) [1210401236](#)