



Minex series

- **Receptacle, plug, cable connecting plug**
- **Locking** : Coupling of the plug is provided by a knurled ring which screws on to the threaded shell of the receptacle.
- **Protection** : IP 65.
- **Contacts** : 3 and 7 contacts \varnothing 1 mm, crimping or soldering type contacts.
- **Max current rating** : 4A to 7A \varnothing 1 mm, consideration of the number of contacts carrying the current, their diameters, and the temperature increase which is permissible.
- **Contact resistance between pin and socket** : $<0,0020 \Omega$

- **Flashover voltage** : >2500 V A.C.
- **Insulation resistance** : >5000 M Ω
- **Operating temperature range** : - 40°C to +85°C (100 hours at +100°C).
- **Matière** : Coquille et isolant en polyacétals et polytéphalate de butylème, contact en laiton traitement doré.
- **Max, wire cross section area** : 0,93 mm².



Part numbers : Pin insert receptacles, socket insert plugs and cable connecting plugs, pin insert

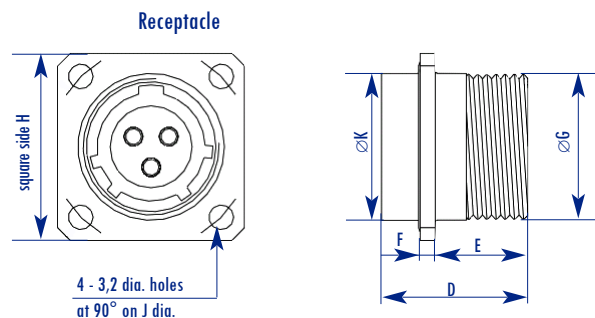
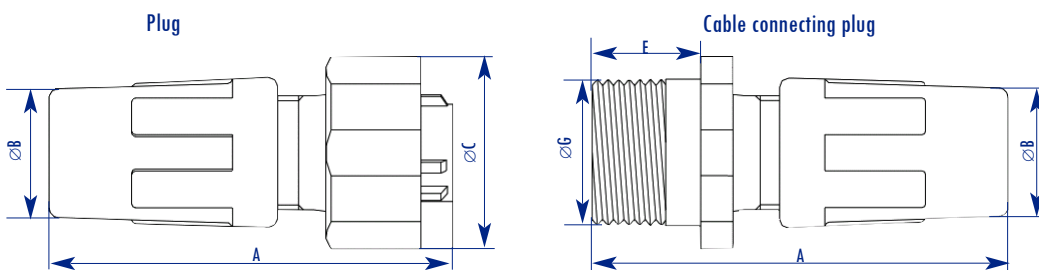
Shell size	Contacts number	receptacle pin insert	Socket insert plug	Cable connecting plugs pin insert	Protection caps receptacle	Protection cap plug	Gaskets for receptacle	Adjustable crimping tool	Combined insertion and extraction tool for contacts*
Minex	3	633 203 006	633 303 006	633 253 006	633 043 006	633 343 006	633 121 006	579 316 006 \varnothing 1mm	597 104 106
Minex	7	633 207 006	633 307 006	633 257 006	633 047 006	633 347 006	633 124 006		

Part numbers : Socket insert receptacles, pin insert plugs and cable connecting plugs, socket insert

Shell size	Contacts number	Socket insert receptacle	Pin insert plug	Cable connecting plug, socket insert	Protection caps receptacle	Protection cap plug	Gaskets for receptacle	Adjustable crimping tool	Combined insertion and extraction tool for contacts*
Minex	3	633 303 006	633 103 006	633 353 006	633 043 006	633 343 006	633 121 006	579 316 006 \varnothing 1mm	597 104 106
Minex	7	633 307 006	633 107 006	633 357 006	633 047 006	633 347 006	633 124 006		

***Note** : tool, part. No 597 104 106, is **necessary**, for insertion and extraction contacts.

Dimensions :



Shell size	Dimensions mm									
	A	B	C	D	E	F	G	K	H	J
1	41	14	21	19	12	2	16	16	21	21,5
2	41	17	24	19	12	2	19	19	24	25,7

X-ON Electronics

Largest Supplier of Electrical and Electronic Components

Click to view similar products for [jaeger](#) manufacturer:

Other Similar products are found below :

[630100006](#) [536206006](#) [038355006](#) [536945006](#) [530503006](#) [533760006](#) [532654006](#) [630138006](#) [633 703 006](#) [532006006](#) [530504006](#)
[530754006](#) [630 155 006](#) [533763006](#)