

# Universal control- and safety isolating- resp. isolating transformer **USTE 1000/2x115**



## Advantages

Universal input voltages 208 to 600 Vac

Very good switch-on behaviour thanks to reduced starting currents

High performance for the volume thanks to compact design

Very good corrosion protection and low noise thanks to BLOCKIMPEX vacuum impregnation

Quick to cable up thanks to the use of spring-loaded terminals

Contact protected screw connection terminals complying with UVV BGV A3

Simple mounting thanks to robust metal footplate with oval slots

Up to 250 VA with combination footplate for bolted and rail mounting

## Applications

As a control transformer for the electrical isolation of the input and output sides. The construction of the transformer to supply control systems according to VDE 0113 is designed.

As an isolating transformer for the safe electrical isolation of the input and output sides. The transformer may be used to set up protective separation as a protective measure in accordance with VDE 0100.

As a safety isolating transformer for the safe electrical isolation of the input and output sides. The transformer is suitable for creating SELV and PELV circuits because of the limit on the output voltage.

## Standards



Control transformer  
to: VDE 0570 Teil 2-2, DIN EN 61558-2-2, EN 61558-2-2, IEC 61558-2-2,  
UL 5085-1/-2, CSA 22.2 No.66

## Approvals



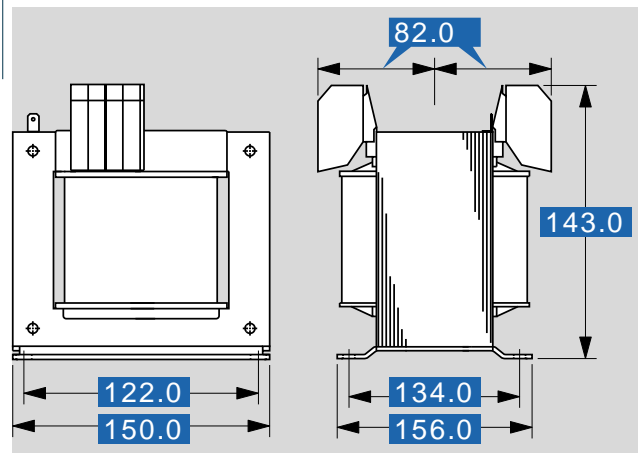
UL 5085-1/-2, CSA 22.2 No.66



# Universal control- and safety isolating- resp. isolating transformer USTE 1000/2x115

Type		USTE 1000/2x115
<b>Electrical data</b>	<b>Input</b>	
	Rated input Voltage	208 Vac/230 Vac/380 Vac 400 Vac/415 Vac/440 Vac 460 Vac/480 Vac/500 Vac 525 Vac/550 Vac/575 Vac 600 Vac
	Rated frequency	50 - 60 Hz
	<b>Output</b>	
	Rated output voltage	2 x 115 Vac
	Rated power VDE (DB cos phi=1)	1000 VA
	Rated power VDE (KB cos phi=0.5)	5000 VA
	No-load voltage (app. x factor)	1.02
	Efficiency	94 %
	<b>Standards</b>	
Classification	Control- and isolating transformer	
<b>Approvals</b>		
Approvals	cURus	
<b>Environment</b>		
Ambient temperature max.	40 °C	
Cooling method	self cooling	
<b>Safety and protection</b>		
Type	open type	
Class of Insulation System	VDE=B, UL=class 130	
Protection index	IP 00	
Safety class (prepared)	I	
Short circuit strength	non-short-circuit proof	
<b>Short circuit proof and overload proof*</b>		
Setting range 208 - 230 Vac	4.00 - 6.30 A	
Setting value 208 - 230 Vac	5.00 A	
Setting range 380 - 415 Vac	2.50 - 4.00 A	
Setting value 380 - 415 Vac	2.70 A	
Setting range 440 +20 Vac	1.60 - 2.50 A	
Setting value 440 +20 Vac	2.40 A	
Setting range 500 -20/+25 Vac	1.60 - 2.50 A	
Setting value 500 -20/+25 Vac	2.20 A	
Setting range 575 ±25 Vac	1.60 - 2.50 A	
Setting value 575 ±25 Vac	1.90 A	
<b>Order numbers</b>		
<b>Order Number</b>	<b>USTE 1000/2x115</b>	

Type		USTE 1000/2x115
<b>Mechanical data</b>	<b>Terminal and mounting</b>	
	Terminals	Spring terminals, PE 6.3 x 0.8
	Fixing method	Base plate
	Fixing screws	M6
	<b>Measures and weights</b>	
Weight	13.80 kg	



Subjects to change.

## X-ON Electronics

Largest Supplier of Electrical and Electronic Components

*Click to view similar products for [block manufacturer](#):*

Other Similar products are found below :

[PVSB 400/24-20](#) [RKD 120/2X24](#) [AIM5.0/2.5](#) [VB1.5/2/24](#) [STEU160/48](#) [TIM300](#) [AVB1.0/2/12](#) [FL4/18](#) [AVB2.3/2/12](#) [FL10/15](#) [FL6/24](#)  
[FL24/6](#) [STEU320/23](#) [STEU160/23](#) [LR3 48-3/80](#) [LR3 48-5/16](#) [PC-0148-100-0](#) [PM-0112-040-0](#) [PM-0748-400-0](#) [PT 7.5/2/9](#) [FL14/6](#) [FL52/12](#)  
[GNC24-2.5](#) [DCT24-1.5](#) [VB2.3/2/9](#) [VB 1.5/2/8](#) [SIM100](#) [RKD 100/2X15](#) [LR3 48-5/80](#) [LR3 48-5/90](#) [PM-0112-070-0](#) [PM-0148-020-0](#) [EB-](#)  
[1824-010-0](#) [USTE1000/2X115](#) [FL14/18](#) [FL6/6](#) [VB 0.35/1/15](#) [PC-0324-400-0](#) [STEU250/23](#) [AIM3.2/1.6](#) [AVB3.2/2/12](#) [FL10/12](#) [FL14/15](#)  
[FL8/6](#) [FL8/9](#) [LR3 48-3/90](#) [PC-0112-150-0](#) [EB-2724-100-0](#) [PVAF 24/3,2AH](#) [PT 4.5/2/12](#)