

Table 1: Dimensions Millimeters (Inches)

| Size | (A) | (B) Minimum | (L) Nominal | (C) Minimum | (D) Maximum | (W) |
|---------|--------------------------|----------------|----------------|----------------|----------------|--------------------------|
| TC 4001 | 19.1(0.750) ± 1.6(0.062) | 10.2(0.400) | 3.8(0.15) | 1.6(0.63) | 0.8(0.030) | 0.51(0.020) ± 0.1(0.005) |
| TC 4003 | 25.4(1.000) ± 1.6(0.062) | 14(0.550) | 3.8(0.15) | 3.2(0.125) | 1.3(0.050) | 0.64(0.025) ± 0.1(0.005) |
| TC 4005 | 28.6(1.125) ± 1.6(0.062) | 14(0.550) | 3.8(0.15) | 6.4(0.250) | 2.5(0.100) | 0.69(0.027) ± 0.1(0.005) |

Color: TC4001 White
TC4003 Red
TC4005 Gray


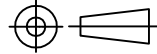
Reference Specification TEC-108-120013

RELEASED FOR PUBLICATION

ALL RIGHTS RESERVED.

THIS DRAWING IS UNPUBLISHED.

© COPYRIGHT 2017 TE Connectivity

| | | | | | |
|--|---|--------------------|--|-----------------------|-----------------|
| DIMENSIONS: mm | DWN J. Bitter | 29-NOV-16 | MATERIAL - | FINISH - | |
| | CHK - | - |  TE Connectivity 305 Constitution Drive Menlo Park, CA 94025 USA | | |
| TOLERANCES UNLESS OTHERWISE SPECIFIED: | APVD - | - | | | |
| 0 PLC ± - | PRODUCT SPEC - | - | | | NAME TC-CAPS |
| 1 PLC ± - | APPLICATION SPEC - | - | | | SIZE A4 |
| 2 PLC ± - | WEIGHT 0 | - | CAGE CODE 06090 | DRAWING NO TC-CAPS | |
| 3 PLC ± - |  | RESTRICTED TO - | | | |
| 4 PLC ± - | | SCALE None | SHEET 1 of 1 | REV D | |
| ANGLES ± - | CUSTOMER DRAWING | | | | |

X-ON Electronics

Largest Supplier of Electrical and Electronic Components

Click to view similar products for [Heat Shrink Tubing and Sleeves](#) category:

Click to view products by [TE Connectivity](#) manufacturer:

Other Similar products are found below :

[770-006S102](#) [5685710001](#) [CR8248-000](#) [CR9960-000](#) [603312-4](#) [607381P039](#) [611112-000](#) [617867N001](#) [6500750004](#) [CZ1420-000](#) [D-306-38](#)
[770-007A303](#) [770-010Y106W1](#) [770-010Y706W1](#) [7771210001](#) [MFP-1/4"-Clear](#) [MFP-3/64"-Clear](#) [790-3012](#) [MFT-MT2000-NO.14-0-SP](#)
[MHHT-4-15K2-G-104](#) [MIL-LT-1-1/2-4-SP](#) [MIL-LT-1-1/2-9-STK](#) [MIL-LT-1/2-2-STK](#) [MIL-LT-3-0-SP](#) [MIL-LT-3/32-0-SP](#) [MIL-LT-3/32-6-](#)
[SP](#) [MIL-LT-3/4-6-SP](#) [MIL-LT-3/8-0-SP](#) [8159270001](#) [839602-000](#) [8423-6](#) [FP301-116-6"-Black](#) [FP301-1/2-48"-Black](#) [FP301-12-48"-Black-](#)
[Hdr](#) [FP301-1/4-48"-Black](#) [FP301-1/4-48"-White-Hdr](#) [FP301-1-6"-Clear](#) [FP301-18-48"-Black-Hdr](#) [FP301-1/8-6"-Black](#) [FP301-18-6"-Black-](#)
[Bulk](#) [FP301-316-48"-Blue-Hdr](#) [FP301-316-6"-Clear](#) [FP301-332-6"-Black](#) [912229N002](#) [120-126-16BL](#) [121-001-09](#) [121-018-32](#) [121-018-40](#)
[121-123-1-1-32BTC](#) [121-123-1-1-40BTC](#)