



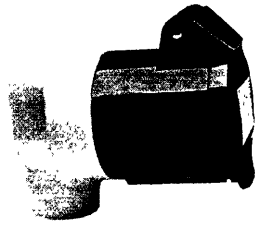
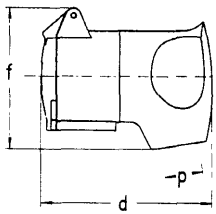
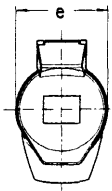

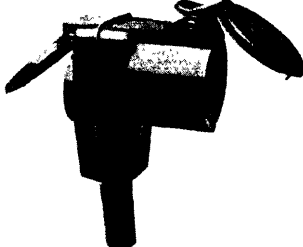
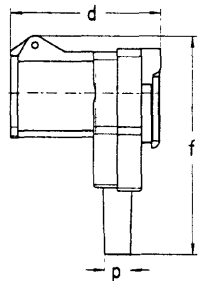
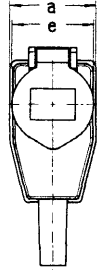

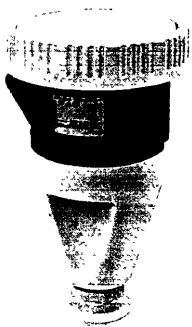
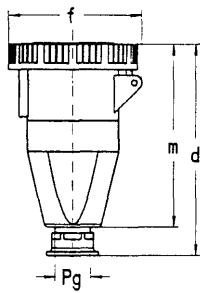
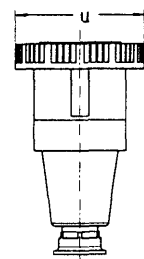
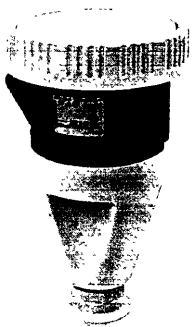
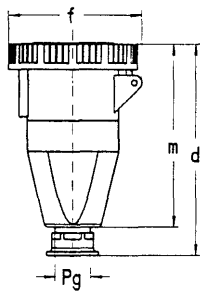
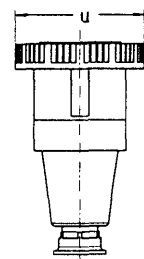
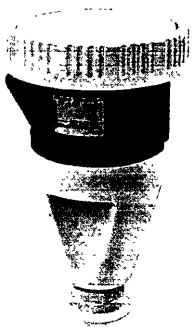
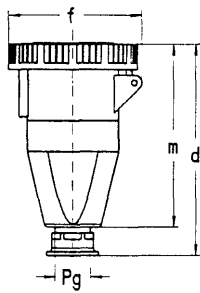
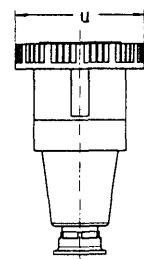
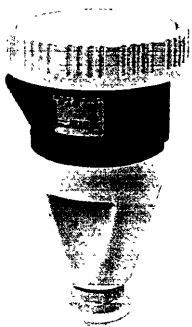
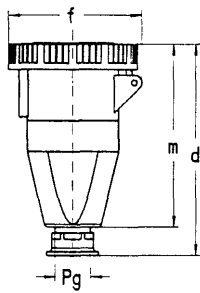
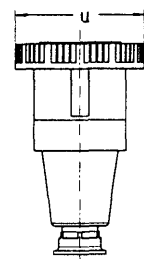


723 2238
723 2275

Amp	Volt	Hz	IP Ident. colour + h	Part No.	Couplers	2 P +  IEC/EN 60 309	  9	EAN No. 4015609...																															
16	230	50/60	 IP44	6 316 306	mondo angled coupler, RAL 7035 light grey   		10 138	016310 016303 016327																															
	110	50/60	4 316 304																																				
	400	50/60	9 316 309																																				
<table border="1" style="margin-left: auto; margin-right: auto;"> <thead> <tr> <th>Ampère</th> <th>d</th> <th>e</th> <th>f</th> <th>p</th> </tr> </thead> <tbody> <tr> <td>16 A</td> <td>95</td> <td>50,3</td> <td>80</td> <td>8/13</td> </tr> </tbody> </table>										Ampère	d	e	f	p	16 A	95	50,3	80	8/13																				
Ampère	d	e	f	p																																			
16 A	95	50,3	80	8/13																																			
16	230	50/60	 IP44	6 317 306	angled coupler, with Schuko socket outlet on reverse side   		10 152	016341																															
			4																																				
			9																																				
<table border="1" style="margin-left: auto; margin-right: auto;"> <thead> <tr> <th>Ampère</th> <th>a</th> <th>d</th> <th>e</th> <th>f</th> <th>Øp</th> </tr> </thead> <tbody> <tr> <td>16 A</td> <td>54</td> <td>87</td> <td>49,5</td> <td>140</td> <td>7/13</td> </tr> </tbody> </table>										Ampère	a	d	e	f	Øp	16 A	54	87	49,5	140	7/13																		
Ampère	a	d	e	f	Øp																																		
16 A	54	87	49,5	140	7/13																																		
16	230	50/60	 IP67	6 319 306	gland entry   		10 172	016372 016365 016389																															
			4																																				
			9																																				
32	230	50/60	6 339 306	  		10 308	017294 017287 017300																																
			4																																				
			9																																				
63	230	50/60	6 369 306	  		5 758	017874 017867 017881																																
			4																																				
			9																																				
125	230	50/60	6 379 306	  		2 1362	018055 018048 160730																																
			4																																				
			9																																				
<table border="1" style="margin-left: auto; margin-right: auto;"> <thead> <tr> <th>Ampère</th> <th>d</th> <th>f</th> <th>m</th> <th>u</th> <th>Pg</th> </tr> </thead> <tbody> <tr> <td>16 A</td> <td>136</td> <td>78</td> <td>121</td> <td>72</td> <td>13,5</td> </tr> <tr> <td>32 A</td> <td>170</td> <td>96</td> <td>149</td> <td>96</td> <td>21</td> </tr> <tr> <td>63 A</td> <td>255</td> <td>117</td> <td>206</td> <td>110</td> <td>36</td> </tr> <tr> <td>125 A</td> <td>332</td> <td>130</td> <td>275</td> <td>130</td> <td>48</td> </tr> </tbody> </table>										Ampère	d	f	m	u	Pg	16 A	136	78	121	72	13,5	32 A	170	96	149	96	21	63 A	255	117	206	110	36	125 A	332	130	275	130	48
Ampère	d	f	m	u	Pg																																		
16 A	136	78	121	72	13,5																																		
32 A	170	96	149	96	21																																		
63 A	255	117	206	110	36																																		
125 A	332	130	275	130	48																																		
<p>with Multi Contact</p>																																							

X-ON Electronics

Largest Supplier of Electrical and Electronic Components

Click to view similar products for [walther](#) manufacturer:

Other Similar products are found below :

[339306](#) [269306](#) [239](#) [630406](#) [330](#) [269](#) [430304](#) [10110](#) [130406](#) [630306](#) [410](#) [319306](#) [630](#) [10280](#) [10380](#) [610304](#) [10400](#) [210304](#) [310306](#)
[410304](#) [410306](#) [210](#) [330304](#) [230304](#) [230306](#)