

AC 5E



SIZE :

170x150x55mm (6.69"x5.91"x2.17")

CONSTRUCTION :

- Die-cast aluminum housing
- Metal impeller or Glass fiber reinforced plastic: Impeller are UL 94V-0 rating
- Shaded pole motor
- Impedance protected
- Leader wire available

OPERATING TEMPERATURE :

Ball bearing - 30°C to +75°C

WEIGHT :

1000 grams



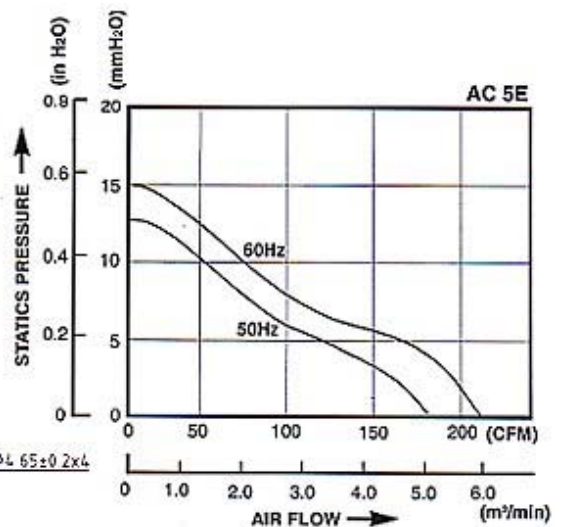
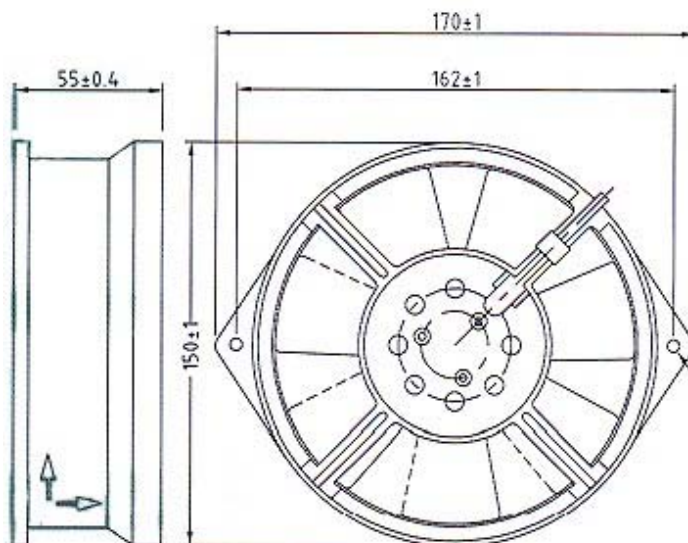
Specifications

Specifications are subject to change without notice

MODEL NO.	BEARING	RATED	FREQUENCY	MAX. RATED	MAX. INPUT	SPEED	MAX. AIR FLOW		MAX. AIR PRESSURE		NOISE
		VOLTAGE		CURRENT	POWER		m ³ /min	CFM	mmH ₂ O	IN H ₂ O	
		VAC	Hz	mA	W	R.P.M.					
5E-200B	Ball	200	50/60	300/280	46/44	2600/2700	4.92/5.21	174/184	10.17/10.23	0.40/0.41	50/53
5E-115B	Ball	115	50/60	640/540	48/46	2750/3100	5.66/6.79	200/240	12.30/13.70	0.48/0.54	50/53
5E-230B	Ball	230	50/60	300/280	46/44	2750/3100	5.66/6.79	200/240	12.30/13.70	0.48/0.54	50/53
5E-DVB	Ball	230/115	50/60	310/600	47/47	2750/3100	5.66/6.79	200/240	12.30/13.70	0.48/0.54	50/53
5P-115B	Ball	115	50/60	640/540	48/42	2850/3400	5.38/6.51	190/230	12.30/13.70	0.48/0.54	50/53
5P-230B	Ball	230	50/60	280/240	46/40	2850/3400	5.38/6.51	190/230	12.30/13.70	0.48/0.54	50/53
5E-DVB-1	Ball	200/100	50/60	330/620	45/50	2750/3100	5.66/6.79	200/240	12.30/13.70	0.48/0.54	50/53

Dimensions (mm)

Performance Curve



X-ON Electronics

Largest Supplier of Electrical and Electronic Components

Click to view similar products for [bi-sonic manufacturer](#):

Other Similar products are found below :

[9P-230LS-T](#) [8P-230LS-T](#) [4C-230HB-T](#) [BP1202524M-W](#) [BP501012M-W](#) [8P-230HB-T](#) [BP1203824H-03-W](#) [8P-230HS-W](#) [BP601012M-W](#)
[BP1202524H-W](#) [BP802512H-03-W](#) [4E-230S-17-T](#) [4C-230HB-W](#) [BP1202512H-W](#) [12P-230HB-T](#) [BP922524H-W](#) [SP802512H-03-W](#)
[BP402012H-W](#) [SP402012M-W](#) [BP401005H-W](#) [BP401012M-W](#) [BP402024H-W](#) [BP802524HL-03](#) [BP402024M-W](#) [BP922524M-W](#) [5E-](#)
[230B-W](#) [SP802524H-03-W](#) [5E-DVB-1-W](#) [BP602524H-03-W](#)