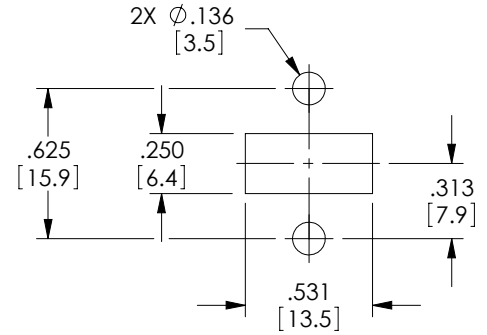
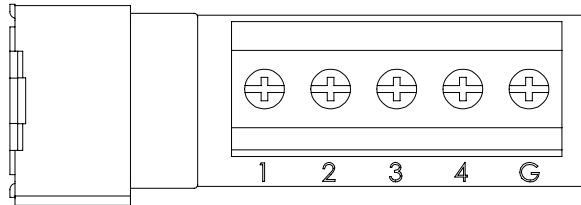


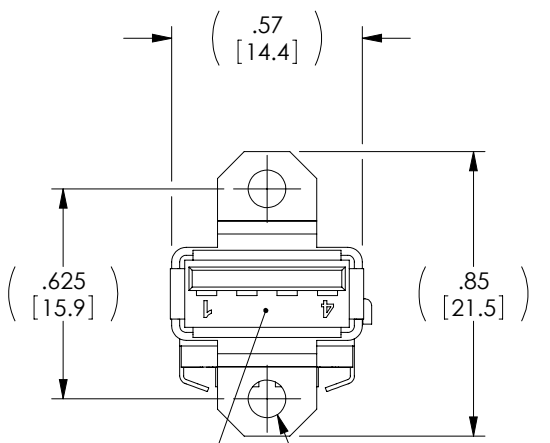
THE INFORMATION CONTAINED IN THIS DRAWING IS THE SOLE PROPERTY OF L-COM, INC. ANY REPRODUCTION IN PART OR WHOLE WITHOUT THE WRITTEN PERMISSION OF L-COM, INC. IS PROHIBITED.

REVISIONS			
REV	DESCRIPTION	DATE	APPROVED
A	INITIAL RELEASE	11/18/09	D.GRIFFIN
A	ECN 99999: CHANGED SCREW HEADS TO PHILLIPS/SLOTTED	11/25/09	D. CASTRO
B	ECN4842: ADDED SIGNAL COLUMN TO WIRE MAP. MOFIFIED NOTE 3.	06/16/10	DFO

WIRE MAP		
"J1"	"J2"	SIGNAL
1	1	CABLE POWER
2	2	DATA-
3	3	DATA+
4	4	CABLE GROUND
GND	GND	CONNECTOR SHELL

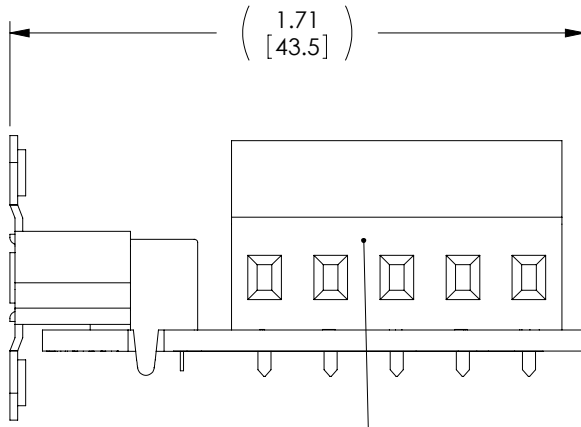


RECOMMENDED
PANEL MOUNTING
(FOR PANELS .11 THICK OR LESS)

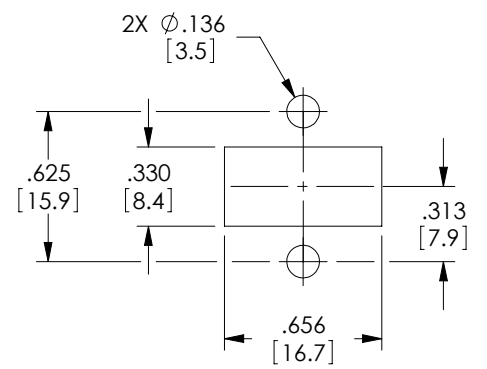


SERIES "A"
USB FEMALE
CONNECTOR
"J1"

2X #4-40 UNC-2B



5 POSITION
.197 [5.00mm] PITCH
TERMINAL BLOCK
"J2"



RECOMMENDED
PANEL MOUNTING
(FOR PANELS .12 THICK OR MORE)

RoHS Compliant ✓

NOTES:

1. INCLUDE MOUNTING HARDWARE (2) #4-40 UNC-2A X .37 [9.5mm] LONG PHILLIPS PAN HD SCREWS.
2. ASSEMBLY SHALL BE TESTED FOR CONTINUITY.
3. ASSEMBLY SHALL BE INDIVIDUALLY PACKAGED IN ACCORDANCE WITH L-COM SPECIFICATION PS-0031.

UNLESS OTHERWISE SPECIFIED, DIMENSIONS ARE IN INCHES [mm] OVERALL CABLE LENGTH TOLERANCE: ≤12 [305] = +1 [25] / -0 >12 [305] ≤60 [1524] = +2 [51] / -0 >60 [1524] ≤120 [3048] = +4 [102] / -0 >120 [3048] ≤300 [7620] = +6 [152] / -0 >300 [7620] = +3% / -0%	APPROVALS	DATE		45 BEECHWOOD DRIVE NORTH ANDOVER, MA 01845
	DRAWN BY D. CASTRO	7/23/09		
ALL OTHER DIMENSIONAL TOLERANCES: .X = ±.2 .XX = ±.02 .XXX = ±.005	CHECKED BY D. PARHAM	7/23/09	CATEGORY USB	
	APPROVED BY S. SMITH	7/23/09	PRODUCT DESCRIPTION CONN USB A FEM FIELD TERM	
PROJECTION 	CONFIGURATION DETAILS OF UNDIMENSIONED FEATURES MAY VARY	COLOR VARIATIONS MAY OCCUR	SIZE A	FSCM NO. 43321
			DWG. NO. USBAFT	REV. B
			SCALE: NONE	CAD FILE: USBAFT.SLDDRW
				SHEET 1 OF 1

X-ON Electronics

Largest Supplier of Electrical and Electronic Components

Click to view similar products for [l-com manufacturer](#):

Other Similar products are found below :

[FOA-550A](#) [SDRA15AG](#) [UMC-201](#) [CSMN50MF-5](#) [CSMNB15MF-15](#) [TRD815RA2BL-5](#) [CA3N050](#) [CA3A-90DA-1M](#) [U3A00003-03M](#)
[CTLF3VGAMM-20](#) [HDCAMM-3](#) [U3A00014-03M](#) [ECF-SK-25](#) [CSMT15MF-10](#) [CSMT15MM-15](#) [CSMT15MM-25](#) [CSPL15MF-50](#)
[CSPL25MF-25](#) [CSPL9MF-10](#) [CSPL9MF-5](#) [CSPL25MF-5](#) [CSPL25MF-2.5](#) [AL-IPEPS](#) [NB201611-10F-1](#) [TDG1026KC5-MNL](#) [NB121005-](#)
[10F](#) [TRD855SRA6DBL-05M](#) [TRD855SRA6DBL-10M](#) [TRD855SRA7DBL-1M](#) [TRD855SRA7DBL-10M](#) [PR175SCDLCQ24](#) [TRG508-T4T-](#)
[3M](#) [TRA5261-15F](#) [TRA5261S-1F](#) [TRA6261-1F](#) [TRA6261-10F](#) [USBBFT](#) [DGB25M](#) [UJ5T568S](#) [CASATAL-18](#) [CSM25MM-10](#) [CSM37MF-](#)
[10](#) [CSUSB-100](#) [CA3A-90RA-1M](#) [CA3A-90RMICB-1M](#) [U2A00003-3M](#) [U3A00003-05M](#) [U2A00008-12I](#) [U3A00056-03M](#) [U3A00007-075M](#)