



MS27291

Straight Non-Self-Locking Strain Relief

CONNECTOR DESIGNATOR:

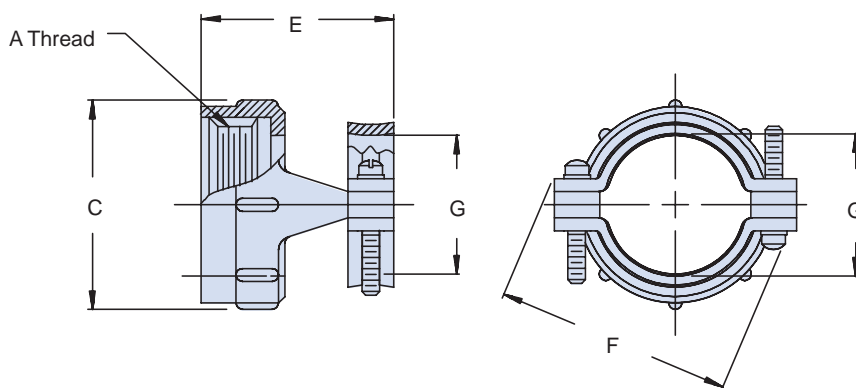
E MIL-DTL-26500
Basic
Part NumberDash
Number
MS27291 - 401


TABLE I: Dash Number, Shell Size, Thread and Dimensions

| Dash No. For Use with Class Connectors | | Shell Size Ref. | A Thread Class 2B | C Max | E | | F Max | | Ø G | |
|--|-----|-----------------|-------------------|--------------|--------------|--------------|--------------|--|-------|------|
| R and F | G | | | | ±.015 | (.4) | | | ±.005 | (.1) |
| 1 | 101 | 10 | .562 - 24 UNEF | .731 (18.6) | .935 (23.7) | .914 (23.2) | .270 (6.9) | | | |
| 2 | 201 | 12 | .750 - 20 UNEF | .919 (23.3) | .935 (23.7) | 1.026 (26.1) | .400 (10.2) | | | |
| 3 | 301 | 14 | .812 - 20 UNEF | .981 (24.9) | 1.170 (29.7) | 1.090 (27.7) | .460 (11.7) | | | |
| 4 | 401 | 16 | .938 - 20 UNEF | 1.106 (28.1) | 1.170 (29.7) | 1.250 (31.8) | .610 (15.5) | | | |
| 5 | 501 | 18 | 1.062 - 18 UNEF | 1.231 (31.3) | 1.170 (29.7) | 1.358 (34.5) | .690 (17.5) | | | |
| 6 | 601 | 22 | 1.312 - 18 UNEF | 1.481 (37.6) | 1.170 (29.7) | 1.604 (40.7) | .940 (23.9) | | | |
| 13 | 701 | 8 | .438 - 28 UNEF | .606 (15.4) | .935 (23.7) | .789 (20.0) | .186 (4.7) | | | |
| 14 | 801 | 20 | 1.188 - 18 UNEF | 1.356 (34.4) | 1.170 (29.7) | 1.481 (37.6) | .816 (20.7) | | | |
| 15 | 901 | 24 | 1.438 - 18 UNEF | 1.606 (40.8) | 1.170 (29.7) | 1.729 (43.9) | 1.066 (27.1) | | | |

APPLICATION NOTES

1. Finish: Class R and F—anodize, Class G, Chrome Plated
2. Assembly to be identified with manufacturer's name and part number, space permitting.
3. For complete dimensions, see the applicable Military Specification.
4. Metric dimensions (mm) are in parentheses.

Dimensions in inches (millimeters) and are subject to change without notice.

X-ON Electronics

Largest Supplier of Electrical and Electronic Components

Click to view similar products for [Circular MIL Spec Backshells](#) category:

Click to view products by [Glenair](#) manufacturer:

Other Similar products are found below :

[5M2919-3DW](#) [5M2920-3CW](#) [5M2953-1HW](#) [60-036152-022](#) [610HS012M15](#) [M28840/504WA](#) [M28840/805WB](#) [M28840/809WA](#)
[M28840/815WA](#) [M28840/816WA](#) [627AS017M14](#) [62GB5851608S](#) [655HS002NF11](#) [CW3703-000](#) [CW3899-000](#) [M85049/10-134S](#)
[M85049/10-17S](#) [M85049/10-33S](#) [M85049/10-94W](#) [M85049/11-09W](#) [M85049/11-28N](#) [M85049/11-37N](#) [M85049/11-53N](#) [M85049/11-63N](#)
[M85049/118-20W](#) [M85049/124-23W](#) [M85049/124S09W](#) [M85049/126S23W](#) [M850491712W02](#) [M85049/1720N04B](#) [M85049/1817N06](#)
[M850491819W03](#) [M85049/1821W05C](#) [M85049/1825W06C](#) [M85049/1919N05](#) [M85049/1919W04](#) [M850491919W07](#) [M85049/23-59W](#)
[M85049/23-74W](#) [M8504924-5W](#) [M85049/24-71N](#) [M85049/25-47N](#) [M85049/25-94W](#) [M85049/27S12N](#) [M8504938-13S](#) [M85049/38-19S](#)
[M85049/39-11S](#) [M85049/39-17S](#) [M85049/39-9S](#) [M85049/3W4A2](#)