

# MICRO SWITCH

FREERPORT ILLINOIS, U.S.A  
A DIVISION OF HONEYWELL  
FED. MFG. CODE 91929

## SWITCH - BASIC

CATALOG LISTING

5SE183-2

5SE183-2

M

DRAWING NUMBER

X

X

4

ISSUE

REVISIONS

A C056103

CJH 12 NOV 84

B C057041A

CJH 21 MAR 85

C C070590

LJF 28 SEP 91

REPLACES

RELEASE NO. PR-7464

CHECK

CHECK

2 NOV 78

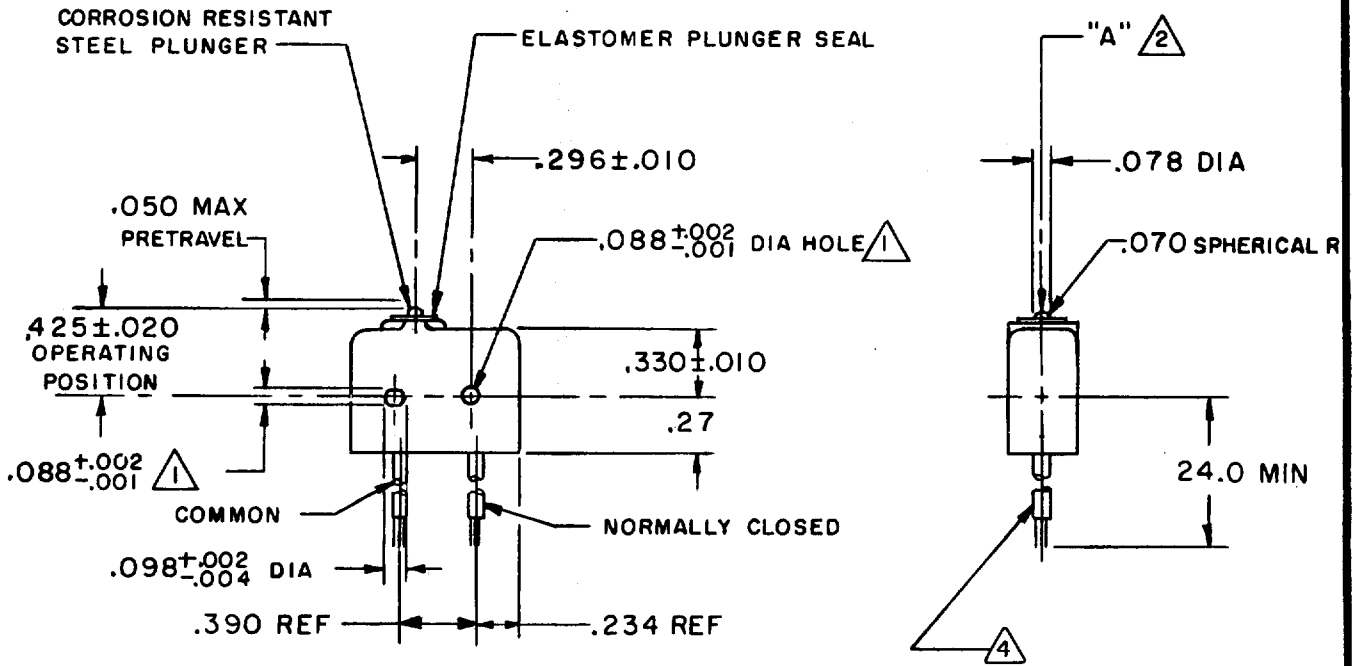
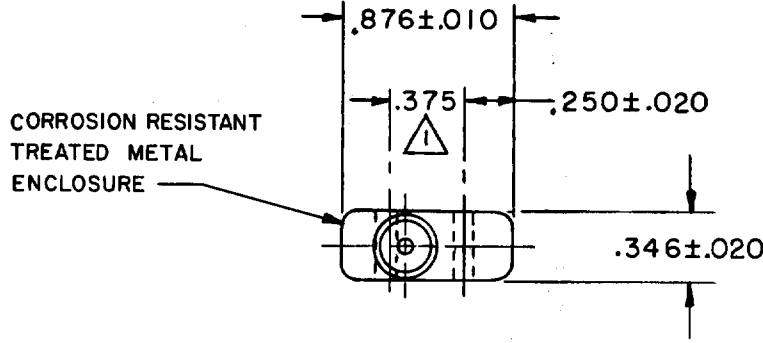
CHECK

78

2 NOV 78

CHECK

D

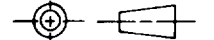


**NOTES**

- ① - MOUNTING HOLES WILL ACCEPT .087 MAX DIA PINS OR SCREWS ON .375±.002 CENTERS
- ② ACTUATION IN LINE WITH ARROW "A" IS RECOMMENDED
- ③ WEIGHT OF SWITCH ONLY IS .26 OZ MAX. WEIGHT OF SWITCH WITH WIRE LEADS IS .58 OZ MAX
- ④ NO. 20 WIRE LEAD PER MIL-STD-22759/17 MARKED WITH CIRCUIT IDENTIFICATION & WIRE GAGE AT 2 INCH INTERVAL (C-20, NC-20) PER MIL-W-5088. LEAD WIRE EMBEDDED IN EPOXY CASTING RESIN

THIS DRAWING COVERS A PROPRIETARY ITEM AND IS THE PROPERTY OF MICRO SWITCH. A DIVISION OF HONEYWELL. THIS DRAWING IS NOT TO BE COPIED OR USED WITHOUT THE APPROVAL OF MICRO SWITCH.

THIRD ANGLE PROJECTION



**CHARACTERISTICS**

OPERATING FORCE ----- 5-17 OZ  
RELEASE FORCE ----- 4 OZ MIN  
RELEASE TRAVEL ----- .004 MIN  
DIFFERENTIAL TRAVEL ----- .004 MAX  
OVERTRAVEL ----- .003 MIN

**ELECTRICAL DATA**

CONTACT ARRANGEMENT  
**S P N C**  
250 VAC ----- 5 AMP  
30 VOLTS DC RATING  
INDUCTIVE ----- SEA LEVEL -- 3 AMP  
50,000 FT -- 2.5 AMP  
RESISTIVE ----- SEA LEVEL -- 5 AMP  
50,000 FT -- 5 AMP  
MAXIMUM INRUSH ----- 24 AMP

SCALE FULL

DO NOT SCALE PRINT

**TOLERANCES**

APPLY TO DESIGN UNITS. CONVERSIONS ARE ONLY FOR REFERENCE. UNLESS NOTED, TOLERANCES ARE:

	DIM. mm	TOL. mm/in	DIM. in	TOL. mm/in
NO PLACES	X	1/04	X X	0.01/03
ONE PLACE	X,X	0.4/016	X X X	0.381/015
TWO PLACES	X,X,X	0.15/008	X X X X	0.151/.778
THREE PLACES	X,X,X,X		X X X X X	
ANGLES				

METRIC

US CUSTOMARY

DESIGN UNITS  METRIC  US CUSTOMARY

WEIGHT ③

J-52848-A

DRAWN

D J S 28 OCT 78

## X-ON Electronics

Largest Supplier of Electrical and Electronic Components

*Click to view similar products for [Basic / Snap Action Switches](#) category:*

*Click to view products by [Honeywell](#) manufacturer:*

Other Similar products are found below :

[83228001](#) [01.098.1358.1](#) [602EN1-6B](#) [602EN532](#) [602EN535-RB](#) [602HE5-RB1](#) [604HE162](#) [604HE223-6B](#) [624HE17-RB](#) [6HM89](#) [6PA78-JM](#)  
[6SE1](#) [6SX1-H58](#) [70500840](#) [MBD5B1](#) [MBH2731](#) [73-316-0012](#) [79211759](#) [79211923](#) [79218589](#) [7AS12](#) [ML-1155](#) [ML-1376](#) [831010C3.0](#)  
[831060C3.TL](#) [831090C2.EL](#) [83131904](#) [84212012](#) [8AS239](#) [8HM73-3](#) [903VB1-PG](#) [914CE1-6G](#) [PL-100](#) [11SM1077-H4](#) [11SM1077-H58](#)  
[11SM1-TN107](#) [11SM405](#) [11SM703-T](#) [11SM8423-H2](#) [11SX37-T](#) [11SX48-H58](#) [11SX55-H58](#) [11SM2442-T](#) [11SM76-T](#) [11SM77-H58](#)  
[11SM77-T](#) [11SM863-T](#) [11SM866](#) [11SX47-H58](#) [A7CN-1M-1-LEFT](#)