

1

2

3

4

A

A

B

B

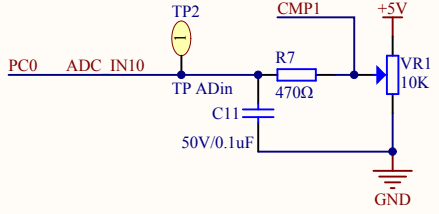
C

C

D

D

### ADC



<b>Company Name: GigaDevice</b>		
<b>File Name: ADC</b>		
Revision: 1.0	Data: 2015-11	Author: Xufei

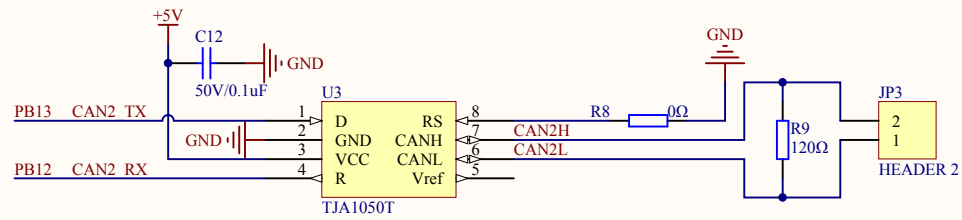
1

2

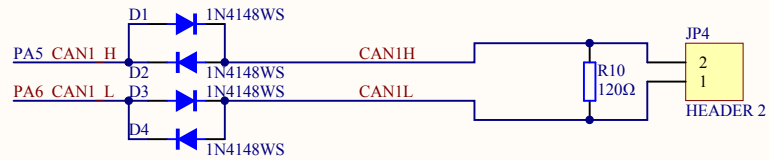
3

4

## CAN



PA5 is an AFIO, please refer to DAC schematic for right config



**Company Name: GigaDevice**

**File Name: CAN**

Revision: 1.0

Data: 2015-11

Author: Xufei

1

2

3

4

A

A

B

B

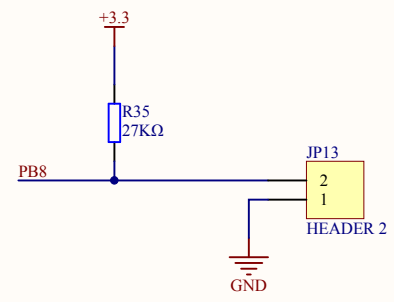
C

C

D

D

### HDMI-CEC



**Company Name: GigaDevice**

**File Name: CEC**

Revision: 1.0

Data: 2015-12

Author: Xufei

1

2

3

4

1

2

3

4

A

A

B

B

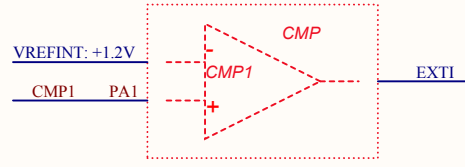
C

C

D

D

### CMP



<b>Company Name: GigaDevice</b>		
<b>File Name: CMP</b>		
Revision: 1.0	Data: 2015-11	Author: Xufei

1

2

3

4

1

2

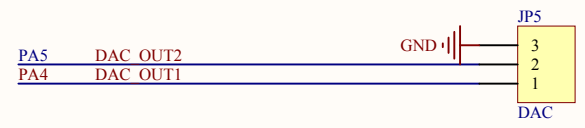
3

4

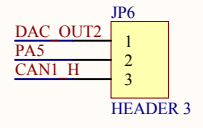
A

A

# DAC



Short JP6(1,2) for DAC function  
Short JP6(2,3) for CAN1 function



B

B

C

C

D

D

**Company Name: GigaDevice**

**File Name: DAC**

Revision: 1.0

Data: 2015-11

Author: Xufei

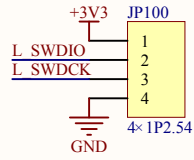
1

2

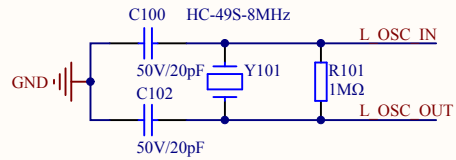
3

4

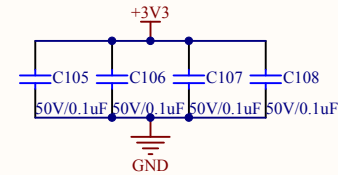
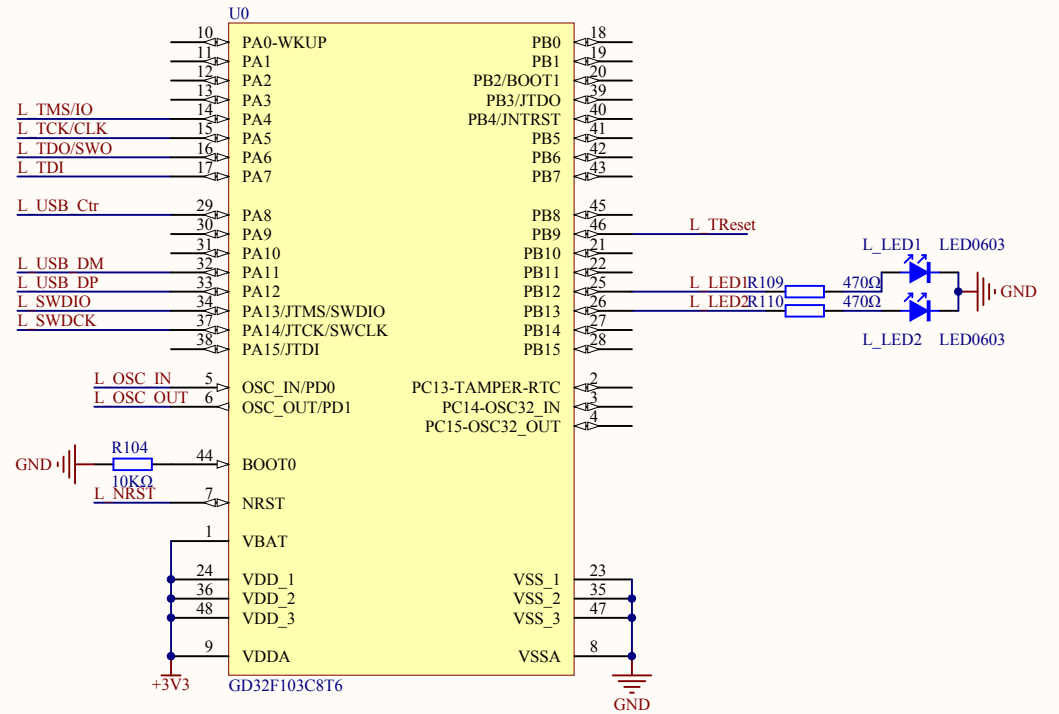
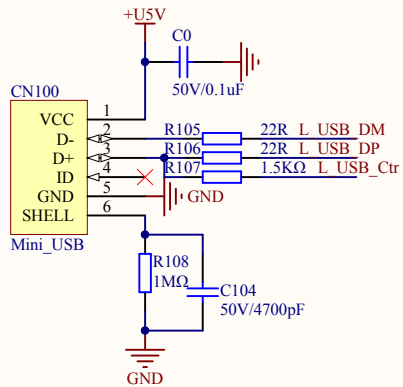
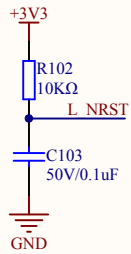
### MCU SWD



### HSE



### Reset



Company Name: GigaDevice

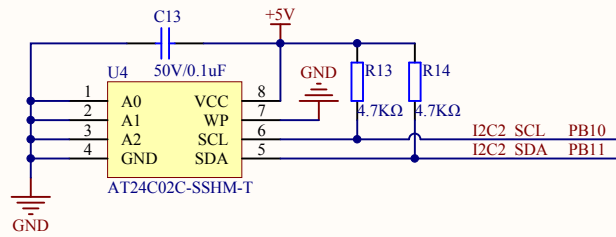
File Name: GDLink

Revision: 1.0

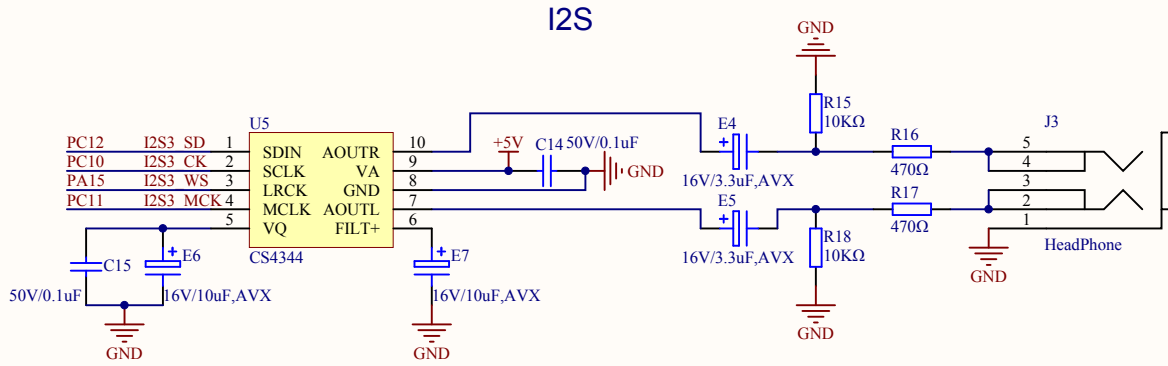
Data: 2015-01-09

Author: XuFei

# I2C



<b>Company Name: GigaDevice</b>		
<b>File Name: I2C</b>		
Revision: 1.0	Data: 2015-11	Author: Xufei



**Company Name: GigaDevice**

**File Name: I2S**

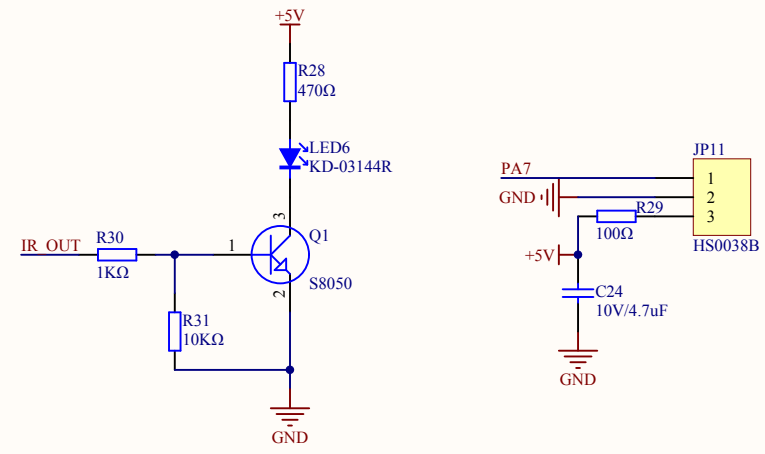
Revision: 1.0

Data: 2015-11

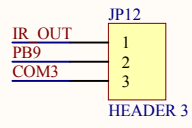
Author: Xufei



# IFRR



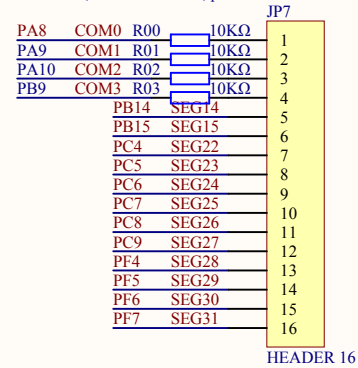
Short JP12(1,2) for IFRR function  
 Short JP12(2,3) for LCD function



<b>Company Name: GigaDevice</b>		
<b>File Name: IFRR</b>		
Revision: 1.0	Data: 2015-11	Author: Xufei

### LCD

PB9 is an AFIO, please refer to IFRR schematic for right config  
PA9,PA10 are AFIOs, please refer to USART schematic for right config



<b>Company Name: GigaDevice</b>		
<b>File Name: LCD</b>		
Revision: 1.0	Data: 2015-11	Author: Xufei

1

2

3

4

A

A

U\_ADC  
ADC.SchDoc



U\_IFRR  
IFRR.SchDoc



U\_SPI  
SPI.SchDoc



U\_CAN  
CAN.SchDoc



U\_LCD  
LCD.SchDoc



U\_TSI  
TSI.SchDoc



B

B

U\_CMP  
CMP.SchDoc



U\_MCU  
MCU.SchDoc



U\_USART  
USART.SchDoc



U\_DAC  
DAC.SchDoc



U\_OPAMP  
OPAMP.SchDoc



U\_USART  
CEC.SchDoc



C

C

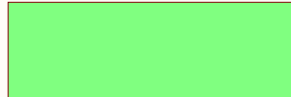
U\_I2C  
I2C.SchDoc



U\_Peripherals  
Peripherals.SchDoc



U\_I2S  
I2S.SchDoc



U\_POWER  
POWER.SchDoc



D

D

**Company Name: GigaDevice**

**File Name: MAIN**

Revision: 1.0

Data: 2015-11

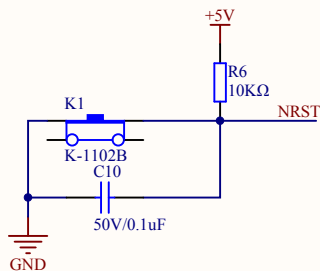
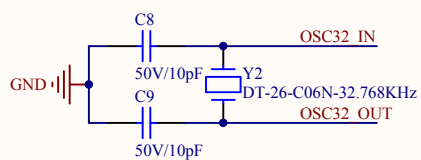
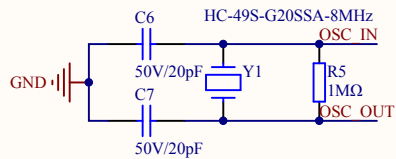
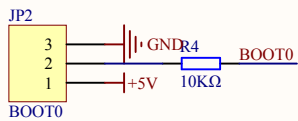
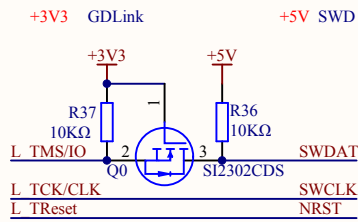
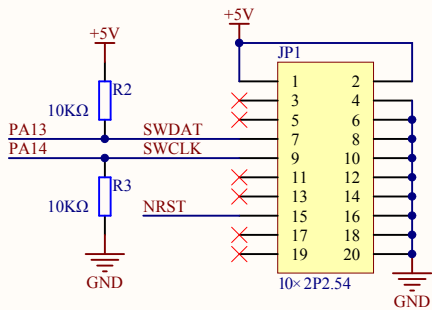
Author: Xufei

1

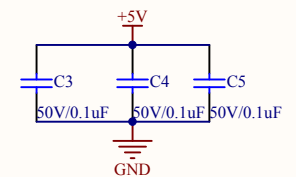
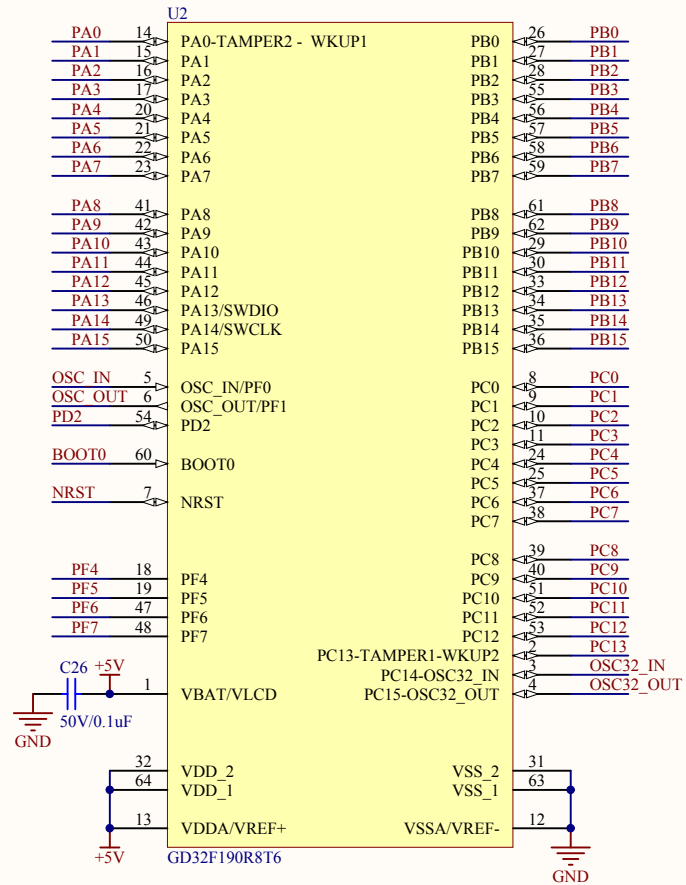
2

3

4



## MCU



<b>Company Name: GigaDeice</b>		
<b>File Name: MCU</b>		
Revision: 1.0	Data: 2015-11	Author: Xufei

1

2

3

4

A

A

B

B

C

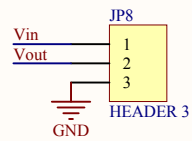
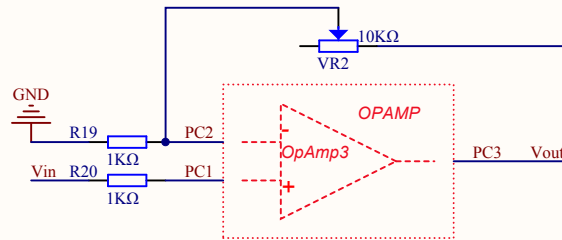
C

D

D

# OPAMP

OPAMP3	VINM	PC2
OPAMP3	VINP	PC1
OPAMP3	VOUT	PC3



<b>Company Name: GigaDevice</b>		
<b>File Name: OPAMP</b>		
Revision: 1.0	Data: 2015-11	Author: Xufei

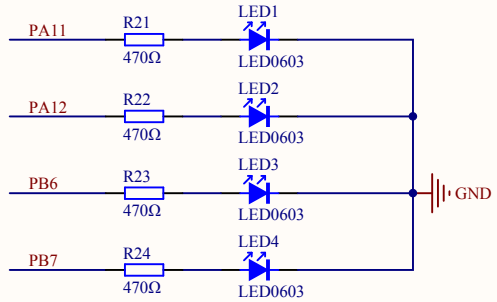
1

2

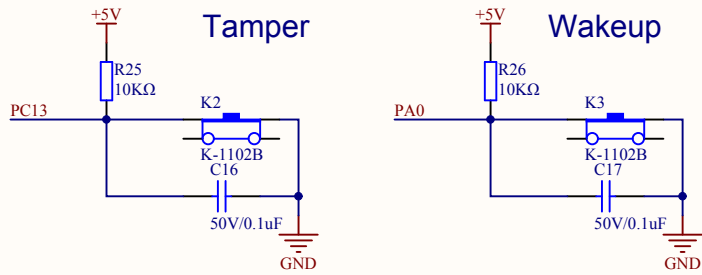
3

4

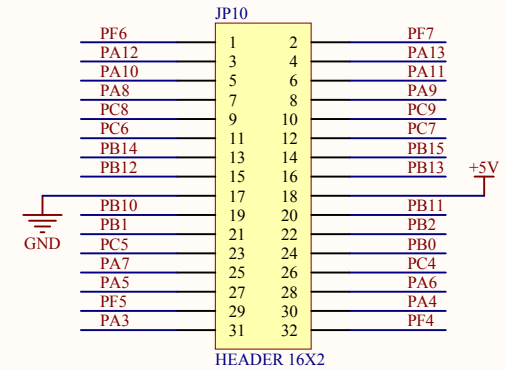
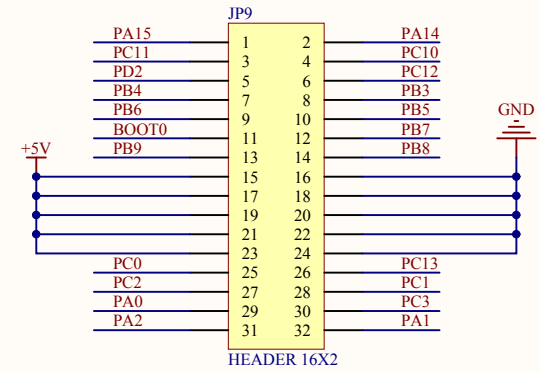
### LED



### Button KEY

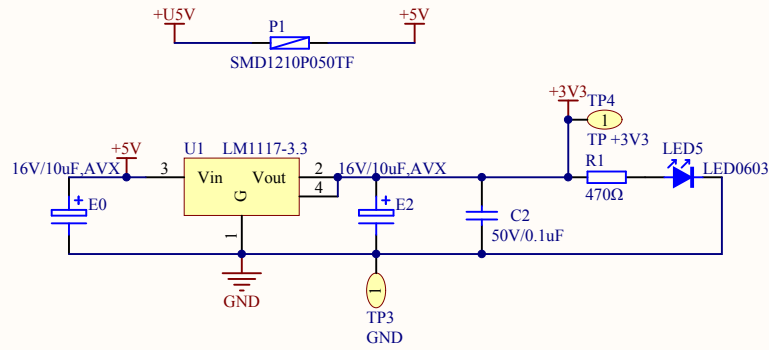


### Extention



<b>Company Name: GigaDevice</b>		
<b>File Name: Peripherals</b>		
Revision: 1.0	Data: 2015-11	Author: Xufei

# POWER



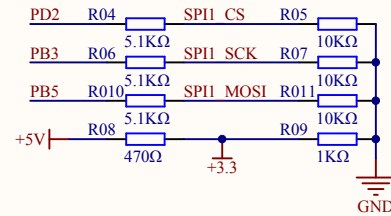
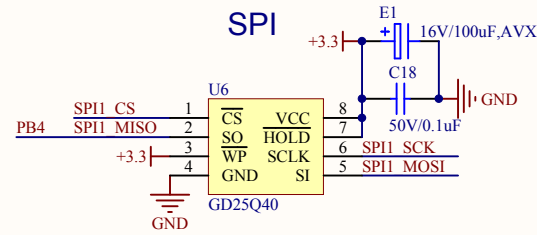
**Company Name: GigaDevice**

**File Name: POWER**

Revision: 1.2

Data: 2016-3

Author: Xufei



<b>Company Name: GigaDevice</b>		
<b>File Name: SPI</b>		
Revision: 1.0	Data: 2015-11	Author: Xufei



1

2

3

4

A

A

B

B

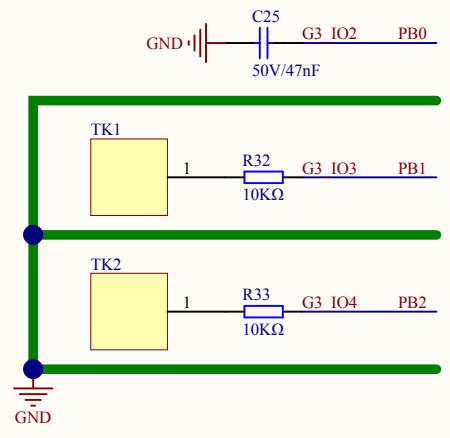
C

C

D

D

### TSI



**Company Name: GigaDevice**

**File Name: TSI**

Revision: 1.0

Data: 2015-11

Author: Xufei

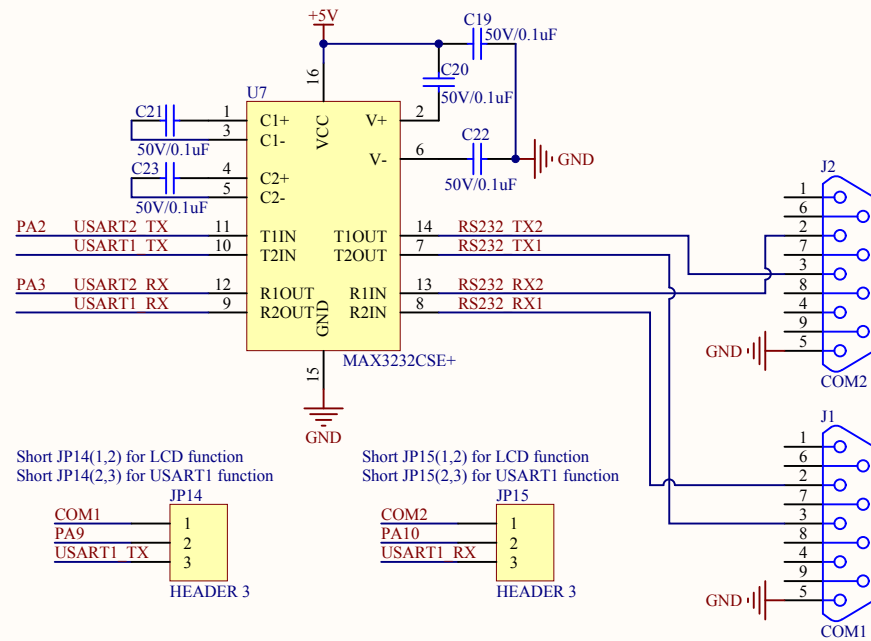
1

2

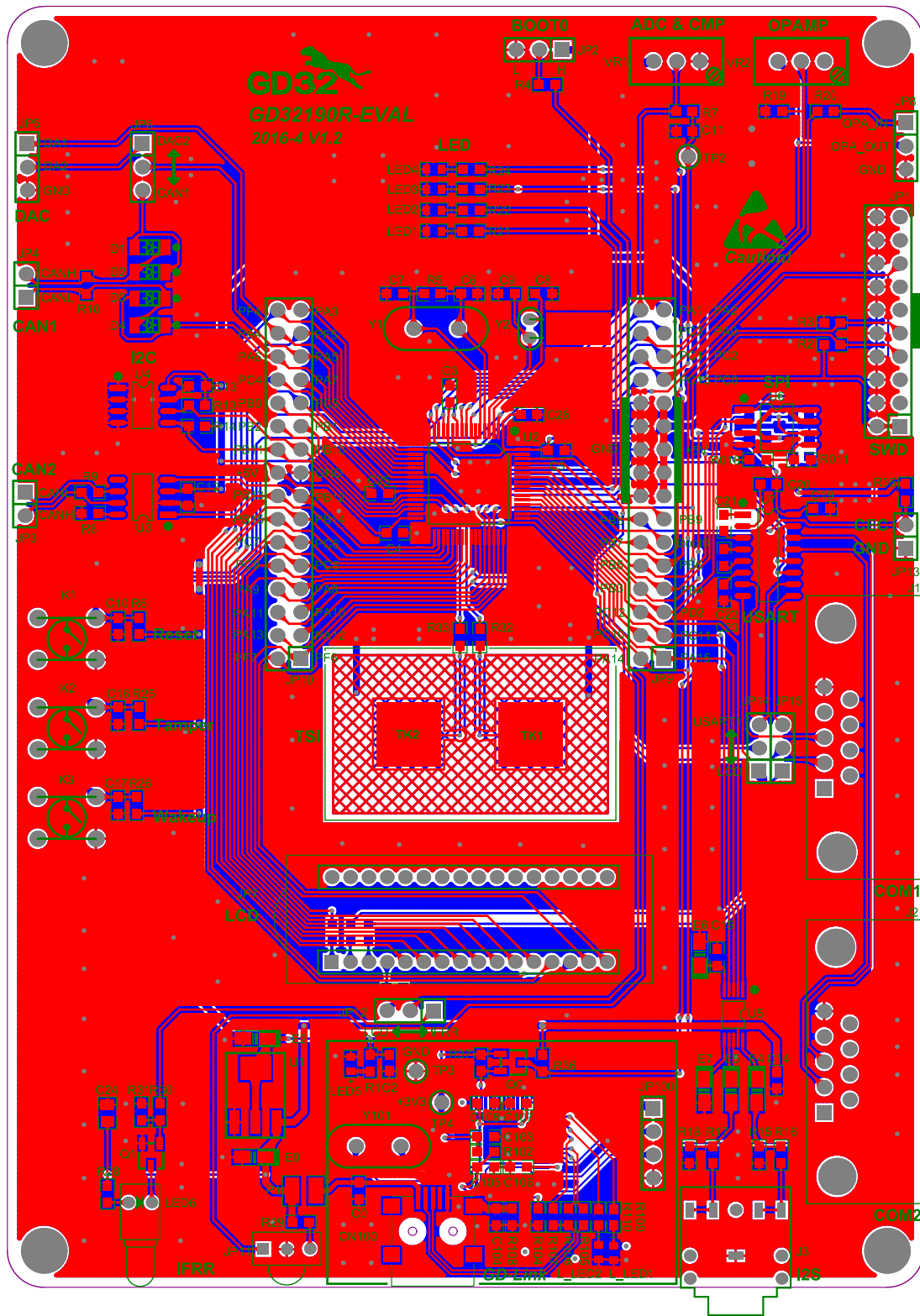
3

4

# USART



<b>Company Name: GigaDevice</b>		
<b>File Name: USART</b>		
Revision: 1.2	Data: 2016-4	Author: Xufei



## X-ON Electronics

Largest Supplier of Electrical and Electronic Components

*Click to view similar products for [Development Boards & Kits - Other Processors](#) category:*

*Click to view products by [Gigadevice](#) manufacturer:*

Other Similar products are found below :

[KIT\\_AURIX\\_TC233LP\\_TRB](#) [EVB-MEC1418MECC](#) [SPC56XVTOP-M](#) [ADZS-BF506F-EZLITE](#) [ADZS-SADA2-BRD](#) [20-101-1252](#)  
[T1023RDB-PC](#) [20-101-1267](#) [T1042D4RDB-PA](#) [ML610Q174](#) [REFERENCE BOARD](#) [MPC574XG-MB](#) [BSC9132QDS](#) [C29XPCIE-RDB](#)  
[KIT\\_TC1793\\_SK](#) [CC-ACC-18M433](#) [P1010RDB-PB](#) [P1020RDB-PD](#) [P2020COME-DS-PB](#) [STM8S/32-D/RAIS](#) [T4240RDB-PB](#) [TRK-USB-](#)  
[MPC5604B](#) [TWR-56F8200](#) [CY3674](#) [SPC58XXADPT176S](#) [MAX1464EVKIT](#) [TRK-MPC5606B](#) [RTE510Y470TGB00000R](#) [STM8128-](#)  
[MCKIT](#) [MAXQ622-KIT#](#) [YRPBRL78G11](#) [SPC58EEMU](#) [QB-R5F10JGC-TB](#) [YQB-R5F11BLE-TB](#) [SPC564A70AVB176](#)  
[RTE5117GC0TGB00000R](#) [QB-R5F100LE-TB](#) [YR0K50571MS000BE](#) [YQB-R5F1057A-TB](#) [QB-R5F104PJ-TB](#) [CC-ACC-ETHMX](#)  
[LFM34INTPQA](#) [SPC563M64A176S](#) [Y-BLDC-SK-RL78F14](#) [P1021RDB-PC](#) [SPC58XCADPT176S](#) [RTE510MPG0TGB00000R](#)  
[YRPBRX71M](#) [LFMAJ04PLT](#) [KITAURIXTC234LPSTRBTOBO1](#) [OV-7604-C7-EVALUATION-BOARD](#)