

TMP type

PCB type

mm inch

**FEATURES**

**1. Ideal for compressor and inverter loads**

- 1) Compressor load: 20A 250V AC
- 2) Inverter load: 20A 100V AC, 10A 200V AC

**2. High insulation resistance**

- Creepage distance and clearances between contact and coil;  
Creepage Min. 9.5mm .374inch/  
Clearance Min. 8mm .315inch
- Surge withstand voltage: Min. 10,000V

**3. "PCB" and "TMP" types available**

**4. Conforms to the various safety standards:**

UL/CSA, TÜV, VDE approved

**SPECIFICATIONS**

**Contact**

Arrangement	1 Form A	
Initial contact resistance, max. (By voltage drop 6 V DC 1 A)	100 mΩ	
Contact material	AgSnO <sub>2</sub> type	
Rating (resistive load)	Nominal switching capacity	20 A 250V AC
	Max. switching power	6,250 V A
	Max. switching voltage	250V AC
	Max. switching current	25 A
	Min. switching capacity#1	100 mA, 5 V DC
Expected life (min. operations)	Mechanical (at 180 cpm)	2 × 10 <sup>6</sup>
	Electrical (at 20 cpm) (Resistive load)	10 <sup>5</sup>

**Coil**

Nominal operating power	900 mW
-------------------------	--------

#1 This value can change due to the switching frequency, environmental conditions, and desired reliability level, therefore it is recommended to check this with the actual load.

**Remarks**

- \* Specifications will vary with foreign standards certification ratings.
- \*1 Measurement at same location as "Initial breakdown voltage" section.
- \*2 Detection current: 10mA
- \*3 Wave is standard shock voltage of ±1.2 × 50μs according to JEC-212-1981
- \*4 Excluding contact bounce time.
- \*5 Half-wave pulse of sine wave: 11 ms; detection time: 10 μs
- \*6 Half-wave pulse of sine wave: 6 ms
- \*7 Detection time: 10 μs
- \*8 Refer to "6. Usage, Storage and Transport Conditions" in **AMBIENT ENVIRONMENT** section in **Relay Technical Information**.

**Characteristics**

Max. operating speed (at rated load)	20 cpm	
Initial insulation resistance*1	Min. 1,000 MΩ (at 500 V DC)	
Initial breakdown voltage*2	Between open contacts	1,000 Vrms for 1 min.
	Between contacts and coil	5,000 Vrms for 1 min.
Surge voltage between contact and coil*3	Min. 10,000 V	
Operate time*4 (at nominal voltage)	Max. 20 ms (at 20°C 68°F)	
Release time (without diode)*4 (at nominal voltage)	Max. 15 ms (at 20°C 68°F)	
Temperature rise (at nominal voltage)	Max. 45°C (resistance method, contact current 20 A, rated coil voltage, 60°C 140°F)	
Shock resistance	Functional*5	Min. 100 m/s <sup>2</sup> {10 G}
	Destructive*6	Min. 1,000 m/s <sup>2</sup> {100 G}
Vibration resistance	Functional*7	10 to 55Hz at double amplitude of 1.5mm
	Destructive	10 to 55Hz at double amplitude of 1.5mm
Conditions for operation, transport and storage*8 (Not freezing and condensing at low temperature)	Ambient temp.	-40°C to +60°C -40°F to +140°F
	Humidity	5 to 85% R.H.
Unit weight	Approx. 23 g .81 oz	

**TYPICAL APPLICATIONS**

- Air conditioner
- Refrigerators
- OA equipment

**ORDERING INFORMATION**

Ex. 

A	LF	1	T	12
---	----	---	---	----

Product Name	Contact arrangement	Terminal shape	Coil voltage, V DC
LF	1: 1 Form A	T: TMP type P: PCB type	05: 5 12: 12 06: 6 18: 18 09: 9 24: 24

Note: Standard packing; Carton: 50 pcs. Case 200 pcs.  
UL/CSA,VDE, TÜV approved type is standard.

# LF (ALF)

## TYPES

Contact arrangement	Coil voltage, V DC	TMP type	PCB type
1 Form A	5	ALF1T05	ALF1P05
	6	ALF1T06	ALF1P06
	9	ALF1T09	ALF1P09
	12	ALF1T12	ALF1P12
	18	ALF1T18	ALF1P18
	24	ALF1T24	ALF1P24

## COIL DATA

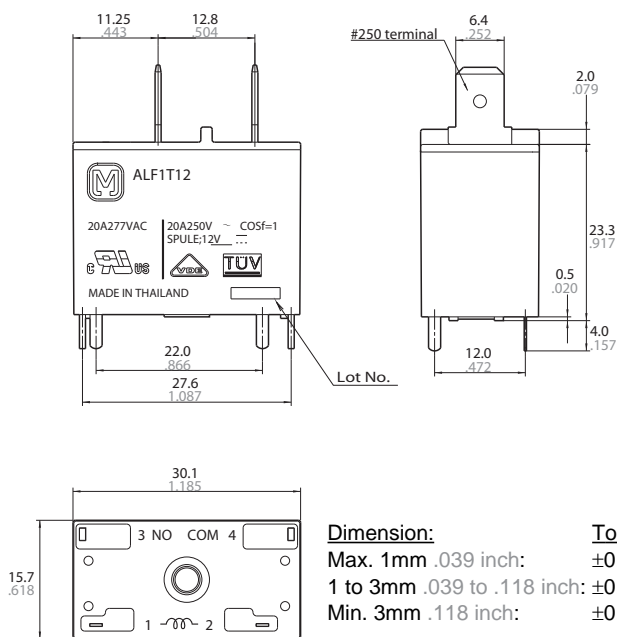
Nominal voltage, V DC	Pick-up voltage, V DC (max.)	Drop-out voltage, V DC (min.)	Coil resistance, $\Omega(\pm 10\%)$	Nominal operating current, mA ( $\pm 10\%$ )	Nominal operating power, W	Maximum allowable voltage, V DC
5	3.5	0.5	27.8	180	0.9	5.5
6	4.2	0.6	40	150		6.6
9	6.3	0.9	90	100		9.9
12	8.4	1.2	160	75		13.2
18	12.6	1.8	360	50		19.8
24	16.8	2.4	640	37.5		26.4

## DIMENSIONS (mm inch)

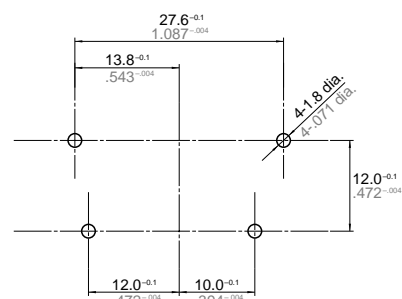
Download [CAD Data](#) from our Web site.

### 1. TMP type

[CAD Data](#)

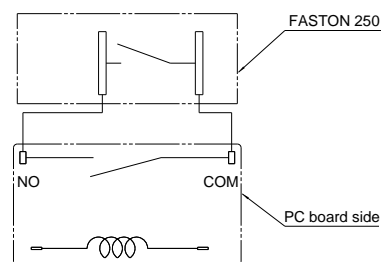


### PC board pattern (Bottom view)



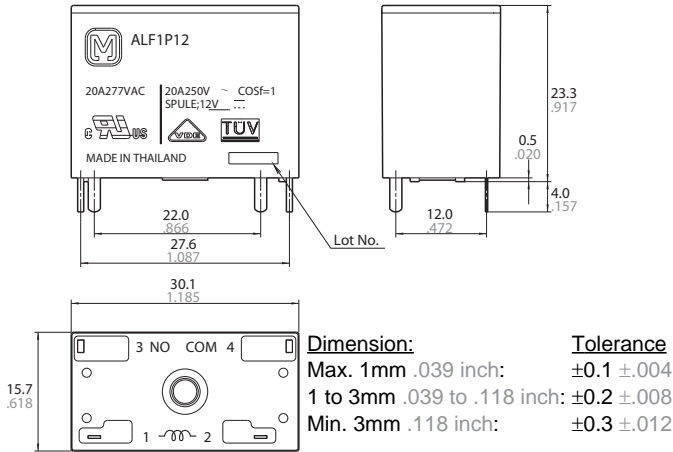
Tolerance: ±0.1 ±.004

### Schematic (Bottom view)

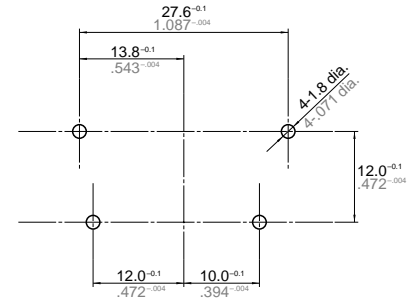


## 2. PCB type

CAD Data

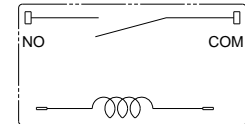


## PC board pattern (Bottom view)



Tolerance:  $\pm 0.1 \pm .004$

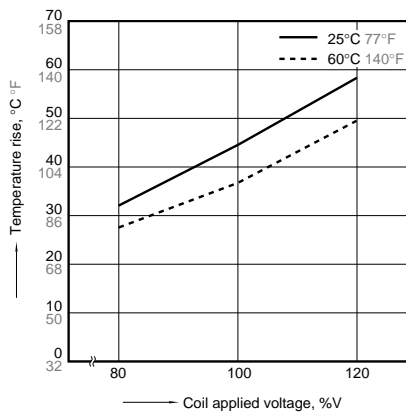
## Schematic (Bottom view)



## REFERENCE DATA

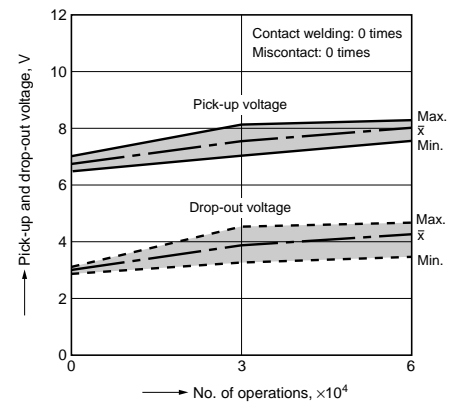
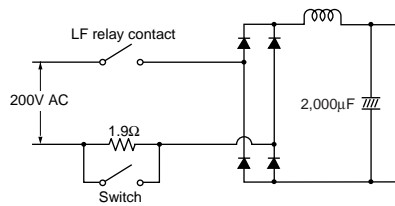
### 1. Coil temperature rise

Sample: ALF1T12, 6 pcs.  
 Point measured: coil inside  
 Contact current: 20A  
 Ambient temperature: 25°C 77°F, 60°C 140°F



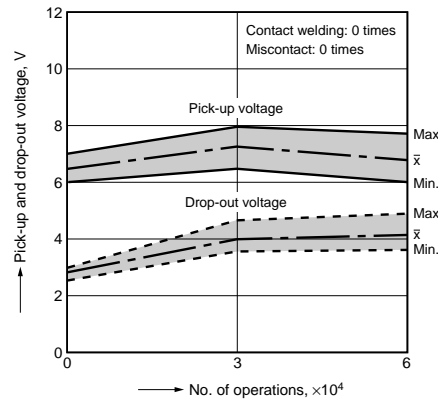
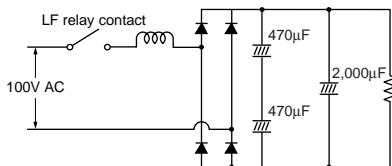
### 2-(1). 200V AC electrical life test

(200V AC, inverter load)  
 Sample: ALF1T12, 6 pcs.  
 Load: Inrush 102A (wave peak value),  
 Steady 14.4A (wave peak value)  
 Inverter dummy 200V AC  
 Switching frequency: ON 1s, OFF 5s  
 Circuit:



### 2-(2). 100V AC electrical life test

(100V AC, inverter load)  
 Sample: ALF1T12, 6 pcs.  
 Load: Inrush 224A (wave peak value),  
 Steady 30.5A (wave peak value)  
 Inverter dummy 100V AC  
 Switching frequency: ON 1s, OFF 5s  
 Circuit:



# LF (ALF)

2-(3). Inrush 70.7A, Steady 20A, 250V AC  
electrical life test (Compressor dummy load)

Sample: ALF1T12, 3 pcs.

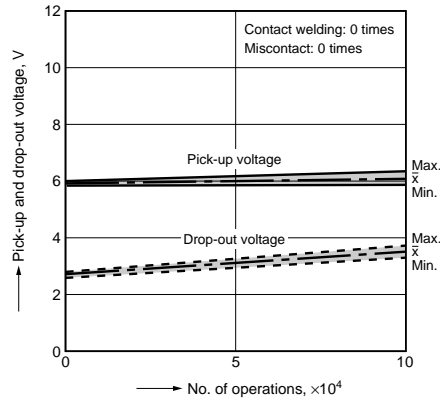
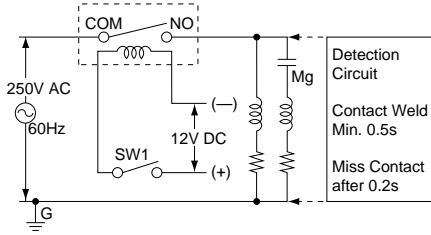
Load: Inrush 70.7A,  $\cos\phi = 0.7$

Steady 20A,  $\cos\phi = 0.9$

250V AC compressor dummy

Switching frequency: ON 1.5s, OFF 1.5s

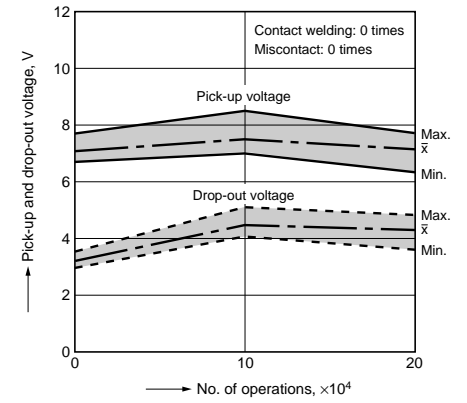
Circuit:



2-(4). Electrical life test  
(20A 250V AC, resistive load)

Sample: ALF1T12, 6 pcs.

Switching frequency: ON 1.5s, OFF 1.5s



## SAFETY STANDARDS

UL/C-UL (Recognized)		VDE (Certified)		TV rating (UL/CSA)		TÜV (Certified)	
File No.	Contact rating	File No.	Contact rating	File No.	Rating	File No.	Rating
E43028	25A 277V AC 20A 277V AC	40009169	20A 250V AC ( $\cos\phi=1.0$ )	UL E43028	TV-8	B 08 06 13461 246	20A 250V AC ( $\cos\phi=1.0$ )

\* CSA standard: Certified by C-UL

For Cautions for Use, see [Relay Technical Information](#).

## X-ON Electronics

Largest Supplier of Electrical and Electronic Components

*Click to view similar products for [General Purpose Relays category](#):*

*Click to view products by [Panasonic manufacturer](#):*

Other Similar products are found below :

[APF30318](#) [JVN1AF-4.5V-F](#) [PCN-105D3MHZ](#) [5JO-10000S-SIL](#) [5JO-1000CD-SIL](#) [5JO-400CD-SIL](#) [LY2S-AC220/240](#) [LYQ20DC12](#)  
[6031007G](#) [6131406HQ](#) [6-1393099-3](#) [6-1393099-8](#) [6-1393122-4](#) [6-1393123-2](#) [6-1393767-1](#) [6-1393843-7](#) [6-1415012-1](#) [6-1419102-2](#) [6-](#)  
[1423698-4](#) [6-1608051-6](#) [6-1608067-0](#) [6-1616170-6](#) [6-1616248-2](#) [6-1616282-3](#) [6-1616348-2](#) [6-1616350-1](#) [6-1616350-8](#) [6-1616358-7](#) [6-](#)  
[1616359-9](#) [6-1616360-9](#) [6-1616931-6](#) [6-1617039-1](#) [6-1617052-1](#) [6-1617090-2](#) [6-1617090-5](#) [6-1617347-5](#) [6-1617353-3](#) [6-1617801-8](#) [6-](#)  
[1617802-2](#) [6-1618107-9](#) [6-1618248-4](#) [M83536/1-027M](#) [CX-4014](#) [MAHC-5494](#) [MAVCD-5419-6](#) [703XCX-120A](#) [7-1393100-5](#) [7-1393111-7](#)  
[7-1393144-5](#) [7-1393767-8](#)