

TD4S-L

CATALOG LISTING

PAGE 1 OF 1

ISSUE 2

REVISIONS

A 0000692  
JLH  
JUN03

CHECK

CHECK

CHECK

CHECK

CHECK

CHECK

CHECK

CHECK

CHECK

CHECK

CHECK

CHECK

CHECK

CHECK

REPLACES X90053-TD

RELEASE NO. DR-4230

CHECK

CHECK

CHECK

CHECK

CHECK

CHECK

CHECK

CHECK

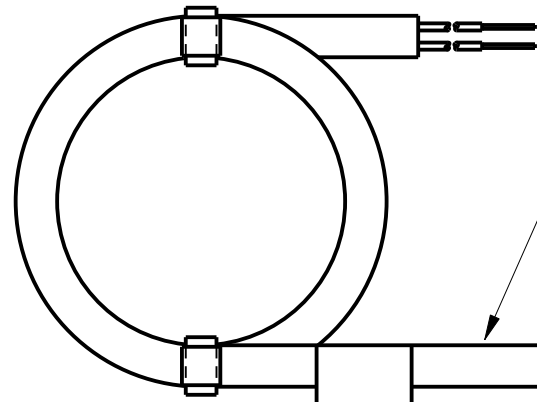
CHECK

CHECK

CHECK

CHECK

CHECK



CABLE: BELDEN 9320 OR EQUIV.  
.216 O.D.  
SHIELDED TWIN LEAD  
LENGTH: 3 FT. FROM  
EXIT OF PROBE

STRAIN RELIEF: HEYCO PART  
NUMBER 3237  
MATERIAL: PLASTIC-BLACK  
OPERATING TEMPERATURE  
LIMITS: -30 TO +100°C

THREADS: 1/4-18 NPTF  
(6 THREADS MIN)

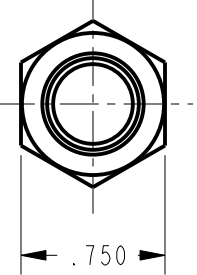
ENCAPSULATION MATERIAL IS  
A THERMALLY CONDUCTIVE EPOXY

RTV OVERCOAT APPLIED TO  
INSULATE INTERCONNECT  
PRIOR TO ENCAPSULATION

PROBE MATERIAL: TYPE 303 STAINLESS

2.00

Ø .415



.750

NIFE TEMPERATURE SENSOR CHIP SPECIFICATIONS  
GENERAL DESCRIPTION: AN INTEGRATED CIRCUIT CONSISTING OF A NIFE THIN FILM RESISTANCE ELEMENT WITH A LASER TRIMMED SERIES LADDER

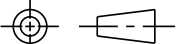
INTERCHANGEABILITY  
(PACKAGE CHIP & 1mA MAX CURRENT)

TEMPERATURE	RESISTANCE (OHMS)
-30°C (-22°F)	1649±11 (1.7°C)
-20°C (-4°F)	1715±10 (1.5°C)
-10°C (14°F)	1784±9 (1.3°C)
0°C (32°F)	1854±8 (1.1°C)
+10°C (50°F)	1926±6 (0.8°C)
+20°C (68°F)	2000±5 (0.7°C)
+30°C (86°F)	2076±5 (0.7°C)
+40°C (104°F)	2153±6 (0.8°C)
+50°C (122°F)	2233±7 (0.9°C)
+60°C (140°F)	2314±9 (1.1°C)
+70°C (158°F)	2397±10 (1.2°C)
+80°C (176°F)	2482±12 (1.4°C)
+90°C (194°F)	2569±14 (1.6°C)
+100°C (212°F)	2658±16 (1.8°C)

EQUATION FOR COMPUTING RESISTANCE:  
 $R_T = R_0 + (3.84 \times 10^{-3} \times R_0 \times T) + (4.94 \times 10^{-6} \times R_0 \times T^2)$   
 $R_T$  = RESISTANCE AT TEMPERATURE T  
 $R_0$  = RESISTANCE AT 0°C  
T = TEMPERATURE IN °C

THIS DRAWING COVERS A PROPRIETARY ITEM AND IS THE PROPERTY OF MICRO SWITCH, A DIVISION OF HONEYWELL. THIS DRAWING IS NOT TO BE COPIED OR USED WITHOUT THE APPROVAL OF MICRO SWITCH

THIRD ANGLE PROJECTION



CHARACTERISTICS

ELECTRICAL DATA

SCALE FULL

OPERATING FORCE  
DIFFERENTIAL FORCE  
RELEASE FORCE  
PRETRAVEL  
DIFFERENTIAL TRAVEL  
OVERTRAVEL  
FREE POSITION

CONTACT ARRANGEMENT

DO NOT SCALE PRINT  
UNLESS OTHERWISE SPECIFIED TOLERANCES ARE  
ONE PLACE (.0) ±.030  
TWO PLACE (.00) ±.015  
THREE PLACE (.000) ±.005  
ANGLES ±

WEIGHT

ANSI Y14.5M-1982 APPLIES

PTC/CAD 2D

DRAWN

JLH

25JUN03

SAV

25JUN03

CHECK

CHECK

CHECK

CHECK

CHECK

CHECK

CHECK

CHECK

## X-ON Electronics

Largest Supplier of Electrical and Electronic Components

*Click to view similar products for [Industrial Temperature Sensors](#) category:*

*Click to view products by [Honeywell](#) manufacturer:*

Other Similar products are found below :

[590-32AC34-103-WRI](#) [590-59CN02-103](#) [A1004SG22P0](#) [HEL-736-U-2-36](#) [G9864ST22F0](#) [HEL-717-U-0-24-00](#) [R-8203](#) [519-39AW09-245](#)  
[519-39CH01-295](#) [521-43BC01-202](#) [535-34AE08-303](#) [512-32AQ01-503](#) [521-33AG04-303](#) [521-53BR01-503](#) [E52P6DY4M](#) [535-34AE09-222](#)  
[590-32AC34-103](#) [590-32AD05-103](#) [3MS1 00211280](#) [E52-P6DY 2M](#) [A1004SX22P0](#) [E52-P20C-N D=8](#) [E52-THE5A 100-200 2M](#) [T200-C32-](#)  
[M14-C](#) [HRTS-5760-B-T-0-18](#) [IOT-9CLT](#) [IOT-9CLT-2](#) [IOT-9CLT-8](#) [LTPCTGA20MBSIBX01](#) [LTPCTFA30MBSITX01](#)  
[LTPCTFA20MBSIDX01](#) [LTPCTAA20MDSIEX01](#) [BB-HS-104T2505402](#) [NCP81255MNTXG](#) [HEL-707-T-1-24-00](#) [HEL-716-U-0-24-00](#) [A-](#)  
[2142](#) [USW2247](#) [R-11614-1](#) [RP103ST22P2](#) [R-10331-3F6](#) [E52-P20AY-D32 4M](#) [89750186](#) [79696038](#) [79696039](#) [A1004AS20T1](#) [JS7352](#) [A-](#)  
[2102](#) [JI-F103WN-L301](#) [JI-F103WN-L252](#)