



# Series 802 Aqua Mouse Submersible Receptacle Ordering Information

802-010 and 802-011



**Jam Nut, Rear Mount**

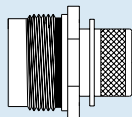
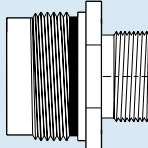
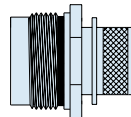
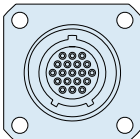
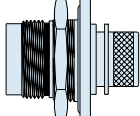


**Square Flange**

**Three Shell Mounting Options:** Jam nut with o-ring for rear panel mounting, square flange for front panel mounting, or in-line receptacles for free-hanging cables.

**Two Shell Styles:** Choose the integral band platform for direct attachment of a cable shield. Install a boot, or overmold a boot over the band platform. An accessory thread is available for attaching strain reliefs and backshells.

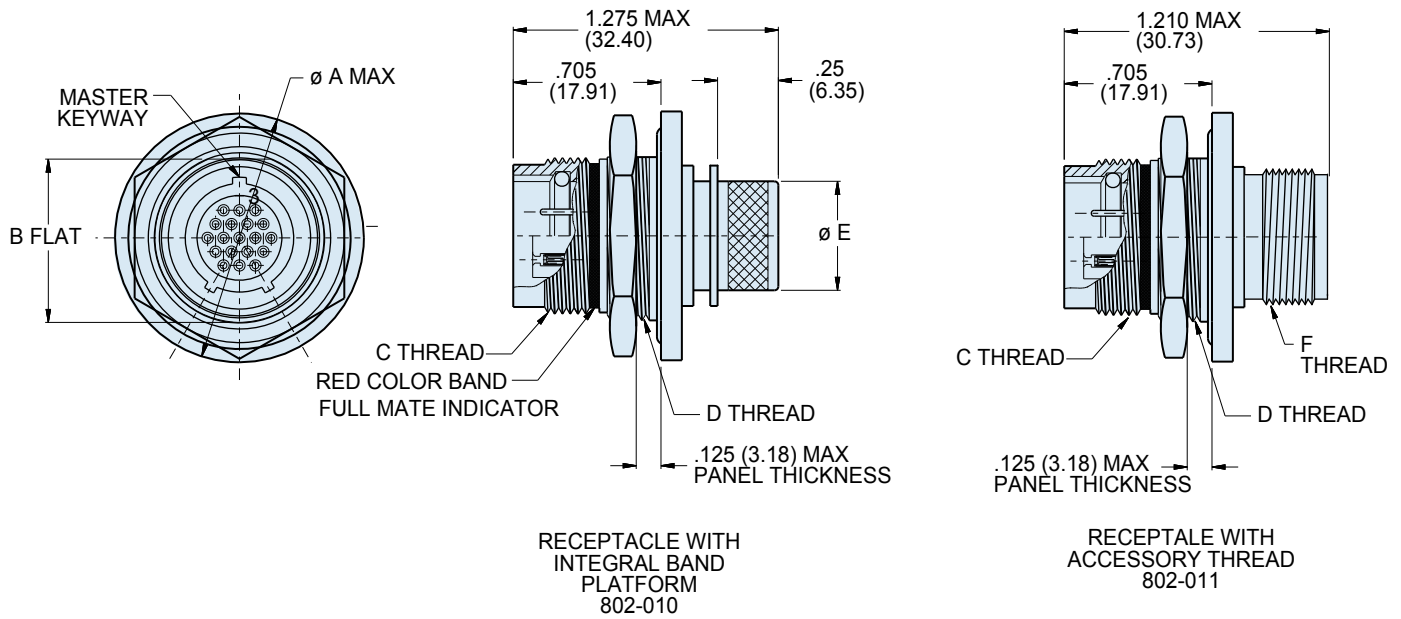
## HOW TO ORDER SERIES 802 CRIMP RECEPTACLES

Sample Part Number					
802-011	-02	Z1	10-26	P	B
Series	Shell Style	Shell Material / Finish	Shell Size- Insert Arrangement	Contact Type	Shell Key Position
 <p><b>802-010</b> Receptacle with Banding Platform</p>  <p><b>802-011</b> Receptacle with Accessory Thread</p>	 <p><b>-01</b> In-Line</p>  <p><b>-02</b> Square Flange</p>  <p><b>-07</b> Jam Nut for Rear Panel Mounting</p>	<p><b>Z1</b> Stainless Steel / Passivated</p> <p><b>ZM</b> Stainless Steel / Electroless Nickel Plated</p> <p><b>AB</b> Marine Bronze / Unplated</p>	<p style="text-align: center;">SEE <b>CONTACT ARRANGEMENTS</b> PAGE E-2</p>	<p><b>Connector supplied with contacts</b></p> <p style="text-align: center;"><b>P</b> Pin</p> <p style="text-align: center;"><b>S</b> Socket</p> <p><b>Connector supplied without contacts</b></p> <p style="text-align: center;"><b>A</b> Pin Connector, less contacts</p> <p style="text-align: center;"><b>B</b> Socket Connector, less contacts</p> <p>Connectors with contacts are supplied with signal and/or power crimp contacts. These contacts are not installed.</p> <p>Coaxial contacts and non-standard signal contacts are ordered separately.</p>	<p style="text-align: center;"><b>A</b> Normal</p> <p style="text-align: center;"><b>B</b> Pos. B</p> <p style="text-align: center;"><b>C</b> Pos. C</p> <p style="text-align: center;"><b>D</b> Pos. D</p>

Dimensions in inches (millimeters) and are subject to change without notice.

# Series 802 Aqua Mouse Submersible Jam Nut Receptacle Connector Dimensions

802-010-07 and 802-011-07

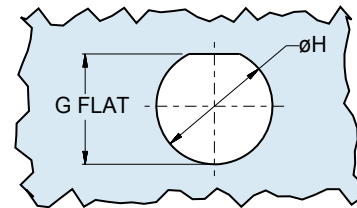
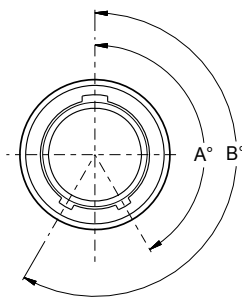


## DIMENSIONS

Shell Size	A Max.		B Flat		C Mating Threads	D Jam Nut Threads	Ø E		F Accessory Threads	G Flat		Ø H	
	In.	mm.	In. ±.003	mm. ±0.08			In.	mm.		In. ±.002	mm. ±0.05	In. ±.005	mm. ±0.13
5	.885	22.48	.466	11.84	.438-28 UNEF	.500-32 UN-2A	.232	5.90	.2500-32 UNEF-2A	.473	12.01	.510	12.95
6	1.010	25.65	.591	15.01	.562-20 UN	.625-28 UN-2A	.312	7.92	.3125-32 UNEF-2A	.603	15.32	.635	16.13
7	1.072	27.23	.653	16.59	.625-20 UN	.687-28 UN-2A	.375	9.53	.4375-28 UNEF-2A	.662	16.81	.698	17.73
8	1.135	28.83	.716	18.19	.687-20 UN	.750-28 UN-2A	.438	11.13	.5000-28 UNEF-2A	.714	18.14	.760	19.30
9	1.195	30.35	.778	19.76	.750-20 UNEF	.812-28 UN-2A	.500	12.70	.5625-24 UNEF-2A	.785	19.94	.822	20.88
10	1.260	32.00	.827	21.01	.812-20 UNEF	.875-28 UN-2A	.562	14.27	.6250-24 UNEF-2A	.835	21.21	.885	22.48
12	1.322	33.58	.890	22.61	.875-20 UNEF	.938-28 UN-2A	.656	16.66	.6875-24 UNEF-2A	.899	22.83	.948	24.08
14	1.510	38.25	1.077	27.36	1.062-20 UN	1.125-28 UN-2A	.812	20.62	.8750-20 UNEF-2A	1.085	27.56	1.135	28.83
15	1.572	39.93	1.140	28.96	1.125-20 UN	1.188-28 UN-2A	.885	22.40	.9375-20 UNEF-2A	1.155	29.34	1.198	30.43
21	1.940	49.28	1.464	37.19	1.4375-20 UN	1.500-28 UN-2A	1.188	30.18	1.2500-20 UNEF-2A	1.473	37.41	1.510	39.12

## SERIES 802 RECEPTACLE KEY POSITIONS

Key Position	Key Rotation	
	A°	B°
Normal (A)	150°	210°
B	75°	210°
C	95°	230°
D	140°	275°

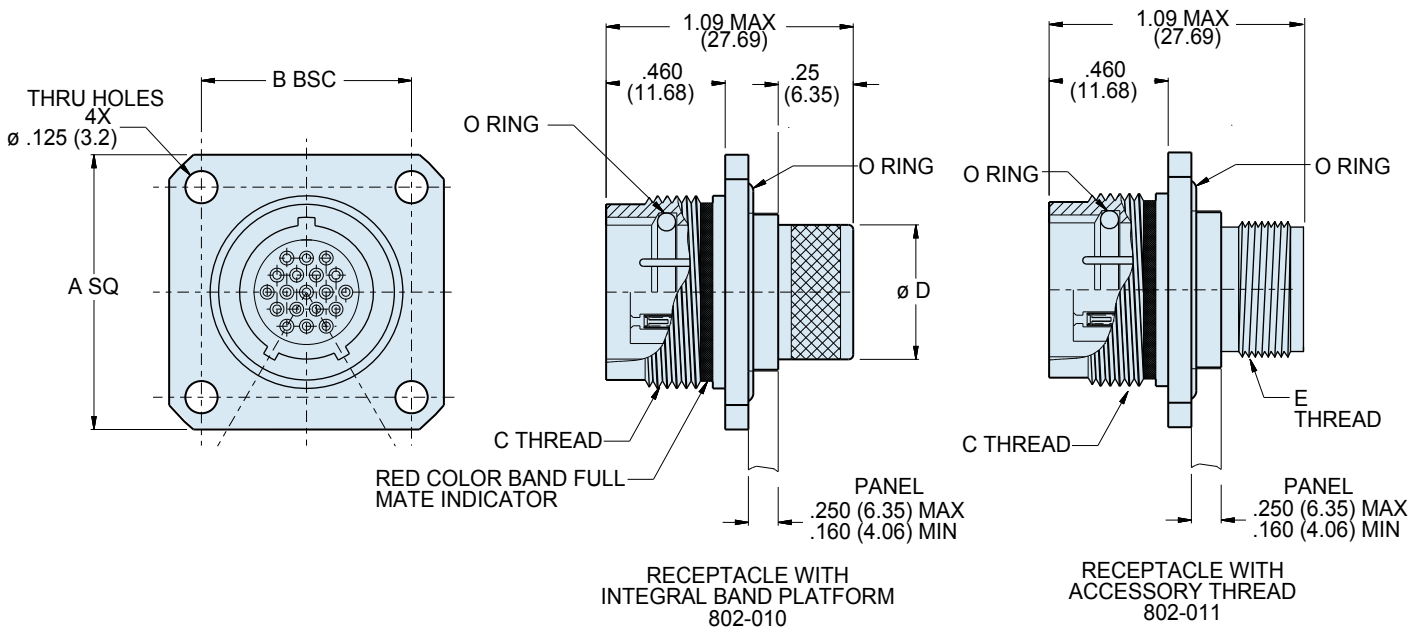


RECOMMENDED PANEL CUTOUT

Dimensions in inches (millimeters) and are subject to change without notice.

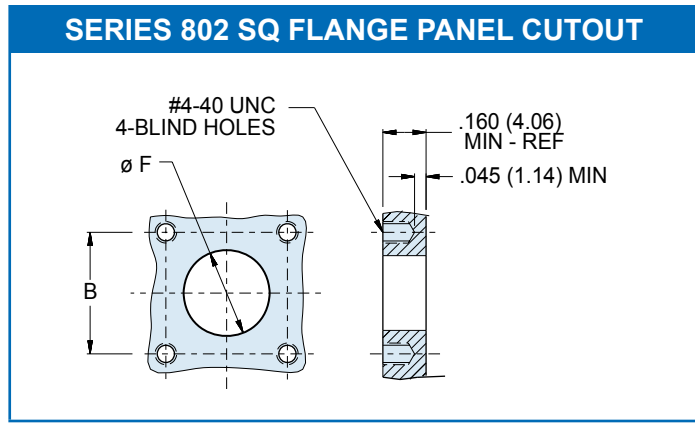


# Series 802 Aqua Mouse Submersible Square Flange Receptacle Connector Dimensions 802-010-02 and 802-011-02



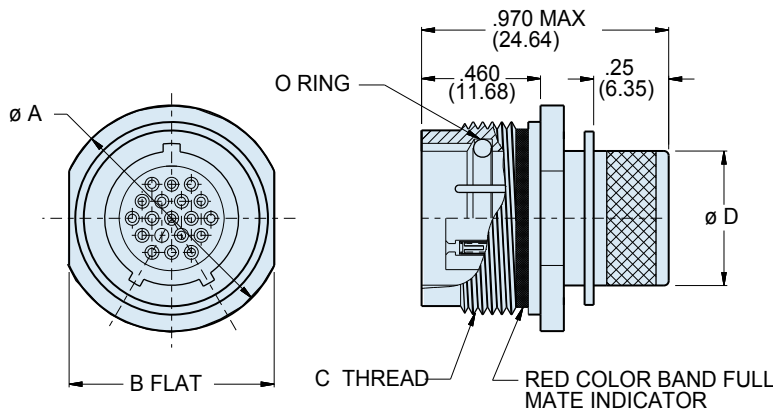
DIMENSIONS										
Shell Size	A Square		B Bsc.		C Mating Threads	Ø D		E Accessory Threads	Ø F	
	In.	mm.	In.	mm.		In.	mm.		In.	mm.
5	.885	22.48	.500	12.70	.438-28 UNEF	.232	5.90	.2500-32 UNEF-2A	.327	8.31
6	1.010	25.65	.625	15.88	.562-20 UN	.312	7.92	.3125-32 UNEF-2A	.390	9.91
7	1.072	27.23	.688	17.48	.625-20 UN	.375	9.53	.4375-28 UNEF-2A	.515	13.08
8	1.135	28.83	.750	19.05	.687-20 UN	.438	11.13	.5000-28 UNEF-2A	.577	14.66
9	1.195	30.35	.812	20.62	.750-20 UNEF	.500	12.70	.5625-24 UNEF-2A	.640	16.26
10	1.260	32.00	.875	22.23	.812-20 UNEF	.562	14.27	.6250-24 UNEF-2A	.702	17.83
12	1.322	33.58	.938	23.83	.875-20 UNEF	.656	16.66	.6875-24 UNEF-2A	.765	19.43
14	1.510	38.25	1.125	28.58	1.062-20 UN	.812	20.62	.8750-20 UNEF-2A	.953	24.21
15	1.573	39.95	1.188	30.18	1.125-20 UN	.885	22.40	.9375-20 UNEF-2A	1.015	25.78
21	1.750	44.45	1.375	34.93	1.4375-20 UN	1.188	30.18	1.2500-20 UNEF-2A	1.312	33.32

SERIES 802 RECEPTACLE KEY POSITIONS		
Key Position	Key Rotation	
	A°	B°
Normal (A)	150°	210°
B	75°	210°
C	95°	230°
D	140°	275°

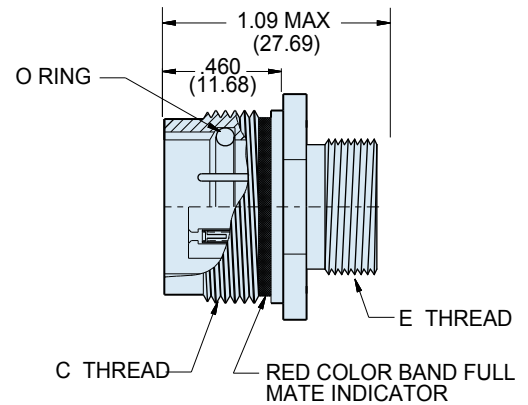


Dimensions in inches (millimeters) and are subject to change without notice.

# Series 802 Aqua Mouse Submersible In-Line Receptacle Connector Dimensions 802-010-01 and 802-011-01



IN-LINE RECEPTABLE WITH  
INTEGRAL BAND PLATFORM  
802-010



IN-LINE RECEPTABLE WITH  
ACCESSORY THREAD  
802-011

DIMENSIONS								
Shell Size	Ø A		B Flats		C Mating Threads	Ø D		E Accessory Threads
	In.	mm.	In.	mm.		In.	mm.	
<b>5</b>	.560	14.22	.500	12.70	.438-28 UNEF	.232	5.90	.2500-32 UNEF-2A
<b>6</b>	.720	18.29	.625	15.88	.562-20 UN	.312	7.92	.3125-32 UNEF-2A
<b>7</b>	.780	19.81	.688	17.48	.625-20 UN	.375	9.53	.4375-28 UNEF-2A
<b>8</b>	.860	21.84	.750	19.05	.687-20 UN	.438	11.13	.5000-28 UNEF-2A
<b>9</b>	.930	23.62	.812	20.62	.750-20 UNEF	.500	12.70	.5625-24 UNEF-2A
<b>10</b>	1.000	25.40	.875	22.23	.812-20 UNEF	.562	14.27	.6250-24 UNEF-2A
<b>12</b>	1.060	26.92	.938	23.83	.875-20 UNEF	.656	16.66	.6875-24 UNEF-2A
<b>14</b>	1.250	31.75	1.125	28.58	1.062-20 UN	.812	20.62	.8750-20 UNEF-2A
<b>15</b>	1.320	33.53	1.188	30.18	1.125-20 UN	.885	22.40	.9375-20 UNEF-2A
<b>21</b>	1.690	42.93	1.562	39.67	1.4375-20 UN	1.188	30.18	1.2500-20 UNEF-2A

SERIES 802 RECEPTACLE KEY POSITIONS		
Key Position	Key Rotation	
	A°	B°
Normal (A)	150°	210°
B	75°	210°
C	95°	230°
D	140°	275°

Dimensions in inches (millimeters) and are subject to change without notice.

CAGE Code 06324

Printed in U.S.A.

**GLENAIR, INC. • 1211 AIR WAY • GLENDALE, CA 91201-2497 • 818-247-6000 • FAX 818-500-9912**

www.glenair.com

**E-9**

E-Mail: sales@glenair.com

Rev. 01-JANUARY-2010

## X-ON Electronics

Largest Supplier of Electrical and Electronic Components

*Click to view similar products for [Circular MIL Spec Connector](#) category:*

*Click to view products by [Glenair](#) manufacturer:*

Other Similar products are found below :

[89075GULPR](#) [0025-262-542](#) [0025-264-3014](#) [58-570121-04S](#) [0134-213-1208](#) [0134-213-2209](#) [0025-258-000](#) [60-042022-07P](#) [60-042022-19P](#)  
[60-042022-23P](#) [60-042217-10P](#) [60-042217-11P](#) [0114-201-1278](#) [012-0467-000](#) [602GB06EG24-61SN](#) [0134-201-1207](#) [0134-213-1006](#) [6104-](#)  
[207-2302](#) [6104-208-1902](#) [61-168211-04P](#) [61-168617-10P](#) [6131-202-19149P](#) [6131-204-21149P](#) [6131-208-13149P](#) [6131-209-17149P](#) [6131-](#)  
[210-11149P](#) [6131-211-19149P](#) [6131-216-19149P](#) [6131-259-21149P](#) [6131-259-23149P](#) [6131-265-17149P](#) [6131-265-19149P](#) [CS3100A18-1P-](#)  
[472](#) [CS3100A-36-77P](#) [CS3101A-16-55P](#) [CS3102A-10SL-55P](#) [CS3102A-14S-58P](#) [CS3102A-18-1P116](#) [CS3102A-32-17P](#) [CS3102A32-25S](#)  
[CS3102C18-4P-472](#) [CS3106A10SL3S004](#) [CS3106A-18-73S](#) [CS3108A-14S-52S](#) [CS3108A-28-51S](#) [6162-233-1277](#) [6162-324-1231](#)  
[M243082296Z](#) [M2884010AC1S1](#) [CT0-24-10SC](#)