



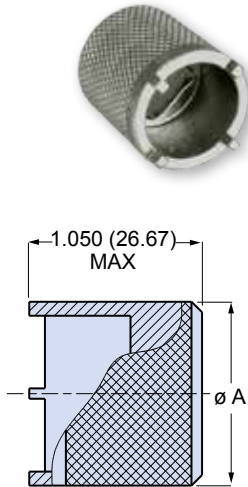
# Accessories and Tools



## 600-192 Spanner Nut and 600-202 Spanner Tool

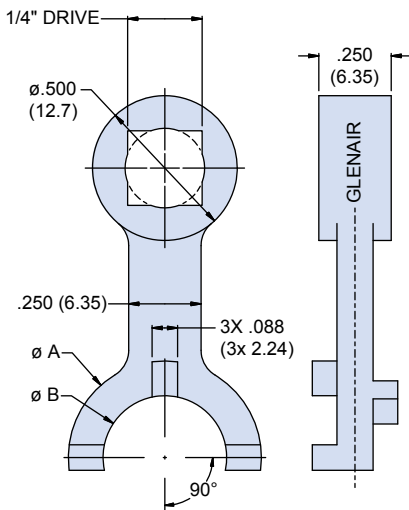
### 600-192 SPANNER NUT TIGHTENING TOOL

Spanner nut tool fits front panel mount or rear panel mount jam nuts. Heat-treated steel, nickel plated.



| Shell Size | Spanner Tool Part Number  | Ø A  |       | Drive Square | Recommended Torque (In-Lbs.) |     |
|------------|---------------------------|------|-------|--------------|------------------------------|-----|
|            |                           | In.  | mm.   |              | Min                          | Max |
| B          | <a href="#">600-192-B</a> | .412 | 10.46 | 3/16"        | 8                            | 13  |
| C          | <a href="#">600-192-C</a> | .432 | 10.97 | 3/16"        | 13                           | 18  |
| D          | <a href="#">600-192-D</a> | .451 | 11.46 | 1/4"         | 13                           | 18  |
| E          | <a href="#">600-192-E</a> | .471 | 11.96 | 1/4"         | 13                           | 18  |
| F          | <a href="#">600-192-F</a> | .491 | 12.47 | 1/4"         | 16                           | 21  |
| G          | <a href="#">600-192-G</a> | .510 | 12.95 | 1/4"         | 16                           | 21  |
| H          | <a href="#">600-192-H</a> | .549 | 13.94 | 1/4"         | 20                           | 25  |
| J          | <a href="#">600-192-J</a> | .589 | 14.96 | 1/4"         | 20                           | 25  |
| K          | <a href="#">600-192-K</a> | .608 | 15.44 | 1/4"         | 20                           | 25  |
| L          | <a href="#">600-192-L</a> | .648 | 16.46 | 3/8"         | 23                           | 28  |

### 600-202 SPANNER TOOL FOR FRONT PANEL MOUNT JAMNUT



| Tool Size | Spanner Tool Part Number  | Dimensions |       |       |       |                            | Recommended Torque Value in Lbs |     |
|-----------|---------------------------|------------|-------|-------|-------|----------------------------|---------------------------------|-----|
|           |                           | Ø A        |       | Ø B   |       | Jam Nut Thd Size Reference | Min                             | Max |
|           |                           | In.        | mm.   | In.   | mm.   |                            |                                 |     |
| B         | <a href="#">600-202-B</a> | 0.572      | 14.53 | 0.332 | 8.43  | M7.0                       | 8                               | 13  |
| C         | <a href="#">600-202-C</a> | 0.590      | 14.99 | 0.350 | 8.89  | M7.5                       | 13                              | 18  |
| D         | <a href="#">600-202-D</a> | 0.610      | 15.49 | 0.370 | 9.40  | M8.0                       | 13                              | 18  |
| E         | <a href="#">600-202-E</a> | 0.629      | 15.98 | 0.389 | 9.88  | M8.5                       | 13                              | 18  |
| F         | <a href="#">600-202-F</a> | 0.647      | 16.43 | 0.407 | 10.34 | M9.0                       | 16                              | 21  |
| G         | <a href="#">600-202-G</a> | 0.667      | 16.94 | 0.427 | 10.85 | M9.5                       | 16                              | 21  |
| H         | <a href="#">600-202-H</a> | 0.705      | 17.91 | 0.465 | 11.81 | M10.5                      | 20                              | 25  |
| J         | <a href="#">600-202-J</a> | 0.745      | 18.92 | 0.505 | 12.83 | M11.5                      | 20                              | 25  |
| K         | <a href="#">600-202-K</a> | 0.763      | 19.38 | 0.523 | 13.28 | M12.0                      | 20                              | 25  |
| L         | <a href="#">600-202-L</a> | 0.803      | 20.40 | 0.563 | 14.30 | M13.0                      | 23                              | 28  |

Spanner nut tool fits front panel mount jam nuts. Alloy steel, nickel plated.

E

## X-ON Electronics

Largest Supplier of Electrical and Electronic Components

*Click to view similar products for* [Circular MIL Spec Tools, Hardware & Accessories](#) *category:*

*Click to view products by* [Glenair](#) *manufacturer:*

Other Similar products are found below :

[809-199-3](#) [001104](#) [300 04](#) [600-006-16](#) [600-079-06](#) [M10-101982-143](#) [M10-101982-163](#) [M10-101983-183](#) [M10-150912-083](#) [M10-454396-008](#) [602GB18808](#) [M225201-06](#) [M24758-20E21](#) [M2887610-BC](#) [M2887615-CD](#) [M38999/9-19B](#) [62GB-812-10](#) [630A007NF083A](#) [630B007M051A](#) [630BJ003NF032H](#) [637-149NF04B](#) [M39029/29-215](#) [650FS002NF16](#) [M81969-14-02](#) [660-008NF14S7-01](#) [660-009M22H8-03](#) [660-013NF19U6-210](#) [660-015M10S6-17](#) [660-015NF10S5-01](#) [660-015NF14R3.5-01](#) [660-023NF19H6-19](#) [660-024N09S5-104](#) [660-024NF11S12-01](#) [660-024NF11S3-01](#) [660-050XM17F4-01](#) [660-068NF25R6-30G](#) [660-070M23S8-04](#) [660-073MTCH9-20](#) [M83723/60-116RC](#) [M83723/61-18W](#) [M83723/61-218R](#) [M83723/61-224W](#) [667-224NF16](#) [M85049/118S22A](#) [M85049/126S11N](#) [M85049130-07M](#) [M85049140-09BC](#) [M85049/41-16A W/B](#) [687-697NF-1](#) [M85049/75-14-1](#) [M8504980-8](#)