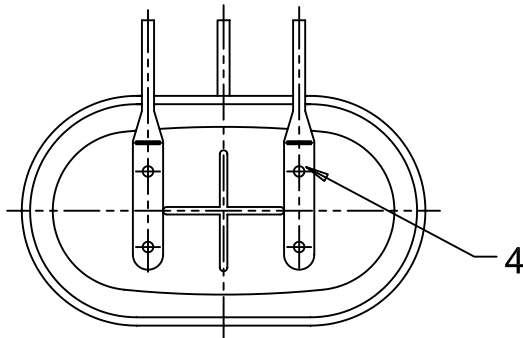
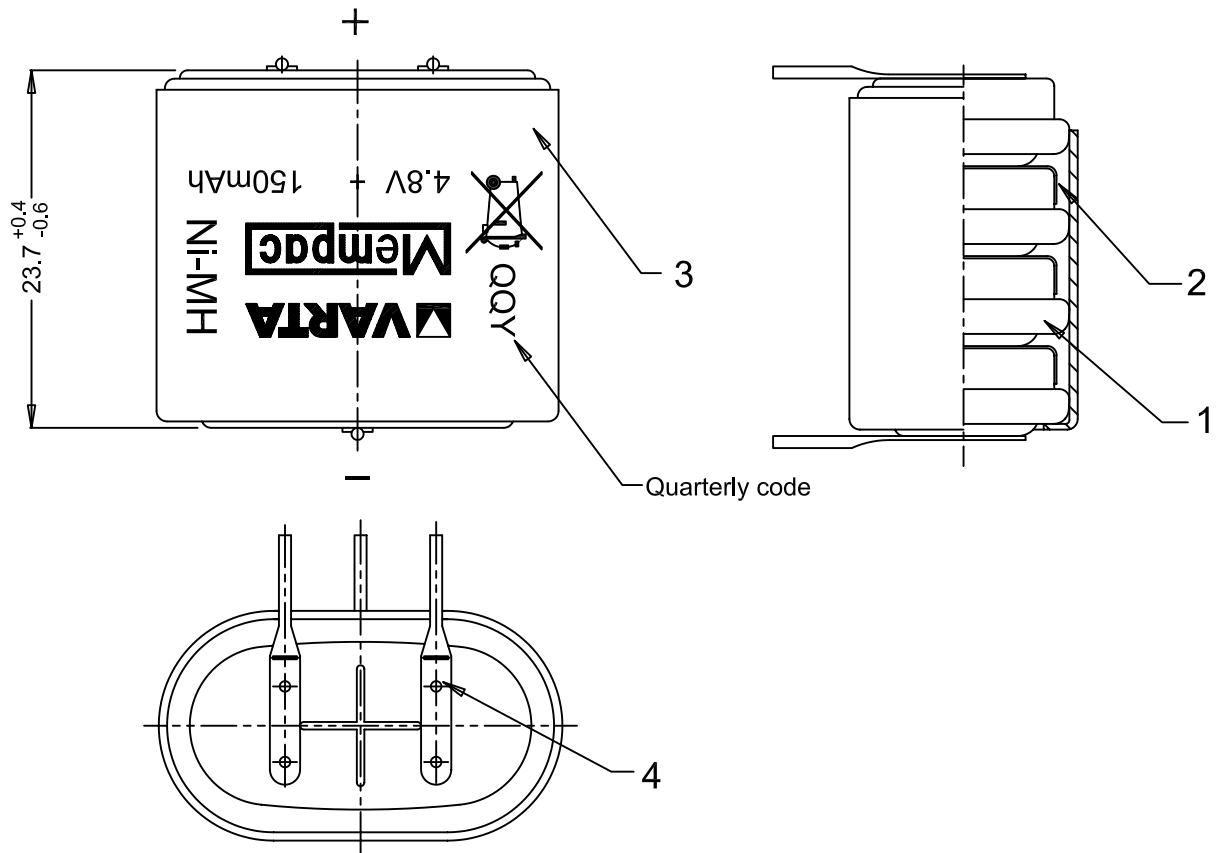
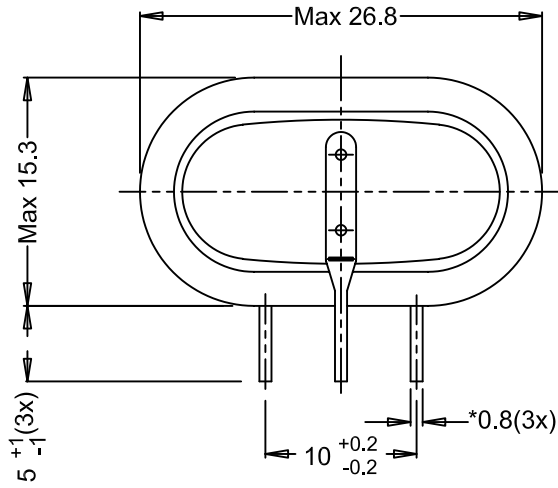


This is controlled document.  
 Hardcopy to be endorsed by authorized person.  
 Check with Issuing Officer or SAP system for latest update.



Note: \*Dimensions for reference only

Approx. wt : 25 g

No	AO No	Revisions	Date	Name
3	R218/08	Add cross wheeled bin	2008-04-17	Syamsul
2	R001/04	Change code from 4 digit to 3 digit	2004-01-02	Tutik
1	R36/03	Terminal pin change to use Flatten model	2002-08-22	TitisWS

<b>Projection:</b>		<b>Material:</b> Refer to part list no: 063707		<b>Description:</b> 4/V150H battery with casing & terminal pin		
<b>Dimensions in mm</b>		<b>Prepared &amp; Checked</b> 2001-02-20 Yeni		<b>Verified &amp; Approved</b>		<b>Dwg. No:</b> 063707
<b>Tolerance:</b> As specified		<b>Scale:</b> 2 : 1		<b>VKB Order No:</b> 55615 604 940		

Rights reserved to make technical changes, as a result of further development, without notice. This drawing is the property of VARTA Microbattery and must not be copied or disclosed to a third party without the written consent of VARTA Microbattery.



## X-ON Electronics

Largest Supplier of Electrical and Electronic Components

*Click to view similar products for [varta](#) manufacturer:*

Other Similar products are found below :

[56456 702 099](#) [18750](#) [4114 210 501](#) [4610 726 406](#) [4122 210 511](#) [LCD-CHARGER + 4XAA 2400MAH](#) [449915B](#) [4607 726 406](#)  
[55171403014](#) [55625603059](#) [55615602940](#) [4112101411](#) [4 022 211 111](#) [4 106 101 436](#) [4 020 211 111](#) [MINI CHARGER + 2XAA 2100MAH](#)  
[MINI-CHARGER](#) [17730](#) [LCD-SMART-CHARGER](#) [414086X](#) [POCKET-CHARGER + 4XAA 2100MAH](#) [458980A](#) [LCD MULTI](#)  
[CHARGER](#) [CG511-150-PB](#) [EE UNIVERSAL CHARGER](#) [CG401D-050-PB](#) [CG511-050-PB](#) [CU303-018-PB](#) [CG381D-G-100-PB](#) [413675G](#)  
[CU202-030-PB](#) [55615603059](#) [CG381D-G-150-PB](#) [CG481G-050-PB](#) [CU303-030-PB](#) [CG511D-030-PB](#) [CA317-PB](#) [CG511D-100-PB](#)  
[CU201G-B-030-PB](#) [095668F](#) [4600 726 406](#) [CG511-030-PB](#) [CA418-PB](#) [CG481G-030-PB](#) [CG511D-150-PB](#) [CG381D-G-050-PB](#) [CU302-](#)  
[030-PB](#) [CG341-030-PB](#) [CU201G-B-050-PB](#) [CA089-PB](#)